



ASR2LED/B/CCT



Features

Shallow depth IP65 polycarbonate 2-In-1 LED bulkhead for external applications

Internal CCT selector switch allows the installer to choose the CCT between 3000K and 4000K

Supplied with both plain and louvred eyelid covers

Exceeds performance of 18W PLC

LED lifespan L70 56,000 hours

Non-dimmable

General Information

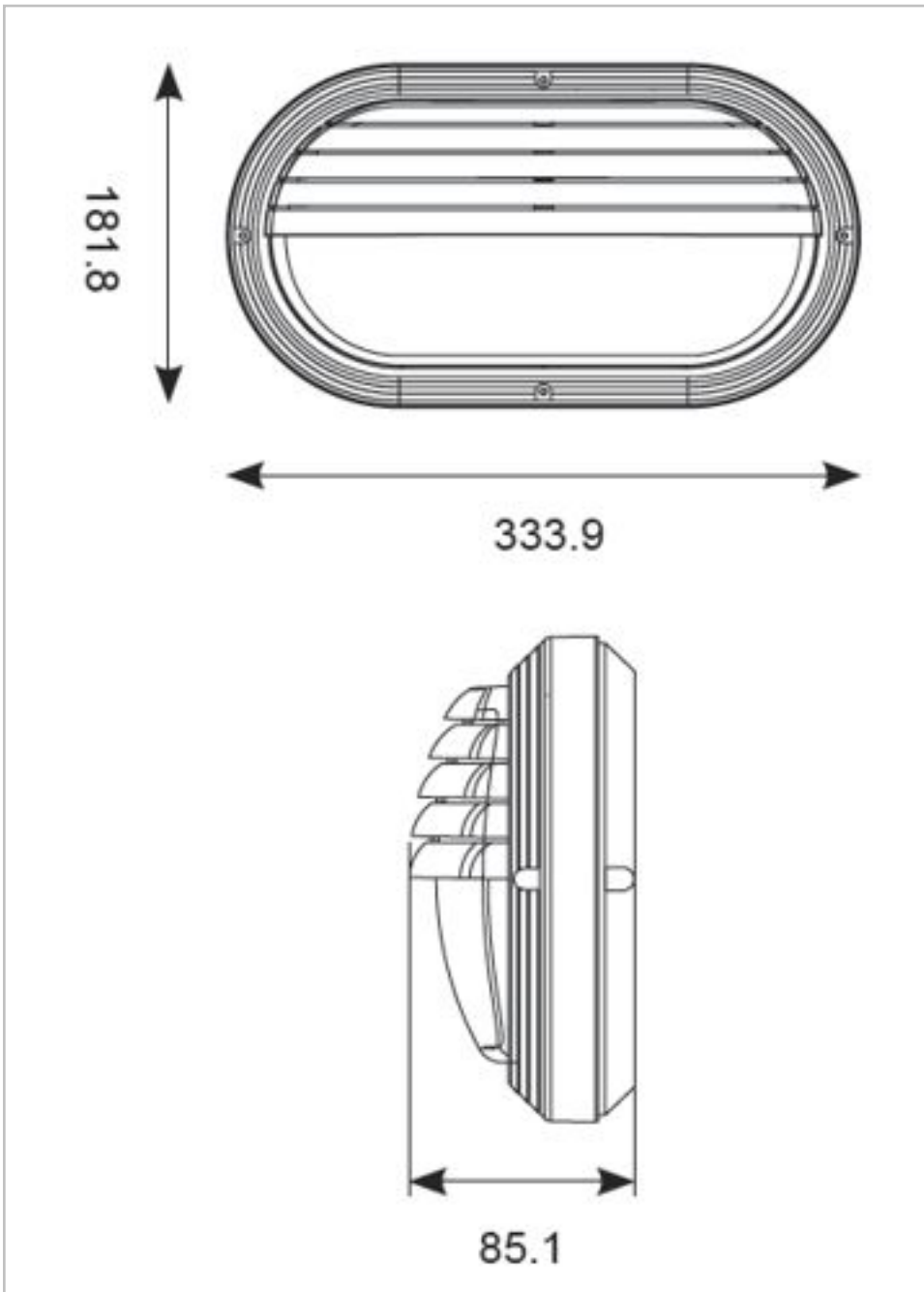
Lamp Type	LED
Colour / Finish	Black
IP Rating	IP65
Class Protection	2
Internal / External	External
Surface / Recessed / Suspended	Surface
Warranty (Years)	2
CE Mark	Yes
Width (mm)	333.9
Height (mm)	181.8
Depth (mm)	85.1

Technical Information

Wattage	8W
Lumens Delivered	721lm (Cool White), 662lm (Warm White)
Lm/W	90lm (Cool White), 83lm (Warm White)
CRI	Ra 80
CCT	3000/4000K
Input	230V
Hertz	50/60Hz
Operating Temp	0°C to 25°C

Technical Data - ETIM - Ceiling-/wall luminaire (EC002892)

Suitable for wall mounting	Yes
Suitable for suspended mounting	No
Suitable for ceiling mounting	Yes
Suitable for built-in mounting	No
Suitable for surface mounting	Yes
With light source	Yes
Suitable for number of lamps	1
Material housing	Plastic
Colour housing	Black
Nominal voltage	230-230 V
Control gear included	Yes
No dim function	Yes
Degree of protection (IP)	IP65
Protection class	II
Suitable for emergency lighting	No
With movement sensor	No
With light sensor	No
Max. system power	8 W
Colour of light	White
Colour temperature	3000-4000 K
Colour rendering index CRI	80-89
Width	181.8 mm
Height/depth	85.1 mm
Length	333.9 mm



Datasheet generated from <https://onetimepim.com> last updated Monday, September 6, 2021 1:52:12 PM