



AEDELED10/CW/PIR



Features

Compact and economic aluminium LED floodlight

Only suitable for semi commercial applications

10W ideal for halogen replacement

Bracket design allows installation without removing mounting bracket

PIR versions complete with manual override facility

Pre-wired with 1 metre of rubber insulated cable for ease of installation

Cool white and warm white options available

LED lifespan L90 36,000 hours

Non-dimmable

General Information

Lamp Type	LED
Colour / Finish	Black
IP Rating	IP44
IK Rating	IK06
Class Protection	1
Internal / External	Internal/External
Surface / Recessed / Suspended	Surface
Warranty (Years)	2
CE Mark	Yes
Length (mm)	154
Width (mm)	114
Depth (mm)	55.5

Technical Information

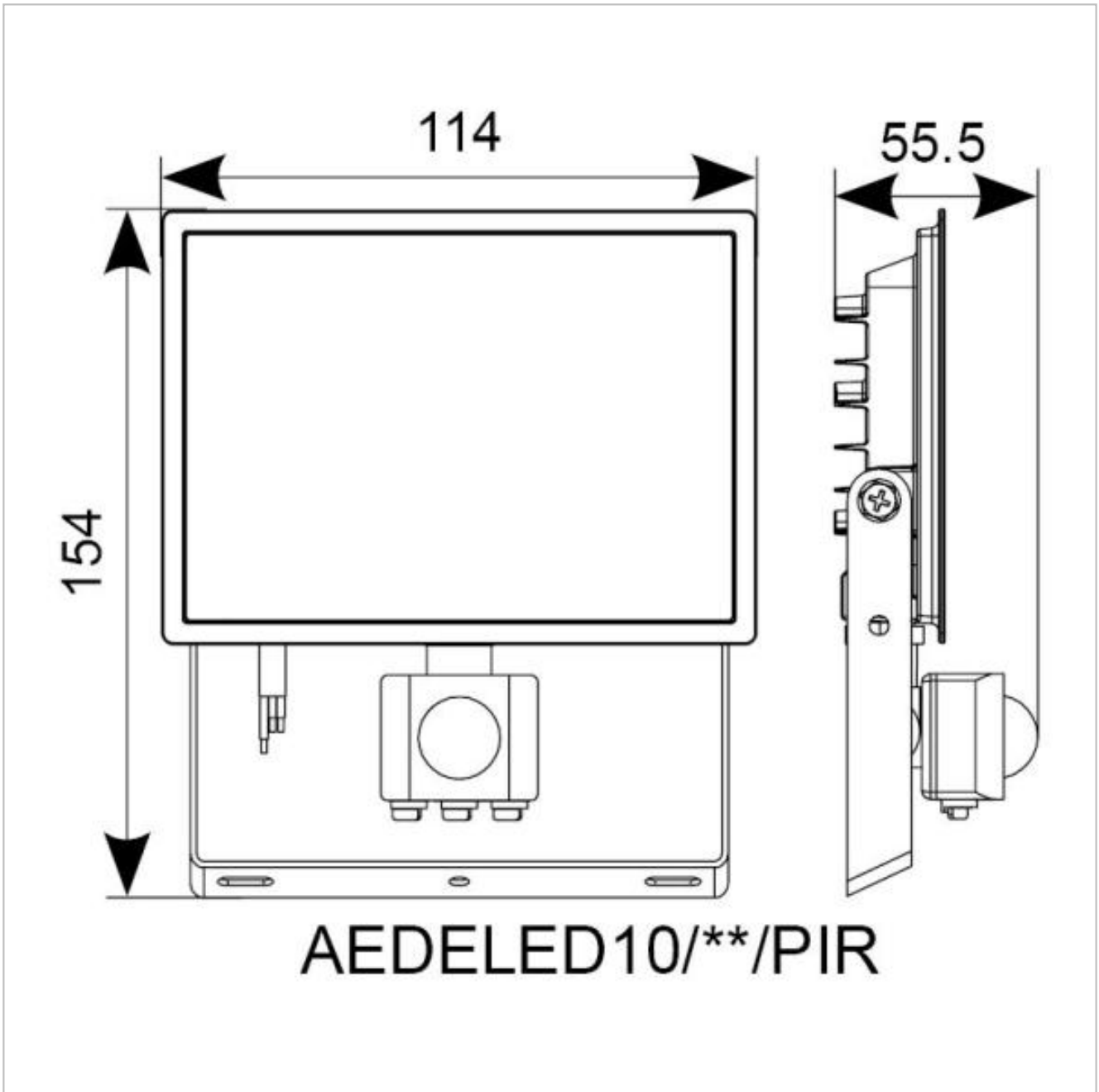
Wattage	10W
Lumens Delivered	953lm
Lm/W	95lm
CRI	Ra 80
CCT	4000K
Input	220-240V
Hertz	50/60hz
Operating Temp	-20 to 40

Technical Data - ETIM - Downlight/spot/floodlight (EC001744)

Suitable for surface mounting	Yes
Suitable for built-in mounting	No
Suitable for wall mounting	Yes
Suitable for suspended mounting	No
Suitable for ceiling mounting	No
Suitable for traverse mounting	No
Suitable for light-track mounting	No
Adjustability	Swivelling
With movement sensor	Yes
With light sensor	No
With light source	Yes
Material housing	Aluminium
Nominal voltage	220-240 V
Control gear included	Yes
No dim function	Yes
Degree of protection (IP)	IP44
Impact strength	IK06
Protection class	I
Max. system power	10 W
Colour of light	White
Colour temperature	4000-4000 K
Colour rendering index CRI	80-89
Rated luminous flux acc. IEC 62722-2-1	953 lm
Lamp efficacy	95 lm/W
Width	55.5 mm

Height/depth 154 mm

Length 114 mm



Datasheet generated from <https://onetimepim.com> last updated Monday, September 6, 2021 1:24:23 PM