



## AAZCLED150



# Features

Marine grade construction ideal for coastal and adverse weather, swimming pool and chemical plant applications

High purity aluminium construction, surface electrophoresis and corrosion-proof treatment

Concentrated saline 3000 hour salt spray test to EN ISO 9227

316L stainless steel mounting bracket and fixings

Suitable for highly corrosive environments; including coastal and swimming pool applications

High output, high efficiency floodlight

Pre-installed breathable gland prevents internal moisture accumulation

High specification IP66, IK08 ratings

120° beam angle

150W exceeds performance of 250W HQI-TS

Pre-wired with 1.5 metre of rubber insulated cable for ease of installation

LED lifespan L80 B10 54,000 hours

## General Information

<b>Lamp Type</b>	LED
<b>IP Rating</b>	IP66
<b>IK Rating</b>	IK08
<b>Class Protection</b>	1
<b>Internal / External</b>	External
<b>Surface / Recessed / Suspended</b>	Surface
<b>Warranty (Years)</b>	5
<b>CE Mark</b>	Yes
<b>Width (mm)</b>	260
<b>Height (mm)</b>	360
<b>Depth (mm)</b>	67

# Technical Information

---

**Wattage** 150W

---

**Lumens Delivered** 21750lm

---

**Lm/W** 145lm

---

**CRI** Ra 70

---

**CCT** 5000K

---

**Input** 230V

---

**Hertz** 50/60Hz

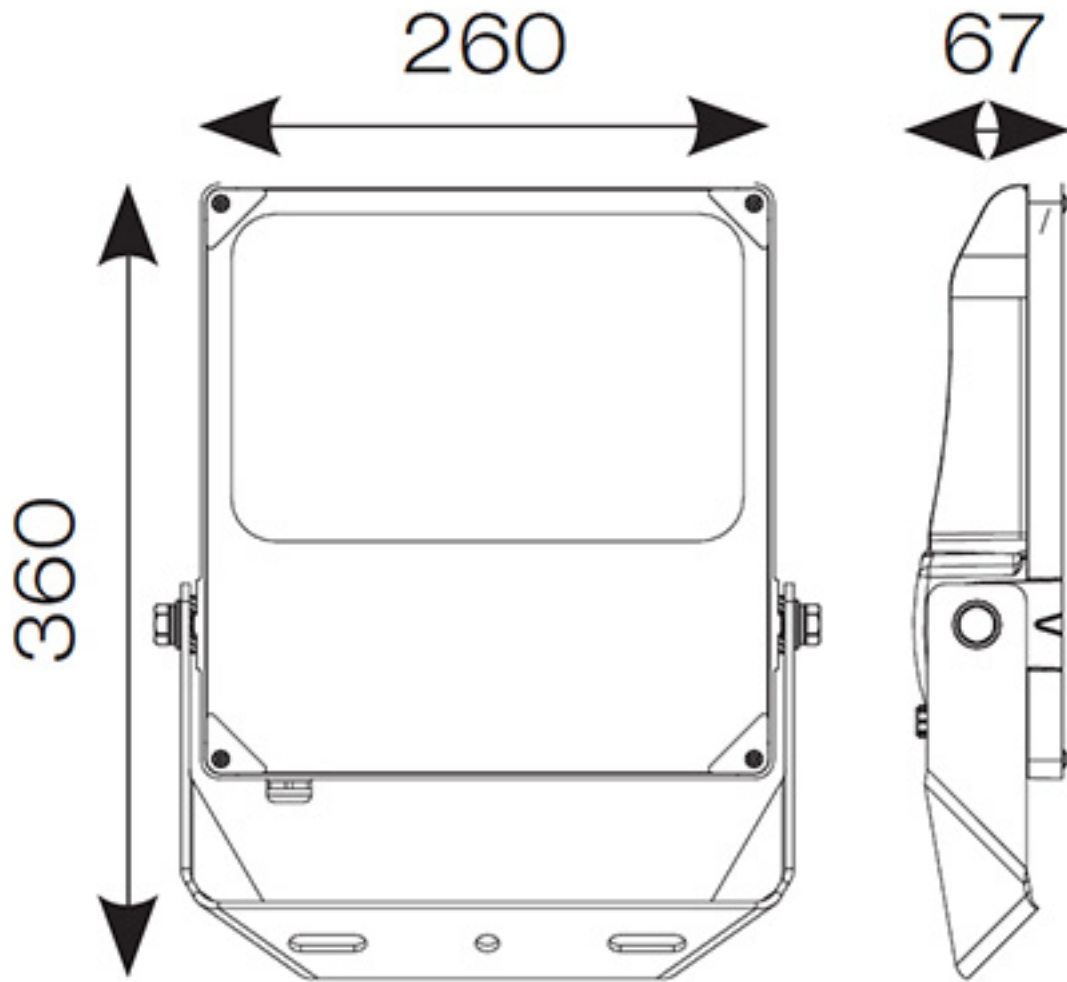
---

**Operating Temp** -30°C to 50°C

---

Datasheet generated from <https://onetimepim.com> last updated Monday, December 6, 2021 3:17:37 PM





AAZCLED150