

Maltby Solar Garden Spike Lights

Item ref: 42058

User Manual

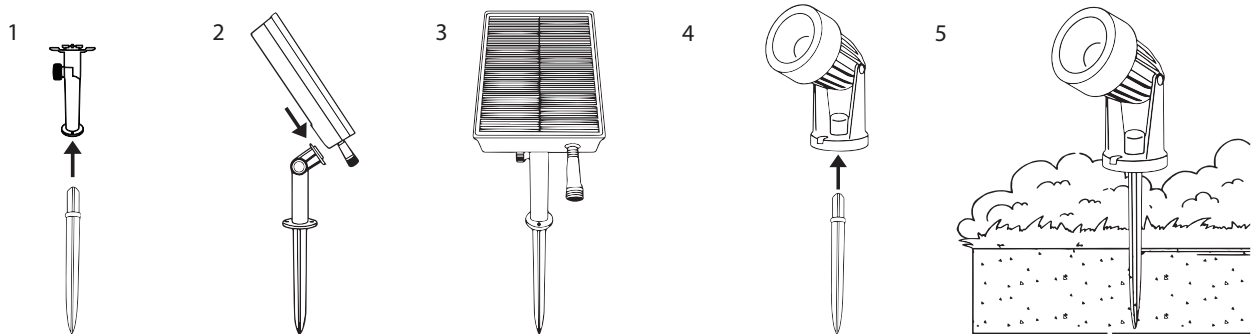


- Suitable for OUTDOOR USE ONLY - IP65 rated
- Easy to install, no wiring necessary
- Recharges batteries using solar energy
- Automatically charges in sunlight

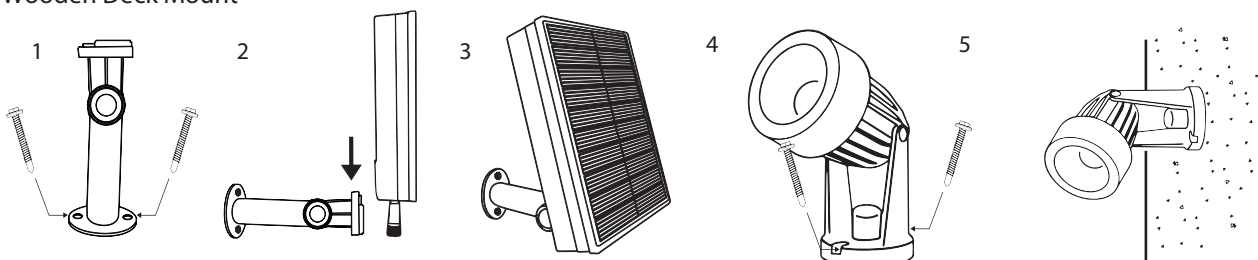
Installation

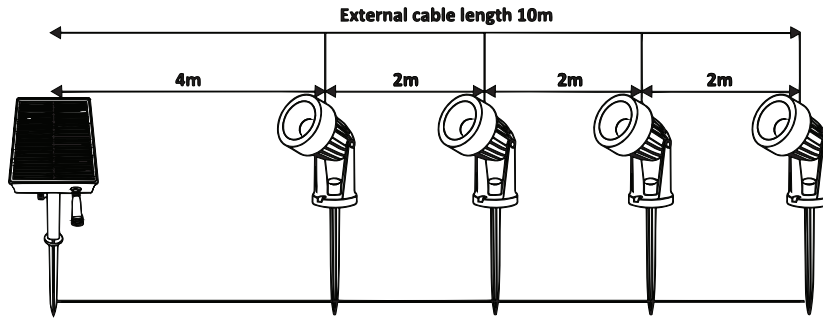
- When using for the first time, the solar light needs to charge in full sunlight for a full day. The battery needs to be fully charged/discharged once per month. For best performance and battery life, do not store for prolonged periods.
- Ensure the light is positioned in a bright sunny location where it will receive maximum sunlight. Ideally, in a position where it is free from cover and not in a shaded area. Lack of sunlight will affect charge times and operation.
- Avoid other light sources such as street lamps that may cause the solar lights to flicker on and off.

Ground Mounting



Wooden Deck Mount





Remote Control Instructions:



Switch/Reset
8 modes
Brightness adjustment
Timing

- 8 Lighting Flash Modes:**
1. Automatic cycle through modes 2 to 8;
 2. Coloured Light;
 3. Flashing coloured Light;
 4. Fading coloured Light;
 5. Warm White;
 6. Flashing Warm White Light;
 7. Fading Warm White Light;
 8. Alternating Coloured light and Warm White Light;

Specifications:

- Charging Time: 8-10 hours (under enough sunlight)
- Working Time: 9-11 (From Fully Charged)
- Brightness Adjustment: 4 Modes :25% 50% 75% 100%
- Timer: 3hours, 5hours, 8hours or no timer
- Control Distance: 2-5 Meters

Warnings

- Suitable for OUTDOOR USE ONLY
- DO NOT expose this product to direct heat, flames or immerse in water.
- Keep out of reach of children and pets.
- Please retain this information for future reference.
- Do not attempt to connect solar strings end to end.
- The LED's are non-replaceable

Cleaning

- If the solar panel gets dirty the charging capacity will be reduced. Clean panels occasionally with a soft damp cloth.

Troubleshooting

Night runtime is short

The battery is not fully charged. Install the solar light in an area where it can receive the maximum amount of direct sunlight.

Light does not turn on at night

The location is too close to other light sources. Relocate the light away from other light sources.

Made in China for ZINK, Gorse Mill, Gorse Street, Oldham, OL9 9RJ, U.K.

Helpline: 0333 005 0077, Mon-Fri, 9am-5pm.

UK MANUFACTURER / IMPORTER
CASCADE HOLDINGS LTD.
GORSE MILL
GORSE STREET
OLDHAM,
UNITED KINGDOM
OL9 9RJ



EU AUTHORISED REPRESENTATIVE:
AUTHORISED REP COMPLIANCE
GROUND FLOOR
71 LOWER BAGGOT STREET
DUBLIN
IRELAND
D02 P593



Disposal: The "Crossed Wheelie Bin" symbol on the product means that the product is classed as Electrical or Electronic equipment and should not be disposed with other household or commercial waste at the end of its useful life. The goods must be disposed of according to your local council guidelines.