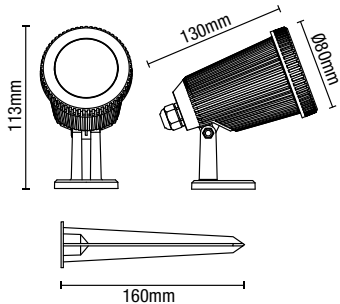




IP44



- Polycarbonate construction
- Corrosion resistant
- Detachable ground spike



WELLS

Dual Mount Ground/Spike Light

0.4M Cable | IP44 Rated | Class 2 | 0.34kg

| Code | Description | Lamp | Dimensions |
|--------------|--------------------|---------------------|-----------------------------|
| CZ-31806-BLK | Wells Ground Light | 1 x 6W Max LED GU10 | Proj:130mm Dia:80mm H:273mm |