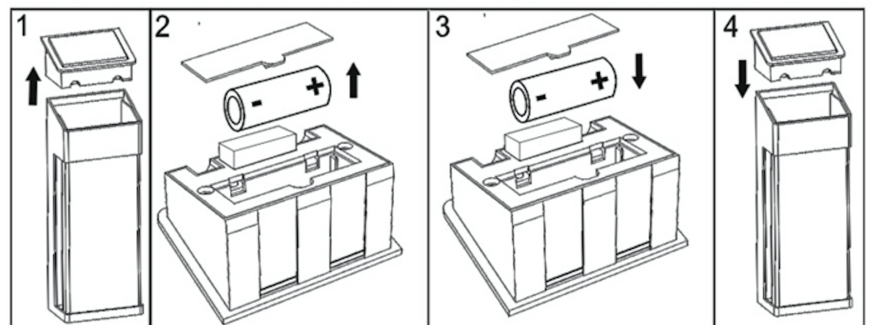
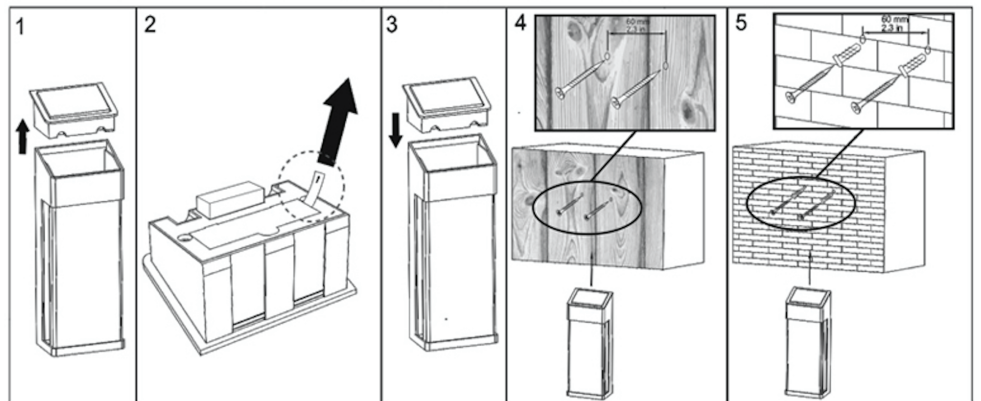


# Wistow Solar LED Wall Lantern

Item ref: 42039

## User Manual



- Suitable for OUTDOOR USE ONLY - IP44 rated
- Easy to install, no wiring necessary
- Recharges batteries using solar energy
- Automatically charges in sunlight

### Installation

- When using for the first time, the solar light needs to charge in full sunlight for 10 to 12 hours. Allow the light to run at least 10 days, charging/discharging to reach the maximum battery capacity. The battery needs to be fully charged/discharged once per month. For best performance and battery life, do not store for prolonged periods.
- Ensure the light is positioned in a bright sunny location where it will receive maximum sunlight. Ideally, in a position where it is free from cover and not in a shaded area. Lack of sunlight will affect charge times and operation.
- Avoid other light sources such as street lamps that may cause the solar lights to flicker on and off.
- Secure the light mount to the wall, using the screws and wall plugs supplied.
- Assembling the lamp:
  1. Remove the solar unit from the lamp body.
  2. Remove the battery tab to activate the battery.
  3. Place the solar unit into the lamp body.
  - 4-5. Hang the lamp using 2 screws. (Holes 60mm apart)
- Battery replacement:
  1. Remove the solar unit from the lamp body.
  - 2-3. Remove the battery cover and replace the used battery with a 1.2V AA 1000 mAh Ni-MH rechargeable battery.
  4. Place the solar unit into the lamp body.

## Warnings

- Suitable for OUTDOOR USE ONLY
- DO NOT expose this product to direct heat, flames or immerse in water.
- Keep out of reach of children and pets.
- The LED's are non-replaceable
- Please retain this information for future reference.

## Battery instructions

- Batteries should be replaced by an adult.
- Different types of batteries or new and used batteries are not to be mixed.
- ONLY use batteries of the same or equivalent type as recommended are to be used.
- Batteries are to be inserted with the correct polarity.
- Exhausted batteries are to be removed from the item.
- The supply terminals are NOT to be short-circuited.
- DO NOT dispose of in fire.
- Battery MUST be recycled or disposed of properly.
- 1pc 1.2V AA 1000 mAh Ni-MH rechargeable battery.

## Cleaning

- If the solar panel gets dirty the charging capacity will be reduced. Clean panels occasionally with a soft damp cloth.

## Troubleshooting

### Night runtime is short

- Solution 1: The battery is not fully charged. Install the solar light in an area where it can receive the maximum amount of direct sunlight.
- Solution 2: The battery has worn out. Replace the old battery. (1 x 1pc 1.2V AA 1000 mAh Ni-MH rechargeable battery.)

### Light does not turn on at night

- Solution 1: The location is too close to other light sources. Relocate the light away from other light sources.
- Solution 2: The battery has worn out. Replace the old battery. (1 x 1pc 1.2V AA 1000 mAh Ni-MH rechargeable battery.)

Made in China for ZINK, Gorse Mill, Gorse Street, Oldham, OL9 9RJ, U.K.

Helpline: 0333 005 0077, Mon-Fri, 9am-5pm.

UK MANUFACTURER / IMPORTER  
CASCADE HOLDINGS LTD.  
GORSE MILL  
GORSE STREET  
OLDHAM,  
UNITED KINGDOM  
OL9 9RJ



EU AUTHORISED REPRESENTATIVE:  
AUTHORISED REP COMPLIANCE  
GROUND FLOOR  
71 LOWER BAGGOT STREET  
DUBLIN  
IRELAND  
D02 P593



Disposal: The "Crossed Wheelie Bin" symbol on the product means that the product is classed as Electrical or Electronic equipment and should not be disposed with other household or commercial waste at the end of its useful life. The goods must be disposed of according to your local council guidelines.