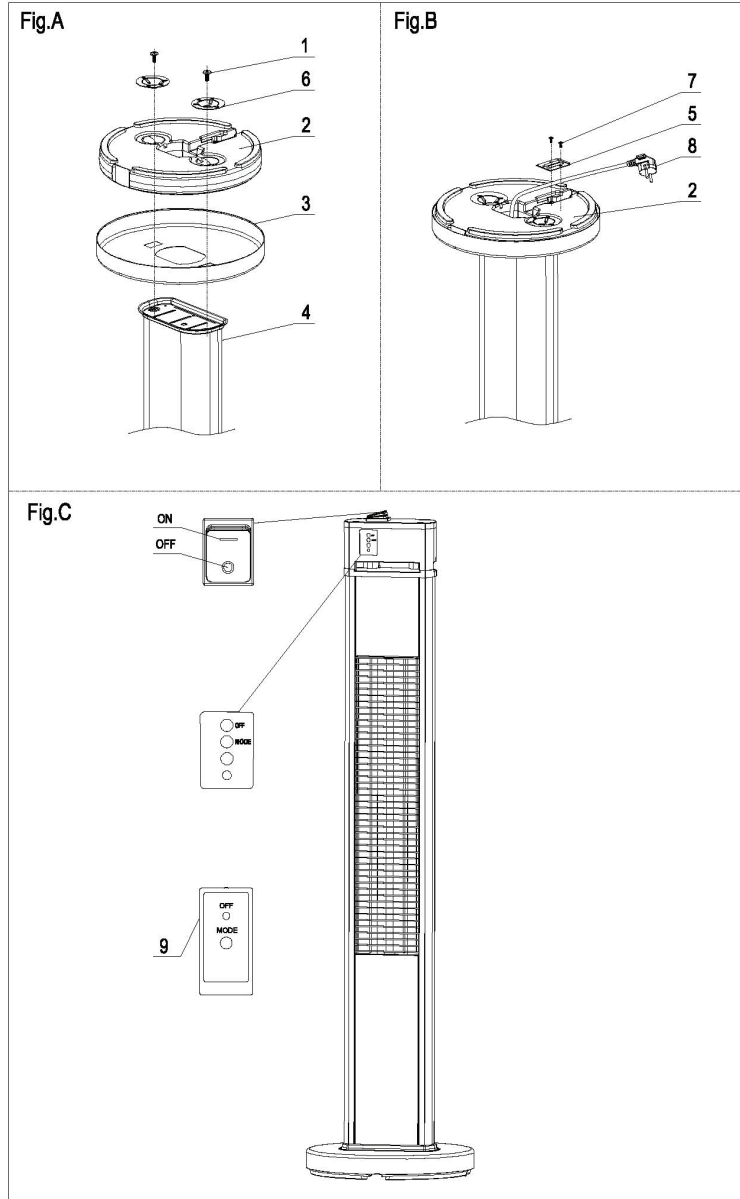




Standing Patio Heater



Instruction Manual

Parts Descriptions:			
No.	Part Name	No.	Part Name
1	Screw M6*50	5	Cord Clip
2	Base	6	Washer
3	Base Cover	7	Screw M4*28
4	Main body	8	Plug

Accessories Pack Check List	
Accessory Name	Qty
Screw M6*50	2
Washer	2
Allen Key	1
Cord Clip	1
Screw M4*28	2

Important Safety Information:

PLEASE read these instructions carefully before installing or using this heater for the first time. The warranty will not cover damage caused by not following these instructions or from misuse.

This infrared heater is designed for safe operation. Nevertheless, installation, maintenance and operation of this appliance can be dangerous if undertaken incorrectly.

Observing the following procedures will reduce the risk of fire, electric shock, and injury. It will also keep installation time to a minimum. Please save these instructions for future reference.

Caution:

Children and vulnerable adults should not, under any circumstances, operate, use, clean or maintain the heater. Some parts of this product can become very hot and cause burns. Children of less than 3 years and other vulnerable people should be kept away from the heater unless continuously supervised.

The unit is at a high temperature during operation. It stays hot for a period after shutdown. Potential injury could occur when touching it during this period.

Assembly and Location:

1. Ensure all packaging materials are removed from the heater prior to connection to the Power supply.
2. The electrical supply to the unit should be provided by connecting to a circuit protected by a fuse or miniature circuit breaker suitable for the electrical rating of the unit. Any plug, sockets and switches intended for use outdoors must have a water IP rating as good as, or better than, the protection rating of this Heater.

IMPORTANT! FOR OUTDOOR USE ONLY!

3. The unit should be plugged into a socket which is easily visible and reachable. The heater must not be located immediately above or in front of the socket outlet.
4. Never leave this heater unattended when it is switched on
5. Do not use this heater with a programmer, timer or any other device that switches the heater on automatically, since a fire risk exists if the heater is covered or positioned incorrectly.
6. Do not use this heater in the immediate surroundings of a bath, a shower or a swimming pool.
7. Do not place the unit close to any flammable objects. Otherwise there will be a danger of catching fire.
8. Do not cover the unit with anything during operation or for a period of time after it's shut down and been allowed to cool.
9. Do not wrap the power supply cord on the unit, and always Keep the power cable away from the hot body of the heater.
10. Do not use this unit in place where causticity or volatile air exists, i.e. dust, steam, gas, etc.
11. Do not use this unit as a clothes drier or towel drier.
12. Do not immerse this unit into water for cleaning.
13. The unit is at high temperature during operation. It stays hot for a period after being switched off. Potential injury would occur when touching it during this period.
14. The unit must be handled with care, it is important to avoid of vibration or Impact damage.
15. The unit must be securely grounded during operation.
16. When damaged, the unit must be repaired by professional qualified person repairing team.
17. If the supply cord or plug is damaged, it must be replaced by the manufacturer, its service agent or similarly qualified persons in order to avoid a hazard.
18. This appliance is not intended for use by persons (including children) with reduced physical, sensory or mental capabilities, or lack of experience and knowledge, unless they have been given supervision or instruction concerning use of the appliance by a person responsible for their safety.
19. The unit is for household use only. It's not allowed to use on a building site, in greenhouses, barns or stables where there is flammable dust.
20. The head of the unit is at high temperature during operation. Unplug the unit and wait till it's cool before cleaning.

WARNING:

This heater is designed for outdoor use only and is not equipped with a device to control room temperature. Do not use this heater in any confined area or space which is occupied by persons not capable of leaving the on their own, unless constant supervision is provided.

Preparation

1. A cross head screw driver.
2. Read this instruction manual carefully before installation and use. Keep this instruction manual and warranty card in a proper and safe place for future use in case needed.

Installation:

1. Put the main body up-side-down (Fig. A). Put the plug (#8) and power supply cord through the holes on the center of Base Cover (#3) and Base (#2). Then slide Base Cover (#3) , Base (#2) and Washer (#6) onto Main body respectively.
2. Fix Washer (#6), Base (#2), Base Cover (#3) with Screw M6*20 (#1). Clip the power supply cord with Cord Clip (#5) and fix it onto Base (#2) with Screw (#7).

Operations:

1. Plug in the unit to a socket. Make sure the power supply is same as rated.
2. Press the switch to "I" on the top of the heater, The indicator light start flashing.
3. Press "MODE" on the control panel or button "MODE" on the remote to switch on or to higher power of the heater, Power setting level 1, level 2, level 3
4. Press OFF button to be standby mode. The indicator light start flashing.
5. Press switch on top of the heater to "O" to cut off the power totally.

Disposal of appliances and batteries



After the implementation of the European Directive 2002/96/EU in the national legal system, the following applies:

Electrical and electronic devices may not be disposed of with domestic waste. Consumers are obliged by law to return electrical and electronic devices at the end of their service lives to the public collecting points set up for this purpose or point of sale. Details to this are defined by the national law of the respective country. This symbol on the product, the instruction manual or the package indicates that a product is subject to these regulations. By recycling, reusing the materials or other forms of utilising old devices, you are making an important contribution to protecting our environment.

Cleaning:

Unplug the unit before cleaning. It should be wiped with wet cloth. Do not use too much water.

Helpline

If you receive this item with parts broken or missing, please telephone:

0333 0050077

Please have ready your name, address, tel. no., product reference, where purchased and parts required. An answering service is in operation outside office hours and during busy periods.

We regret that we are unable to give advice on internal house wiring.

UK MANUFACTURER / IMPORTER
CASCADE HOLDINGS LTD.
GORSE MILL
GORSE STREET
OLDHAM.
UNITED KINGDOM
OL9 9RJ



EU AUTHORISED REPRESENTATIVE:
AUTHORISED REP COMPLIANCE
GROUND FLOOR
71 LOWER BAGGOT STREET
DUBLIN
IRELAND
D02 P593

