

Selecting the correct lightbulb

Identify the correct maximum wattage and type of bulb by referring to the product labelling.

caution: only use a bulb of the same type designation and shape, and of the same or lower Wattage. Low Energy bulbs can be used where available

Allow the lamp to cool for at least 10 minutes before replacing spent bulbs.

Switch on!

You may now switch the electricity back on at the mains.

Cleaning care

Brass and lacquered finishes should be cleaned with a soft, dry cloth only. Do not use polishes or abrasive cloths.

Glass shades with textured finishes, and fabric shades, should be given a light dusting only. Do not immerse in water or cleaning solutions.

Glass shades with smooth finishes should be washed in luke warm water only. Do not use cleaning agents or detergents.

Safety information

For your safety, please remember the following:

Always switch off the supply before removing shades/covers, changing lightbulbs or cleaning.



Bianca 6 Panel Wall Lantern User Instructions

Thank you for selecting this product. It has been thoughtfully designed and carefully manufactured to ensure a high level of reliability and performance.

We strongly recommend that ceiling/wall fittings are installed by a qualified electrician. If, however, you decide to carry out your own installation, please read through these instructions carefully before commencing work, and retain them for future reference.

Please note, the important safeguards and instructions appearing in this leaflet are not meant to cover all possible conditions and situations that may occur. It must be understood that common sense, caution and care are factors which cannot be built into any product and must be supplied by the person installing and caring for the fitting.

Changes to Building Regulations

As of 1 January 2005, changes to the Building Regulations affect domestic electrical installations in England and Wales. You don't need to be a qualified electrician to make changes to your home's electrical system, but the work must be done in accordance with the standards in the Regulations. You do not need to notify your Local Authority if you do **minor** electrical work such as:-

- replacing or repairing a socket, light or cable in any room
- adding extra spurs, sockets or lights to an existing circuit (except in a kitchen, bathroom or outdoors)

However, the work must be done to the standards in the Wiring Regulations and you should consider having the work checked by a competent electrician to make sure it is safe.

Before you start **other** electrical work such as:-

- adding new circuits to your existing installation
- any work (other than repairs / replacements) in a room where there is water (eg. kitchen, bathroom, etc.)
- any work (other than repairs / replacements) outdoors (eg. installing garden lighting or sockets, etc.)

You must **notify** your Local Authority Building Control Department, which has responsibility for ensuring the work is inspected and tested.

Where you have any work done by an electrician who is a member of a competent person self-certification scheme, the electrician will be able to certify the work complies with the Regulations and you do not need to notify your Local Authority.

We recommend that you make yourself aware of the Regulations before you undertake any work and if you require any clarification you should contact your Local Authority Building Control Department.



This product should be disposed of responsibly at the end of its life. Please recycle where facilities exist. Check with your Local Authority or retailer for recycling advice (Waste Electrical and Electronic Equipment Directive)

Helpline

If you receive this item with parts broken or missing, please telephone: **0333 0050077**

Please have ready your name, address, tel. no., product reference, where purchased and parts required. An answering service is in operation outside office hours and during busy periods.

We regret that we are unable to give advice on internal house wiring.

Cascade Holdings Ltd, Gorse Mill, Gorse Street, Chadderton, Oldham. OL9 9RJ

EU Authorised Representative: Authorised Rep Compliance,

Ground Floor, 71 Lower Baggot Street, Dublin, Ireland,

D02P593



Important Safety Information

Do not wire this lantern into the lighting circuit - use a switched fuse spur.

Before installation and servicing, disconnect the electrical supply at the mains.

Carefully observe all instructions or warnings that are labelled on, or supplied with, your product.

This product is suitable for outdoor use.

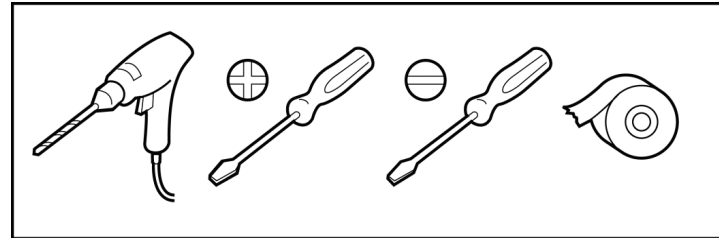
If in any doubt, consult a qualified electrician.

General Information

Do not mount ceiling/wall fittings onto damp surfaces such as newly painted or plastered areas as this may cause discolouration of the finish.

Tools which may be required:

- Drill
- Cross Head Screwdriver
- Small Electrical Slotted Screwdriver
- Insulation Tape



Wall light Fixing instructions

Do not wire this light directly into the lighting circuit - use a switched fuse spur or switch.

This fitting must NOT be earthed. Do not connect to an Earth Wire or Terminal.

Ensure the electricity is turned off at the mains before installing or maintaining any electrical fitting.

Please note: For new installations, check for any electrical cables or pipe work (gas/water) in the vicinity of the intended mounting point for this product, before proceeding with the installation.

1. Existing fittings must be completely removed before installation of a new product. Before removing the existing fitting, carefully note the position of each set of wires.
2. Choose the fixing location. Although these fittings are rust proof and resistant to rain they must not be placed where they will be exposed to constant running water
3. Remove the plastic wall plate from the light by removing the two hexagonal dome nuts. Store them in a safe place.
4. Using the plastic wall plate as a template, mark the position of the wall fixing holes.
5. Drill the mounting holes fit the wall plugs into the holes.
6. Pierce the rubber cable entry grommet and pass the cable through it. You must ensure that the cable entry hole is smooth and that the cable is not damaged when passing through or are in contact with the hole.
7. Ensure the two hexagonal bolts are placed into the recesses in the plastic wall plate and securely fasten the plastic wall plate to the mounting surface by using the screws and wall plugs supplied. Ensure not to trap or strain any cables between the mounting surface and wall plate.
8. Connect the supply cable to the wall plate terminal block using the following colour code for the wiring. Strip approx. 6-8mm insulating part of the wires from the mains supply cable. Connect the BROWN wire to the terminal block marked "L" (Live wire). Connect the BLUE wire to the terminal block marked "N" (Neutral wire).
9. Ensure the connections are tight and that no loose strands are left out of the terminals.
10. Attach the terminal block onto the lugs on the wall plate.

11. Locate the light against the wall plate, allowing the retaining screws to protrude through the holes in the light bracket. Ensure no wires are trapped. Secure the light using a spanner/ pliers to tighten the dome nuts removed at step 3.
12. For Uplight: Place the glass into the lower lantern frame and Push and twist the frame onto the lampholder.
For Downlight: Push and twist the lantern cover to the lampholder.
13. Install the bulb.(Max 42W ES(E27) GLS Bulb - not included)
14. For Uplight: Push and twist the finial onto the lantern cover.
Place the cover on the frame and twist clockwise to lock in place.
For Downlight: Push and twist the finial onto the lantern frame and fill the frame with the glass panels. Offer the frame up to the cover and twist clockwise to lock in position.
15. Installation is complete. Turn on the mains power to test.
16. BULB REPLACEMENT. Switch off the lantern and allow it to cool before touching it.
17. Replace the recommended bulb type - Max 42W ES(E27) GLS Bulb

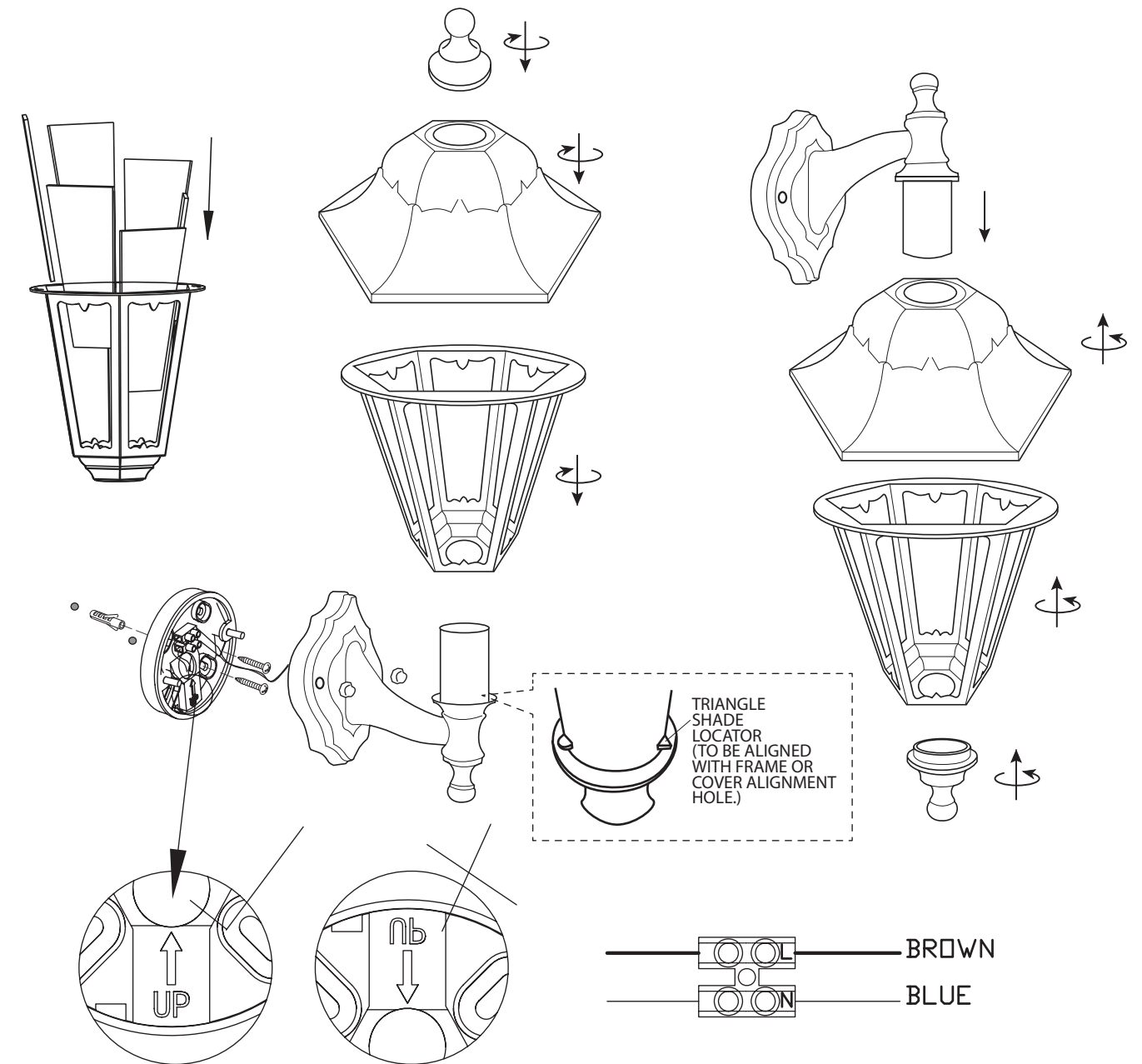


Image shown for illustration purposes only – Lantern may differ from the one shown above