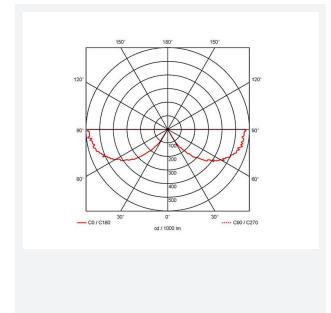
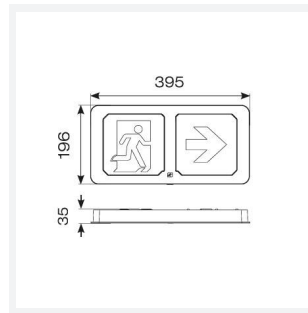




Adler Exit Box

Adler Exit Box Maintained / Non-Maintained
Code: AADLSE/BLK

Category	Emergency
Application	Ancillary, Commercial, Education, Healthcare, Hospitality, Industrial, Retail
Specification	Architectural



PRODUCT FEATURES

- Rotatable legends to reduce waste and increase flexibility
- LiFePO4 Lithium battery provides improved energy consumption, product reliability and lifetime
- 20mm side cable entries, plus rear BESA mounting
- Rotatable legends to reduce waste and increase flexibility
- Self-test emergency as standard
- Available in black and white finishes

GENERAL INFORMATION	
Wattage	2W
Beam Angle	.
CRI	80
CCT	6500K
Input	220/240V
Operating Temp	5°C - 40°C
SDCM	6

TECHNICAL INFORMATION	
Light Source	LED
Colour / Finish	Black
IP Rating	IP20
Class Protection	2
Internal / External	Internal
Surface / Recessed / Suspended	Wall
Lumen Depreciation	L70 54,000h
Warranty (Years)	5
CE Mark	Yes
Height	179 mm
Accessories	ASBP/31/LI

