



@ansell_lighting



ansellighting



Ansell Lighting

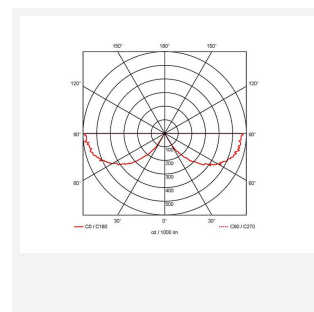
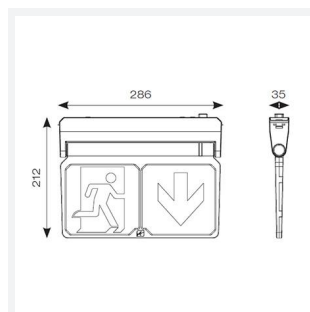
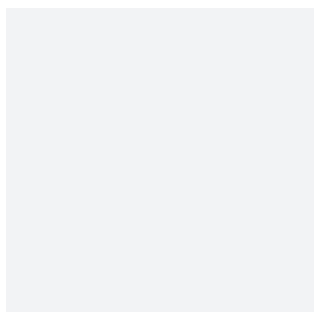
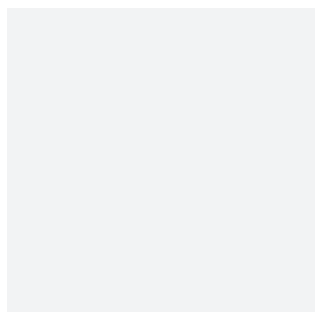


ansell_lighting

Adler Exit Sign

Adler Exit Sign Maintained / Non-Maintained
Code: AADL/3M/BLK

| | |
|---------------|---|
| Category | Emergency |
| Application | Ancillary, Commercial, Education, Healthcare, Hospitality, Industrial, Retail |
| Specification | Architectural |



PRODUCT FEATURES

- Rotatable legends to reduce waste and increase flexibility
- One fitting that enables choice of five different mounting options: Suspension, Recessed, Ceiling surface, Wall surface, Side arm wall mounting
- LiFePO4 Lithium battery provides improved energy consumption, product reliability and lifetime
- Self-test emergency as standard
- Rotatable legends to reduce waste and increase flexibility
- 1 metre suspension cable supplied as standard
- Available in black and white finishes

| GENERAL INFORMATION | |
|---------------------|------------|
| Wattage | 2W |
| CRI | 70 |
| CCT | 6500K |
| Input | 220/240V |
| Operating Temp | 0°C - 40°C |
| SDCM | 6 |

| TECHNICAL INFORMATION | |
|--------------------------------|--|
| Light Source | LED |
| Colour / Finish | Black |
| IP Rating | IP20 |
| Class Protection | 1 |
| Internal / External | Internal |
| Surface / Recessed / Suspended | Ceiling, Recessed, Suspended, Wall |
| Lumen Depreciation | L70 50,000h |
| Warranty (Years) | 5 |
| CE Mark | Yes |
| Height | 212 mm |
| Accessories | AADL/WB/W, AADL/WB/BLK, AADL/SRK/W, AADL/SRK/BLK, ASBP/22/LI |

