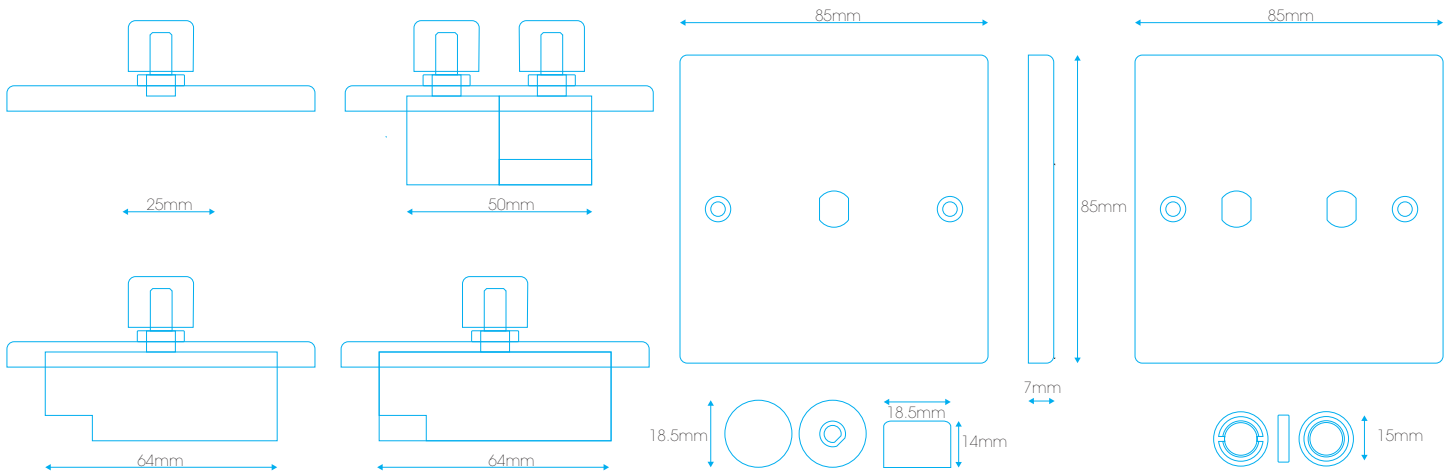


Contact us at Zano Controls,
 Unit 1 Chantry Court,
 Wrythe Lane,
 Carshalton,
 Surrey,
 SM5 2DG.
 Tel: 0845 519 5858
 Fax: 0845 519 5757
 email: sales@zаноcontrols.co.uk



ZLINE TECH SHEET
 MADE IN GREAT BRITAIN



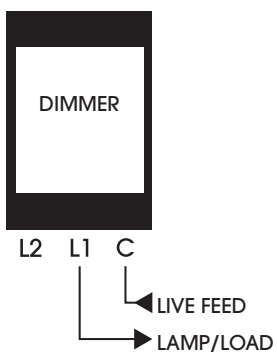
| | |
|--------------------------|--------------------|
| COMPATIBLE LOAD TYPE | LED |
| 2-WAY SWITCH | YES |
| ON / OFF OPERATION STYLE | PUSH ON / PUSH OFF |
| DIMMING OPERATION | ROTARY |

| | |
|-----------------------------|-------------------------|
| PROTECTION | OVERLOAD/THERMAL |
| SMART SETTINGS | YES |
| DB NOISE DURING OPERATION | - 110 DBA |
| SOFT START | YES |
| SUPPLY VOLTAGE | 110V- 240V AC |
| FREQUENCY RANGE | 40 - 50Hz +/- 10% |
| MAX OPERATING TEMPERATURE | 70° C |
| RH RANGE | 0% - 95% NON CONDENSING |
| MAX AMBIENT TEMPERATURE | 0° C - 40° C |
| MINIMUM AMBIENT TEMPERATURE | 0° C |
| MAX LOAD* | 120W/VA 250W/VA |
| MIN LOAD* | 5W/VA |
| TERMINAL TORQUE MAX SETTING | 0.4 NM |
| MAX TERMINAL CAPACITY | 3mm |
| MAX SWITCHING CAPACITY | 4A RESISTIVE |

| PLATE MODULES | 120W | 250W |
|---------------|----------|----------|
| 1 GANG | 1 X 120W | 1 X 250W |
| 2 GANG | 2 X 120W | 2 X 250W |

* Per Dimmer

DIMMER



2-WAY SWITCH AND DIMMER

