

Blanca - Bulkhead for LED DD and K2D Lamp

Please read these instructions thoroughly before use and retain for future reference.

The Kosnic LED DD & K2D Bulkhead fittings are suitable for use only with Kosnic LED DD & K2D lamps that are available with or without built-in motion sensors. Separate emergency modules are available for wiring-in for maintained or non-maintained emergency use.

These instructions apply to:
 KBHDDC6S65
 KBHDDC6S65-WHT
 KBHDDC6S65/E
 KBHDDC6S65/E-WHT

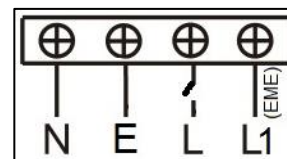
Safety Information

- Installation must be carried out in accordance with national and local building and wiring regulations.
- If you are in any doubt about installing this product, please consult a qualified electrician.
- This product is suitable for connection to a 220-240Vac 50/60Hz supply.
- This product is an **IP65** rated **class II** product not requiring an Earth connection.
- Before commencing installation, turn off and isolate the circuit to be worked on by removing the fuse or switching the circuit breaker off at the distribution board.
- If connecting the bulkhead to sensors or time switches, ensure that the control device does not leak a voltage across the lamp in the off state. Leaked voltages may accumulate and cause intermittent flashes in the off state.

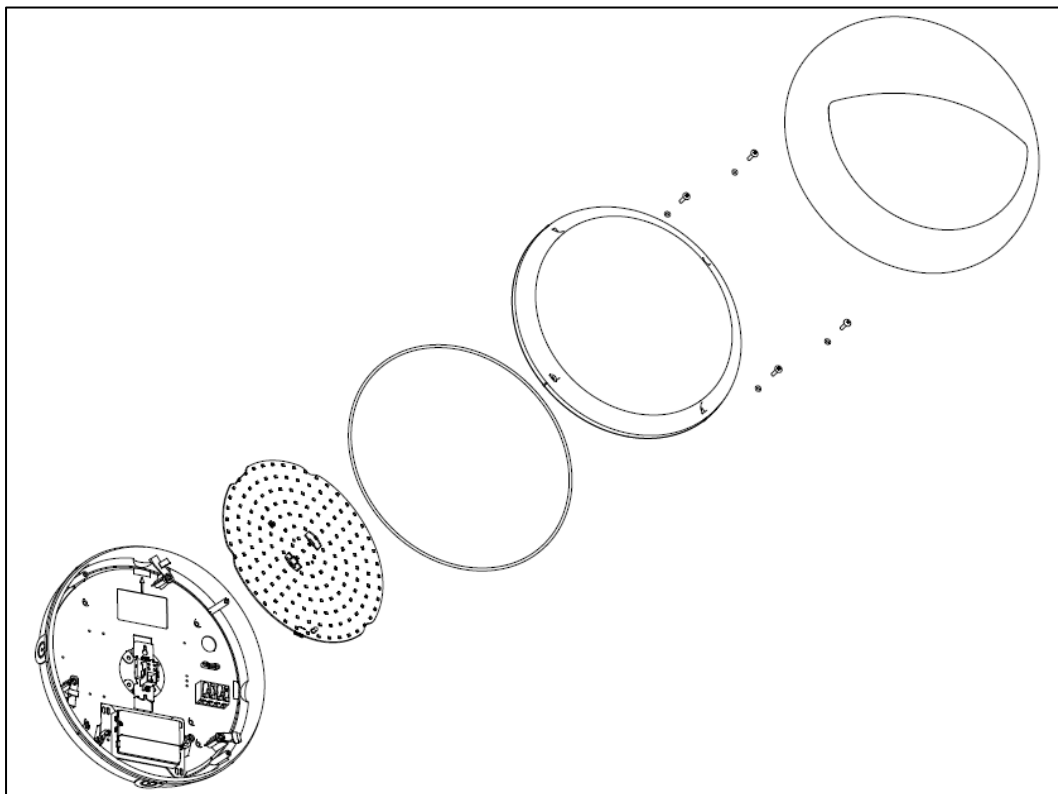
Installation Information

- When installing, orient the bulkhead so the arrow on the back-plate points upwards.
- Remove the clip-on decorative trim and the 4x screws for the diffuser.
- Install a suitable IP rated grommet or cable gland for the supply cable if necessary.
- Select a suitable secure mounting position and drill holes as appropriate taking care not to damage existing wiring or pipework.
- When fixing the bulkhead with a raised head screw, ensure the rubber washer is placed between the fitting and the metal washer on the inside to form a seal. When fixing the bulkhead with a countersunk screw, ensure the rubber washer is placed between the fitting and the screw in the countersunk hole.
- Feed the supply cable through the cable gland and connect to the terminals as follows:

- **Brown – Switched Live (L) for Normal Switching Operation**
- **Brown – Un-switched Live (L1) for Permanent Emergency Module Supply**
- **Blue – Neutral (N)**
- **Green/Yellow – Earth (E) for Optional Earth Continuity**

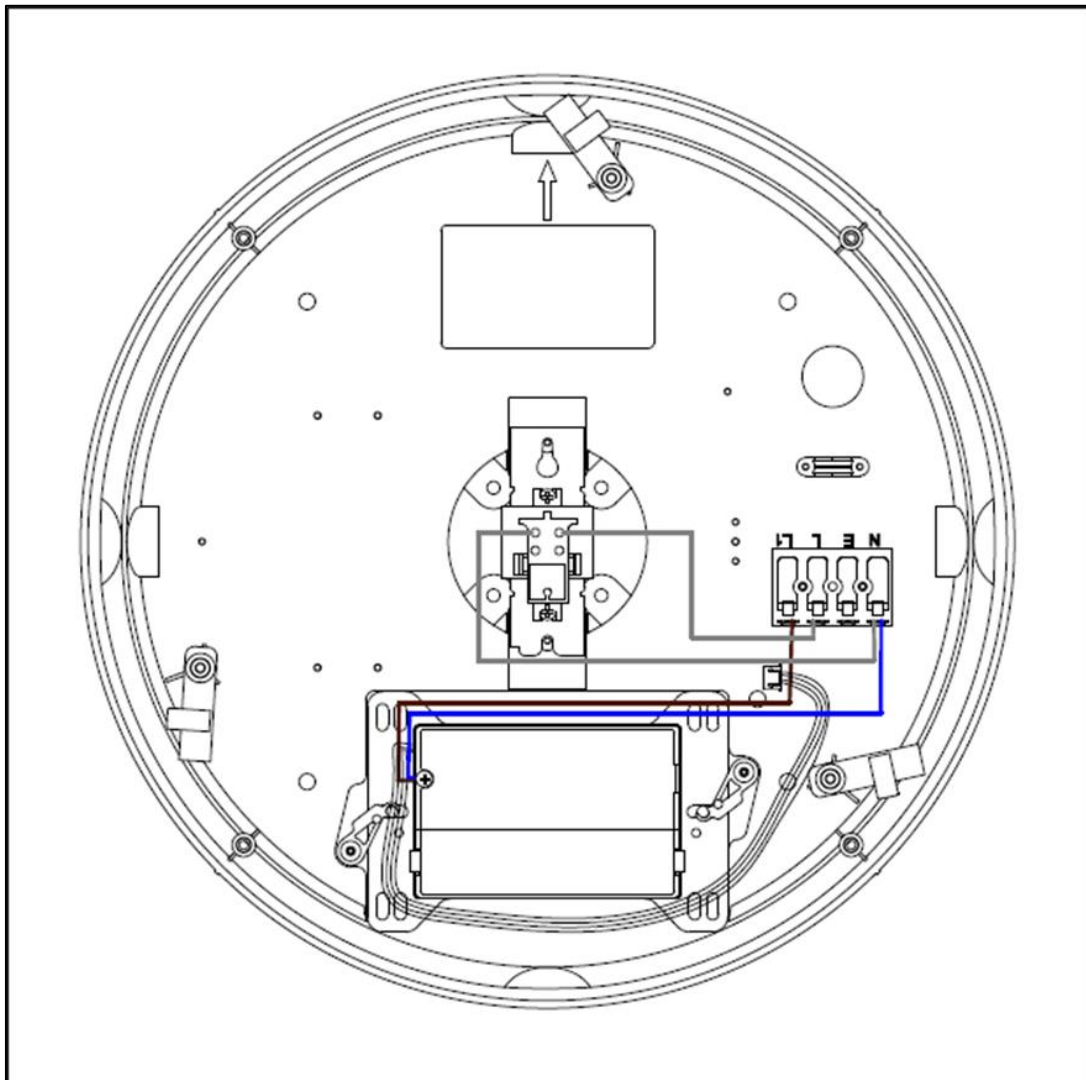


- Install the lamp. Clips are provided that can hold the lamp in place in situations where unusually harsh vibrations are present.
- If an LED DD lamp with a motion sensor is being used, set the sensor settings according to the instructions provided with the lamp.
- If adding the optional emergency module (KBHDDC6S65 & KBHDDC6S65-WHT only), follow the additional instructions below.
- Ensure that all electrical connections are tight with no loose strands then install the LED DD lamp.
- Refit the diffuser and the clip-on the decorative trim, then reconnect the power supply.



Adding the Optional Emergency Module (Applicable to KBHDDC6S65 & KBHDDC6S65-WHT only)

- The optional emergency module provides power in the event of a cut in the supply and must be wired to the un-switched supply through the un-switched live terminal (L1).
- Before commencing installation, turn off and isolate the circuit to be worked on by removing the fuse or switching the circuit breaker off at the distribution board.
- Referring to the diagram below, install the emergency module as shown using the fixing clips provided in the bulkhead.
- Connect the brown and blue wires from the emergency module to the terminals as follows:
Brown – Un-switched Live (L1) for Permanent Emergency Module Supply
Blue – Neutral (N)
- The emergency module battery is installed within the emergency module, which should be delivered with the battery disconnected.
- **Open the battery compartment cover on the emergency module and connect the battery.**
- Write the commissioning date on the battery label and replace the cover.
- Connect the flat four pin output plug from the emergency module to the socket on the LED DD lamp.
- Stick the Maintained or Non-Maintained emergency luminaire label on the luminaire.
- The battery leaves the factory in a charged state but may take up to 12 hours to fully charge for a 3-hour test. Charge for 5 minutes before performing a functional test to ensure there is some charge in the battery.
- Replace the battery when the luminaire fails to meet the 3-hour duration requirement in testing.



The Waste Electrical & Electronic Equipment Regulations (WEEE) require that products bearing this symbol must not be disposed of with household waste as they may contain substances harmful to the environment. The Local Authority can provide advice on recycling.