



Read these instructions before commencing installation & retain them for future reference.

IP67 * ** CE

Important Information

It is recommended drivers are installed by a qualified electrician ensuring the installation complies to current IEE wiring regulations & local building control. It is recommended these products are installed in rooms where the ambient temperature is between -20°C~+60°C, 20%~90% Relative humidity. Any broken or damaged parts should be replaced as soon as possible. KSR will not accept responsibility for any claims arising from a poor installation.

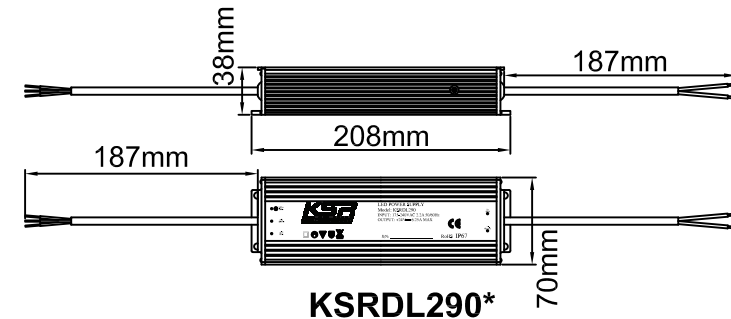
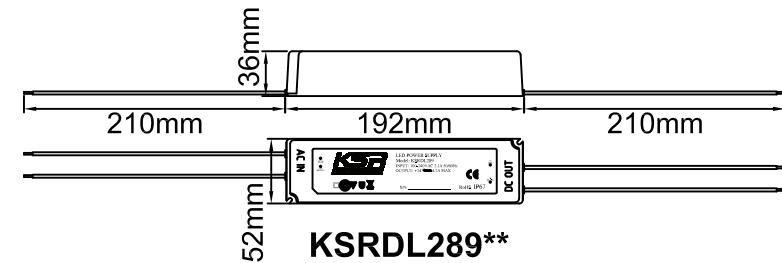
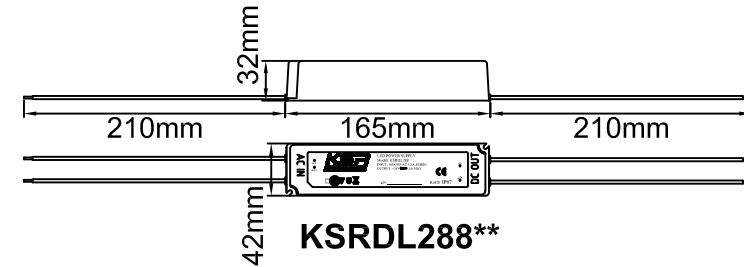
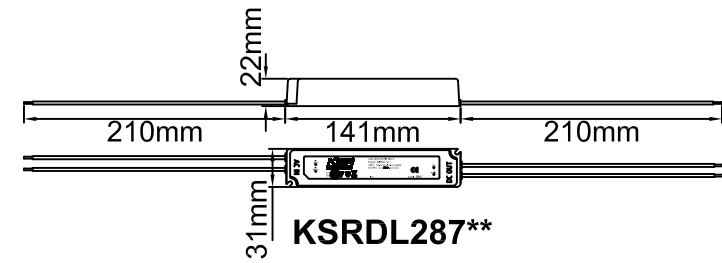
Important User Advice

Always switch off mains supply before servicing. Always check the driver is correct for the application, including its voltage and Amperage. Failure to do this can result in damage to the driver or luminaire!! If you are running extra cable please ensure that it is suitable size for the length you are running ensuring that no voltage drop occurs.

Installation Procedure

Disconnect mains supply. Install driver in suitable location . Connect the output cables to the luminaire as per the luminaire instructions, using a suitable connector for the application. Connect the driver to the mains supply (Blue - Neutral, Brown - Live) using a suitable plug or connector for the application. Switch on mains supply and test.

	Input	Output	Wattage	AC Inrush Current	Efficiency
KSRDL287**	100-240VAC 50/60Hz	24v 0~0.83A	20w	30A/230V	≥88%
KSRDL288**	100-240VAC 50/60Hz	24v 0~2.5A	60w	36A/230V	≥87%
KSRDL289**	100-240VAC 50/60Hz	24v 0~4.2A	100w	40A/230V	≥87%
KSRDL290*	100-240VAC 50/60Hz	24v 0~6.25A	150w	40A/230V	≥87%



KSR Lighting Aftersales: 023 92 674343
E-mail: info@ksr-lighting.co.uk