



Available finish:- Black

**Read these instructions before commencing installation & retain them for future reference.**

**IP44** **240V 10W**

**Important Information**

It is recommended that luminaires are installed by a qualified electrician. The installation of this product must comply with the current edition of the IEE wiring regulations BS7671.

These products are designed for connection to a 240V 50Hz supply. Any damaged parts should be replaced as soon as possible. KSR will not accept responsibility for any claims arising from a poor installation.

**Important User Advice**

Always switch off mains supply before installation or servicing. KSR recommends a maintenance schedule of washing down with soapy water (no abrasive cleaners) and greasing all screws every 3 months.

**Installation Details**

- Remove and retain the 2 screws holding the back plate to the wall light (located top and bottom of the fitting).
- Remove the single screw and retain to the cable housing.
- Fix the plastic back plate to wall using suitable fixings for the substrate ensuring that it is installed with the arrow pointing up.
- Connect the supply to the terminal block: Brown (Live) and Blue (Neutral) as per Fig.1.
- Refit the cable housing.
- Attach the wall light to the plastic plate using the 2 screws you retained earlier.
- Switch on supply, test and adjust PIR.

Fig. 1

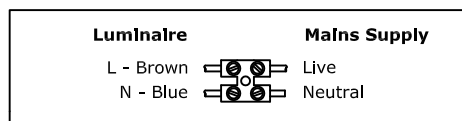
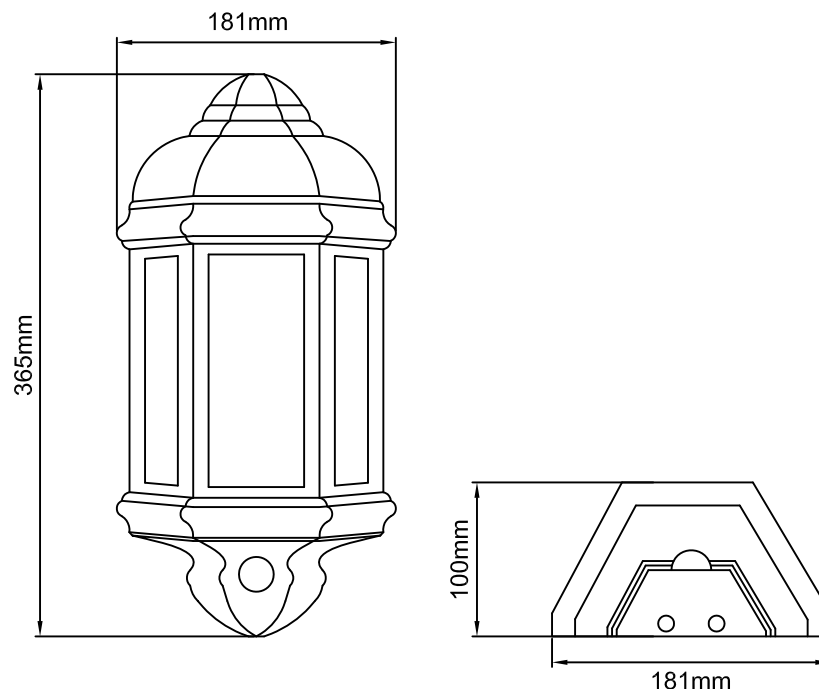
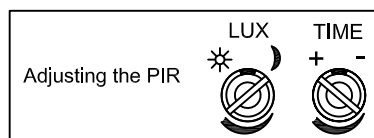


Fig. 2



**KSR1152**

**Lamp/PIR Details**

Light Source: Dedicated LED  
 Wattage: 10W  
 Lumen Output: 400 Lumens  
 CRI: 82  
 Colour: 4000K  
 Detection Angle: 130°  
 Time Adjustment: Min. 5 seconds ~ 5 Minutes Max.  
 Lux Adjustment: Min: 5 lux ~ 2000 lux Max.  
 Detection Range: 0-12m



Product Information

KSR Lighting Aftersales: 023 92 674343  
 E-mail: info@ksr-lighting.co.uk