



ASBLED/110V

Sleek LED 110V Polycarbonate Bulkhead - 5W Yellow Base



Features

All polycarbonate multi-purpose bulkhead

Exceeds performance of 9W PL

Unique Visiluxe diffuser allows 90% light transmission from LED source for increased performance

Suitable for all types of site lighting

Instant light output and unlimited switching

Red diffuser accessory available for applications that require warning indication luminaires

LED lifespan L70 56,000 hours

Non-dimmable

General Information

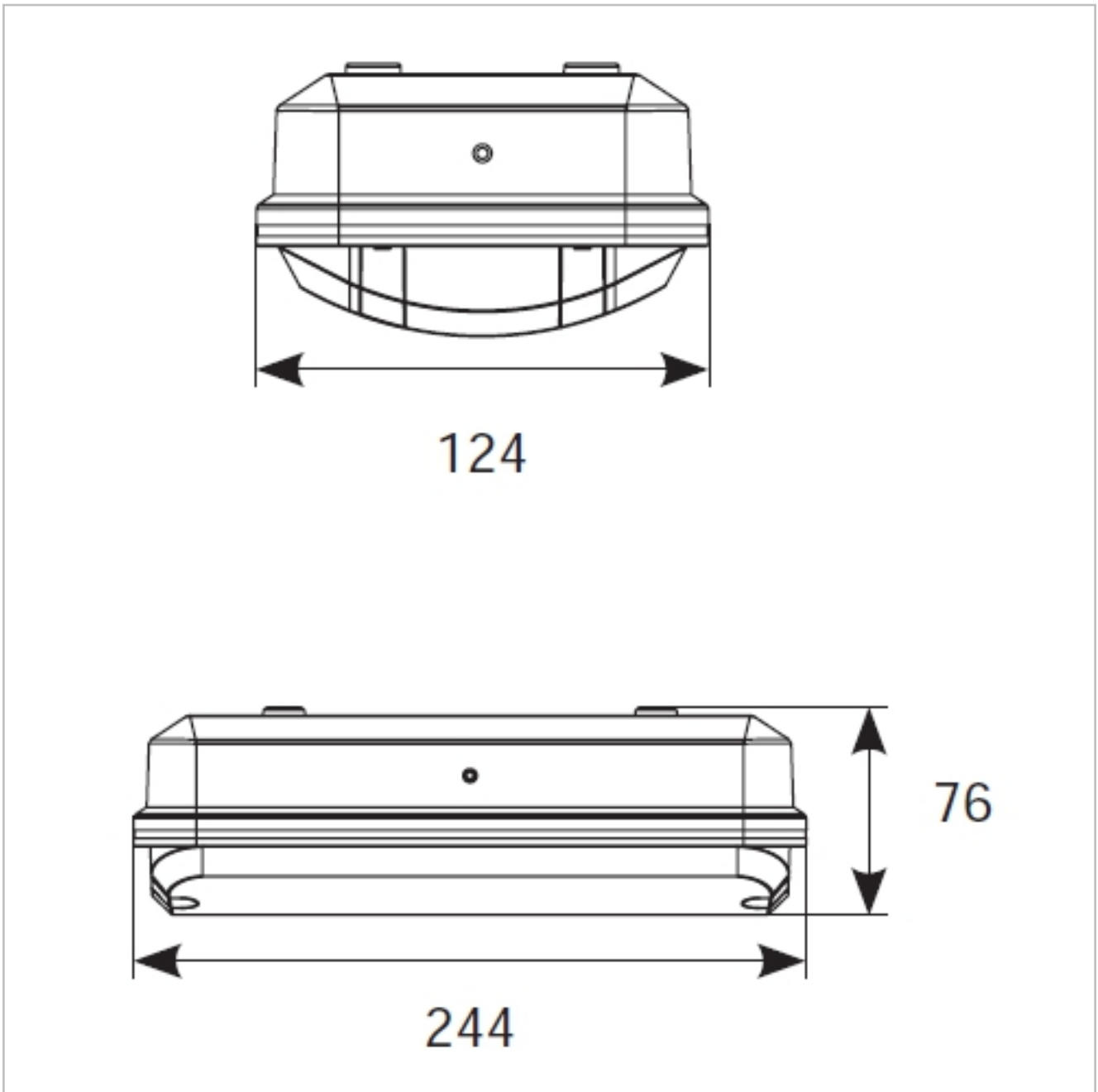
Lamp Type	LED
Colour / Finish	Yellow
IP Rating	IP65
Class Protection	2
Internal / External	Internal/External
Surface / Recessed / Suspended	Surface
LED Life	L70 56,000hrs
Warranty (Years)	2
CE Mark	Yes
Length (mm)	244
Width (mm)	124
Depth (mm)	76
Accessories	ASBLED/DIFF/RED

Technical Information

Wattage	5W
Lumens Delivered	424lm
Lm/W	85lm
CRI	Ra 80
CCT	4000K
Input	110V
Hertz	50Hz
Operating Temp	-10°C to 40°C

Technical Data - ETIM 6 - Ceiling-/wall luminaire (EC002892)

Suitable for wall mounting	Yes
Suitable for surface mounting	Yes
With light source	Yes
Suitable for number of lamps	1
Lamp power at multiwatt	Not applicable
Control gear included	Yes
Type of dimming	Not dimmable
Suitable for emergency lighting	No
Nominal voltage	110-110 V
Colour temperature	4000-4000 K
Material housing	Plastic
Colour housing	Yellow
Suitable for light line configuration	No
Type of grid	None
Length	244 mm
Width	124 mm
Height/depth	76 mm
With movement sensor	No
With light sensor	No
Protection class	II
Degree of protection (IP)	IP65
Ambient temperature	-10-40 °C
Max. system power	5 W
Rated luminous flux acc. IEC 62722-2-1	424 lm
Colour of light	White



Datasheet generated from <https://www.electrika.com> last updated Friday, June 7, 2019 12:33:49 PM