



ALODLED/250/CW

Lodi LED Slim Downlight 25W - Cool White



Features

Economic polycarbonate circular LED downlight

Low profile design with integral driver with loop-in, loop-out terminals for ease and speed of installation

Ideal for use in areas with shallow ceiling voids

25W comparable to 1x32W PL-T

Supplied pre-wired with 100mm of cable

LED lifespan L70 25,000 hours

General Information

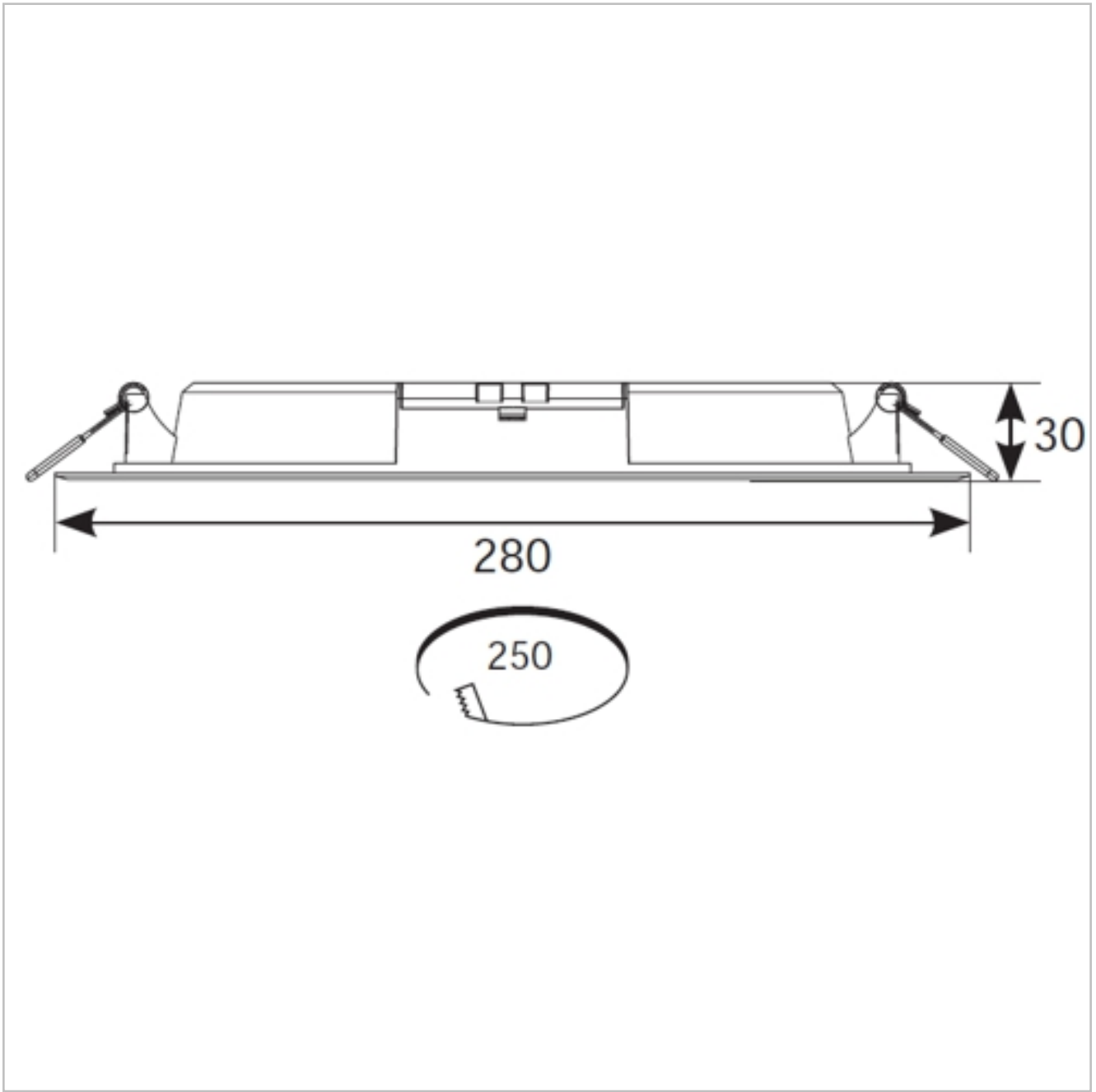
Lamp Type	LED
Colour / Finish	White
IP Rating	IP20
Class Protection	2
Internal / External	Internal
Surface / Recessed / Suspended	Recessed
LED Life	L70 25,000hrs
Warranty (Years)	2
CE Mark	Yes
Diameter (mm)	280
Depth (mm)	30
Accessories	ASLED/3NM

Technical Information

Wattage	25W
Lumens Delivered	2035lm
Lm/W	85lm
Beam Angle	100
CRI	Ra 80
CCT	4000K
Input	220 - 240V
Hertz	50Hz
Operating Temp	-20°C to 40°C

Technical Data - ETIM 6 - Downlight rigid/swivelling (EC001702)

Suitable for ceiling mounting	Yes
Suitable for built-in mounting	Yes
Adjustability	Not adjustable
With light source	Yes
Suitable for number of lamps	1
Lamp power at multiwatt	Not applicable
Control gear included	Yes
Emergency unit integrated	No
With light sensor	No
With movement sensor	No
Nominal voltage	220-240 V
Max. system power	25 W
Colour temperature	4000-4000 K
Colour housing	White
Type of grid	None
Beam angle	Extreme wide beam >80°
Height/depth	30 mm
Outer diameter	280 mm
Protection class	II
Degree of protection (IP)	IP20
Ambient temperature	-20-40 °C
Rated luminous flux acc. IEC 62722-2-1	2035 lm
Colour of light	White
Colour rendering index CRI	80-89



Datasheet generated from <https://www.electrika.com> last updated Friday, June 7, 2019 12:33:30 PM