



ALODLED/75/WW

Lodi LED Slim Downlight 4W - Warm White



Features

Economic polycarbonate circular LED downlight

Low profile design with integral driver with loop-in, loop-out terminals for ease and speed of installation

Ideal for use in areas with shallow ceiling voids

4W exceeds performance of 12W halogen

Supplied pre-wired with 100mm of cable

LED lifespan L70 25,000 hours

General Information

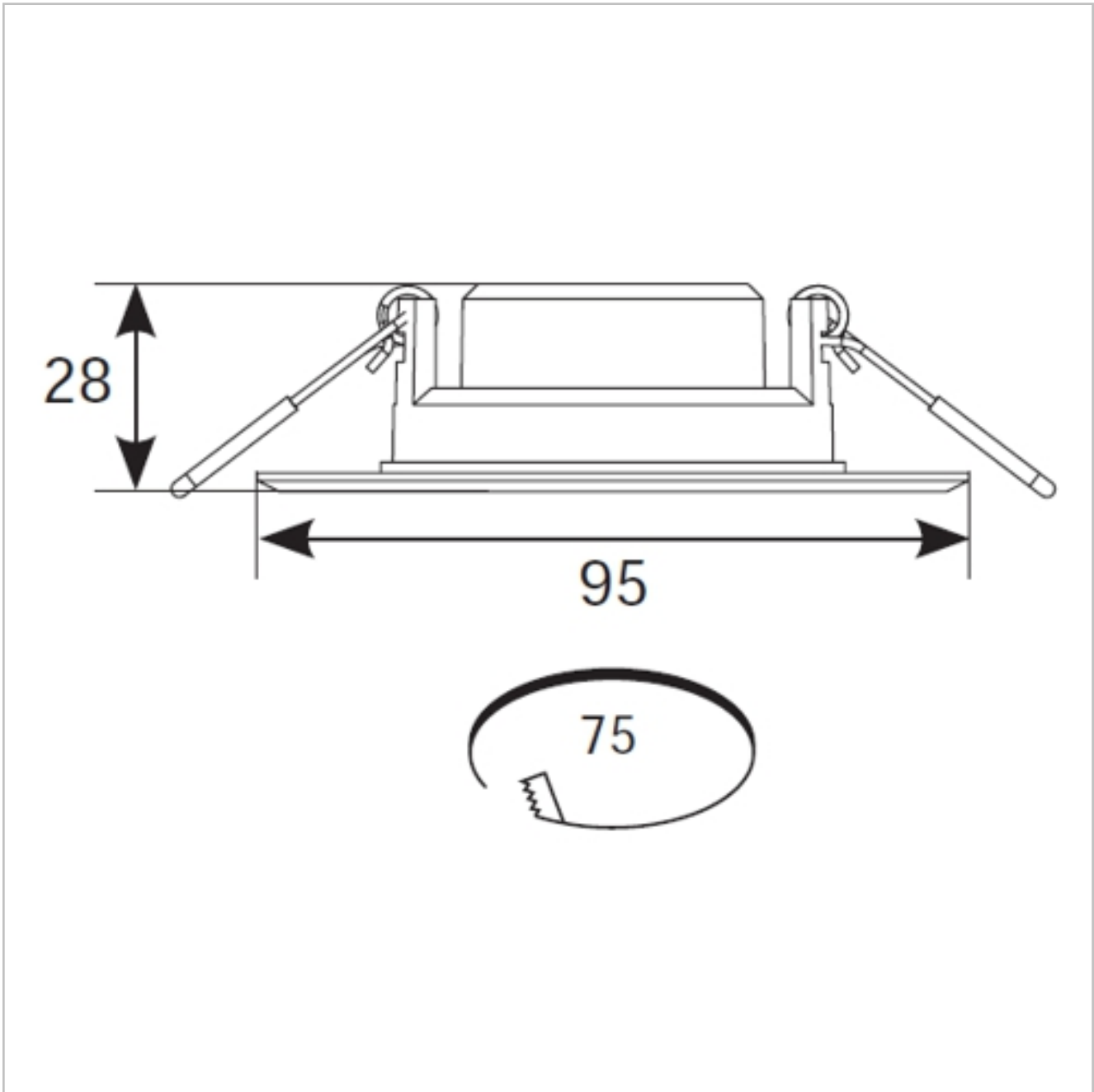
| | |
|--------------------------------|---------------|
| Lamp Type | LED |
| Colour / Finish | White |
| IP Rating | IP20 |
| Class Protection | 2 |
| Internal / External | Internal |
| Surface / Recessed / Suspended | Recessed |
| LED Life | L70 25,000hrs |
| Warranty (Years) | 2 |
| CE Mark | Yes |
| Diameter (mm) | 95 |
| Depth (mm) | 28 |
| Accessories | ASLED/3NM |

Technical Information

| | |
|------------------|---------------|
| Wattage | 4W |
| Lumens Delivered | 286lm |
| Lm/W | 71lm |
| Beam Angle | 100 |
| CRI | Ra 80 |
| CCT | 3000K |
| Input | 220 - 240V |
| Hertz | 50Hz |
| Operating Temp | -20°C to 40°C |

Technical Data - ETIM 6 - Downlight rigid/swivelling (EC001702)

| | |
|--|------------------------|
| Suitable for ceiling mounting | Yes |
| Suitable for built-in mounting | Yes |
| Adjustability | Not adjustable |
| With light source | Yes |
| Suitable for number of lamps | 1 |
| Lamp power at multiwatt | Not applicable |
| Control gear included | Yes |
| Emergency unit integrated | No |
| With light sensor | No |
| With movement sensor | No |
| Nominal voltage | 220-240 V |
| Max. system power | 4 W |
| Colour temperature | 3000-3000 K |
| Colour housing | White |
| Type of grid | None |
| Beam angle | Extreme wide beam >80° |
| Height/depth | 28 mm |
| Outer diameter | 95 mm |
| Protection class | II |
| Degree of protection (IP) | IP20 |
| Ambient temperature | -20-40 °C |
| Rated luminous flux acc. IEC 62722-2-1 | 286 lm |
| Colour of light | White |
| Colour rendering index CRI | 80-89 |



Datasheet generated from <https://www.electrika.com> last updated Friday, June 7, 2019 12:33:30 PM