

**PW10 - PENNY WASHER**

**Description :**

PW10 - M10 Penny Washer 25mm outer Diameter

**Finish :**

BZP

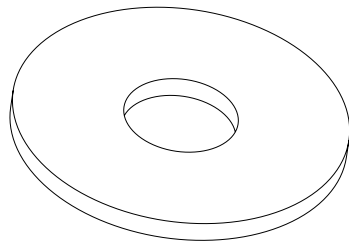
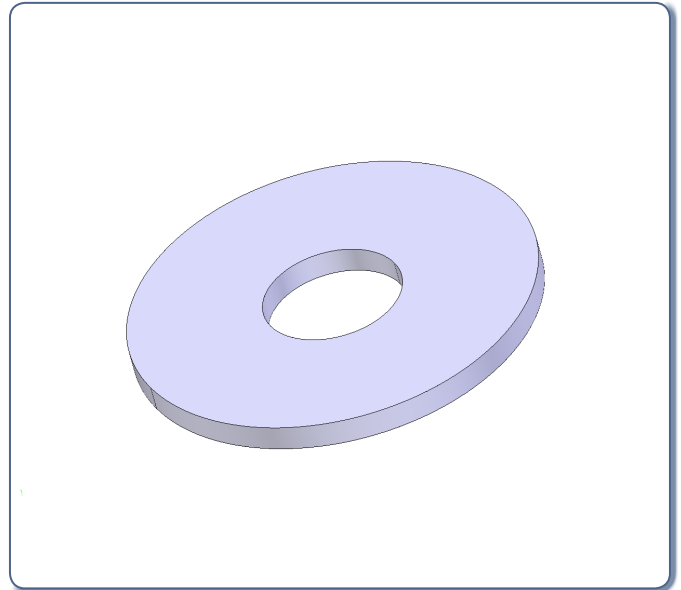
**Material :**

Steel

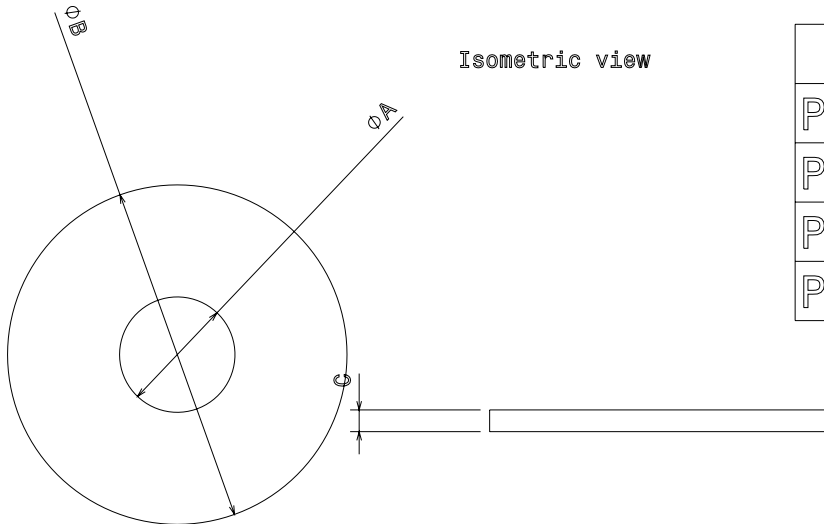
**Packaging :**

Packed in qty 100

**Additional Notes :**



Isometric view



Top view

Side view

	A	B	C
PW6	M6	25	1.6
PW8	M8	25	1.6
PW10	M10	25	1.6
PW12	M12	25	1.6

All Dimensions in mm (unless otherwise stated)

© Metpro Ltd 2015 - This Document is provided for Information Purposes Only and is Subject to Change Without Notice. Metpro Ltd makes No Warranty, express or implied, with this Document or the Information contained within.

**Tel : 0121 552 2100 - Fax : 0121 552 3363 - Email : sales@metpro.co.uk**