

**TIMEGUARD®**

12W LED Slimline IP54  
Round Wall/Ceiling Light

Model: LEDSR12WH - White

Model: LEDSR12B - Black



Installation & Operating Instructions

# 1. General Information

These instructions should be read carefully and retained for further reference and maintenance.

## 2. Safety

- Before installation or maintenance, ensure the mains supply to the luminaire is switched off and the circuit supply fuses are removed or the circuit breaker turned off.
- It is recommended that a qualified electrician is consulted or used for the installation of this luminaire and install in accordance with the current IEE wiring and Building Regulations.
- Check that the total load on the circuit including when this luminaire is fitted does not exceed the rating of the circuit cable, fuse or circuit breaker.

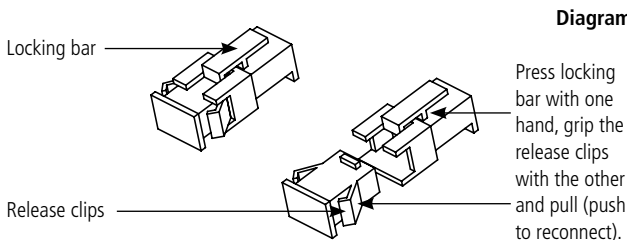
## 3. Technical Specifications

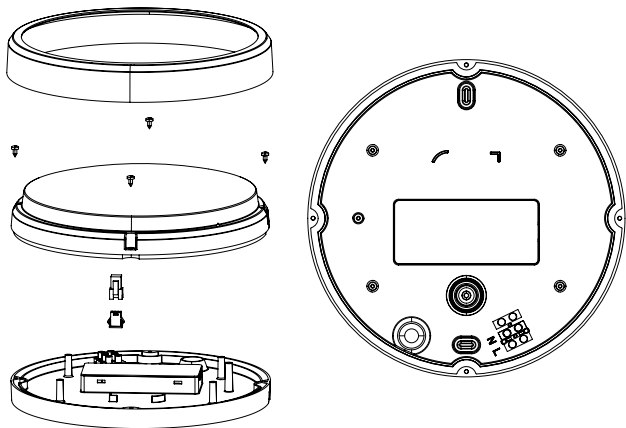
- 230V AC 50 Hz
- This luminaire is of class II construction and must not be earthed
- 12W LED Non-replaceable lamp
- Energy efficiency: Class A
- Energy Usage: 12KwH/1000H
- Lumen Output: 850lm
- Colour Temperature: 4000K
- IP54 Rated suitable for restricted external applications
- CE Approved
- Dimensions: 211mm Diameter x 55mm
- Mounting Hole Centres: 160mm

## 4. Installation

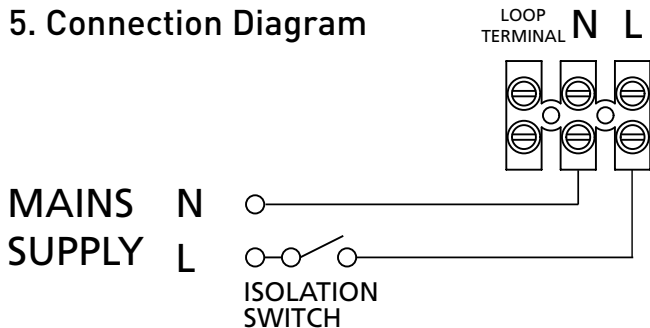
- Remove the bezel by releasing the two lugs top and bottom on the rear of the luminaire.
- Carefully lift away the diffuser/cover and disconnect the 2 way plug by holding down the locking bar on one half, at the same time grip the two release clips on opposite side and pull apart. This will disconnect the diffuser/cover completely (see diagram A below).
- Select a suitable cable entry point either provided or by drilling into the base ensuring not to damage or infringe on any of the internal components, the mounting holes on the back plate can also be drilled out at this stage.
- Mark the position of the mounting holes on the wall or ceiling.
- Drill the holes for the wall plugs ensuring not to infringe with any gas/water pipes or electrical cables that may be hidden below the surface.
- Secure the supply cable into the luminaire through the hole(s) provided ensuring that a cable gland, grommet or sealing compound is used to maintain the IP rating of the luminaire.
- Fix the luminaire using the correct screws for the wall plugs installed.
- Terminate the cable into the terminal block (see connection diagram right) ensuring correct polarity is observed and that all bare conductors are sleeved.
- Re-connect the 2 way plug by pushing the plug and socket together until they lock. **DO NOT FORCE. THE PLUG AND SOCKET WILL ONLY FIT TOGETHER ONE WAY AROUND** (see diagram A below).
- Reposition the lens over the unit, taking care to ensure the gasket is in place.
- Secure the lens using the 4 Philips screws and snap the bezel over the lens.

2





## 5. Connection Diagram



LIVE (Brown or Red)	L
NEUTRAL (Blue or Black)	N

A 'Loop Terminal' is provided should a 3 core cable be used.

## 6. Operation

Turn the power on to the isolating switch and test for correct operation.

## 3 Year Guarantee

In the unlikely event of this product becoming faulty due to defective material or manufacture within 3 years of the date of purchase, please return it to your supplier in the first year with proof of purchase and it will be replaced free of charge.

For years 2 and 3 or any difficulty in the first year, telephone the helpline on 020 8450 0515.

Note: A proof of purchase is required in all cases. For all eligible replacements (where agreed by Timeguard) the customer is responsible for all shipping/postage charges outside of the UK. All shipping costs are to be paid in advance before a replacement is sent.



If you experience problems, do not immediately return the unit to the store. Telephone the Timeguard Customer Helpline;

HELPLINE  
**020 8450 0515**

or email [helpline@timeguard.com](mailto:helpline@timeguard.com)

Qualified Customer Support Co-ordinators will be on-line to assist in resolving your query.



A **theben** Group Company

For a product brochure please contact:

**Timeguard Limited.**

Victory Park, 400 Edgware Road,  
London NW2 6ND

Sales Office: 020 8452 1112  
or email [csc@timeguard.com](mailto:csc@timeguard.com)

**[www.timeguard.com](http://www.timeguard.com)**