

DS1 - DISTANCE SADDLE

Description :

DS1G / B - 20mm Distance Saddle

Finish :

Galvanised (G) or Black Enamel (B)

Material :

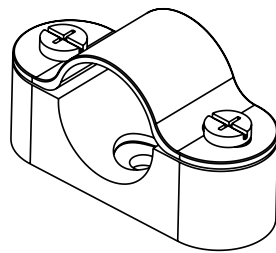
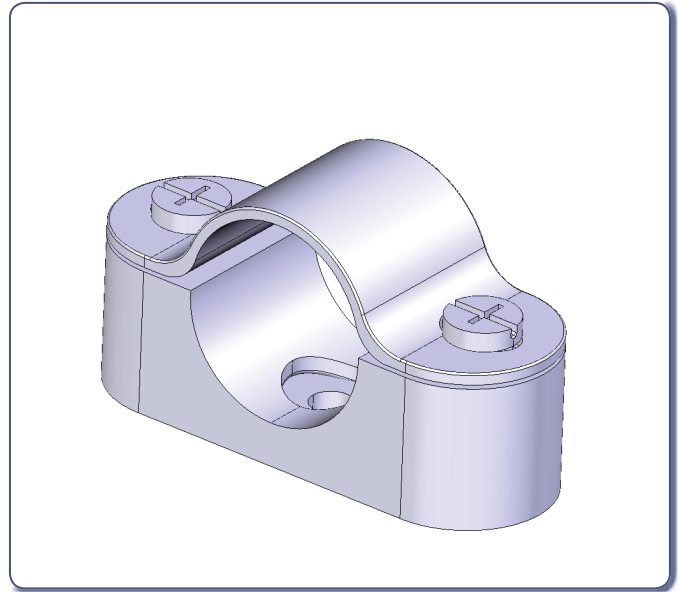
Cast Body , Pressed Steel Strap

Packaging :

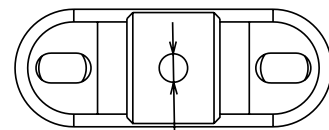
Packed in qty 50

Additional Notes :

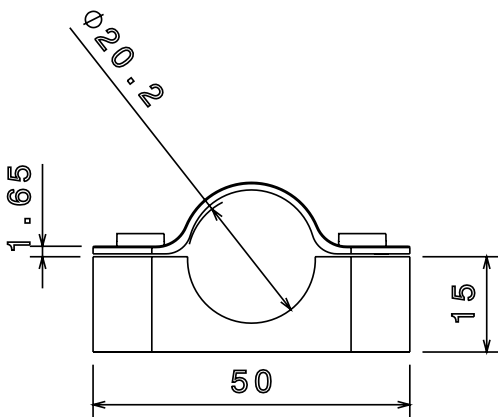
Comprises of Body, Strap and 2 screws
Compliant to LU Standard 1-085
(for use on surface & sub-surface locations)



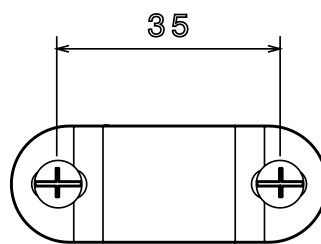
Isometric view



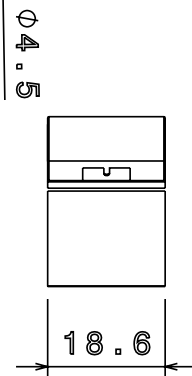
Bottom view



Front view



Top view



Side view

All Dimensions in mm (unless otherwise stated)

© Metpro Ltd 2015 - This Document is provided for Information Purposes Only and is Subject to Change Without Notice. Metpro Ltd makes No Warranty, express or implied, with this Document or the Information contained within.

Tel : 0121 552 2100 - Fax : 0121 552 3363 - Email : sales@metpro.co.uk