

IT2 - CONDUIT INSPECTION TEE

Description :

IT2G / B - 25mm Conduit Inspection Tee

Finish :

Galvanised (G) or Black Enamel (B)

Material :

Malleable Iron

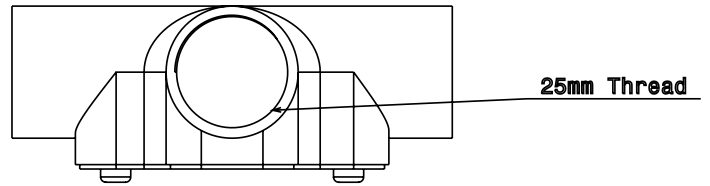
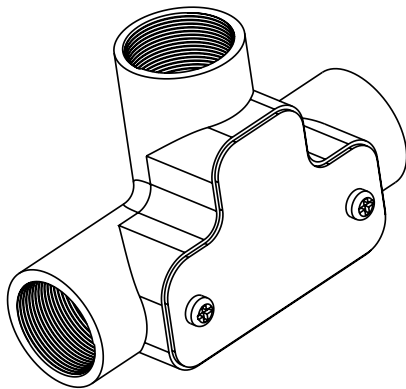
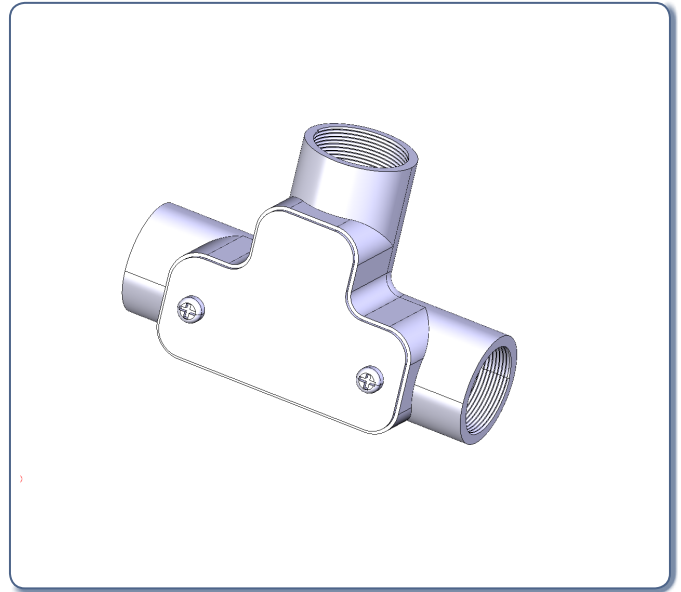
Packaging :

Packed in qty 10

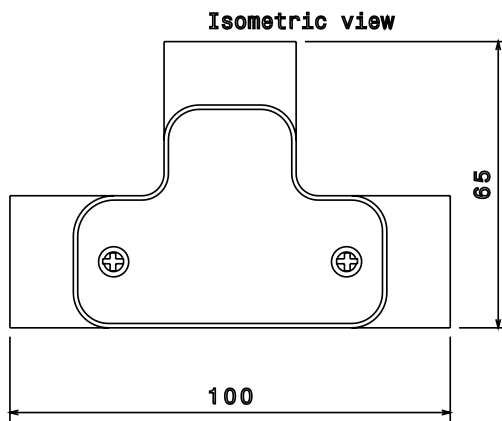
Additional Notes :

Compliant to LU Standard 1-085

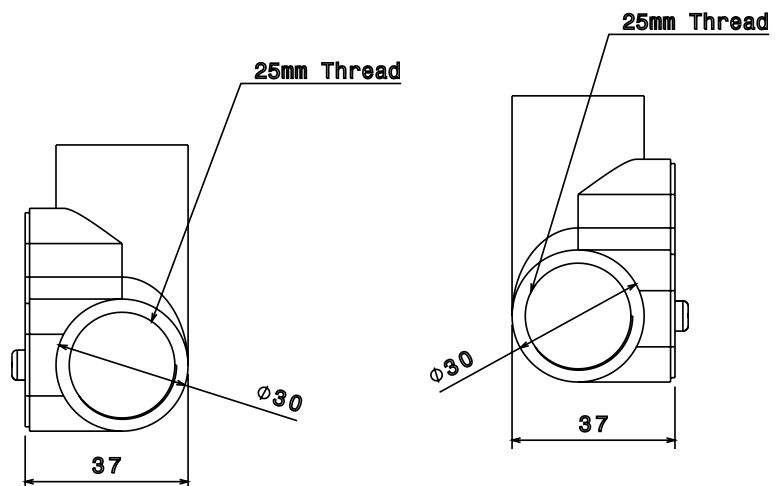
(For use on surface & sub-surface locations)



Top view



Front view



Right view

Left view

All Dimensions in mm (unless otherwise stated)

© Metpro Ltd 2015 - This Document is provided for Information Purposes Only and is Subject to Change Without Notice. Metpro Ltd makes No Warranty, express or implied, with this Document or the Information contained within.

Tel : 0121 552 2100 - Fax : 0121 552 3363 - Email : sales@metpro.co.uk