

BTG1 - BRASS TRS STUFFING GLAND

Description :

BTG1 - 20mm Brass TRS Gland

Finish :

Self Colour

Material :

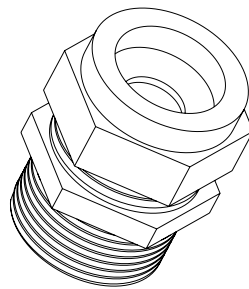
Brass

Packaging :

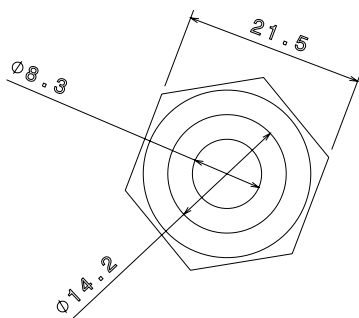
Packed in qty 100

Additional Notes :

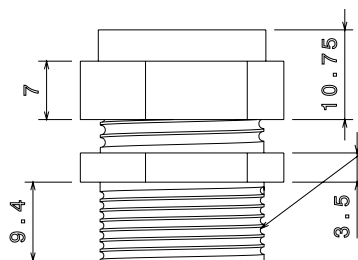
Comprises of two part Gland Body c/w Internal Rubber Seal



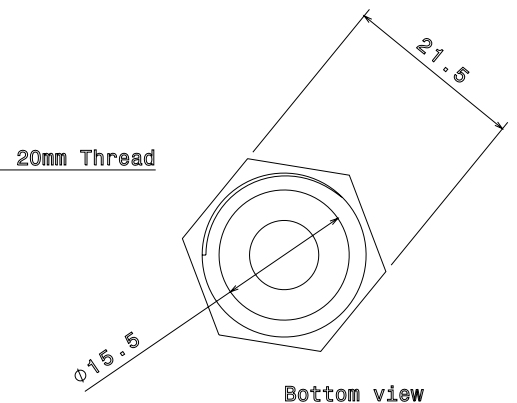
Isometric view



Top view



Side view



Bottom view

All Dimensions in mm (unless otherwise stated)

© Metpro Ltd 2015 - This Document is provided for Information Purposes Only and is Subject to Change Without Notice. Metpro Ltd makes No Warranty, express or implied, with this Document or the Information contained within.

Tel : 0121 552 2100 - Fax : 0121 552 3363 - Email : sales@metpro.co.uk