

Choice RSTAT3 RF Wireless Digital Room Thermostat



Benefits

The Choice Rstat3-RF is a non-programmable wireless room thermostat designed to be simple to use whilst bringing you comfort and energy economy. Comprising of a battery powered thermostat (transmitter) and a separate relay unit (receiver). The transmitter is intended for wall mounting in the main living area in your house with the receiver being mounted close to the boiler.

In addition to ON/OFF control the unit provides the option to regulate your heating system at two temperature, Comfort/Economy mode.

Features

- LCD showing room temperature
- Comfort/Economy or ON/OFF modes
- Frost protection
- Battery Powered (with battery low indication)
- Large easy to adjust dial

Applications

Designed to provide simple automatic control of your heating systems, by sensing the air temperature and switching on the heating when the air temperature falls below the thermostat setting and switching off when temperature is reached.

Technical Data

Transmitter

Power Supply:	2xAA 1.5V batteries
Battery Lifespan:	1 year
Temperature Adjustment Range:	5-30°C
Temperature Display Range, Scale:	3-51°C, 1°C
Temperature Frost Protection:	5°C (non adjustable)
Switching Differential :	+/-1°C
Dimensions :	86 x 86 x 32mm
Transmission Frequency :	433Mhz
Transmission Distance :	80m open, 30m indoors
Mounting Method :	Wall/Surface

Receiver

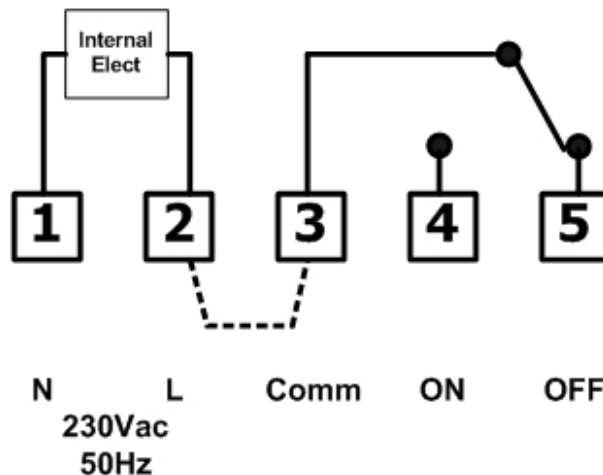
Power supply:	230Vac, 50Hz
Contact Rating:	16A, 250Vac (Volt Free contact)
Insulation class:	2
Flexible wire size:	1.5mm ²
Rigid wire size:	1.5mm ²
Dimensions:	86 x 86 x 55, when mounted
Mounting:	Wall using supplied backbox

Transmitter and Receiver

Operating Temperature:	0-50°C
Storage Temperature:	10-60°C
Protection Rating:	IP21

Electrical Connections

Internal Wiring Diagram



Contact Sangamo: 01475 745131

CUSTOMER CARE POLICY

As part of Sangamo's continuous improvement program, the Company operates a Customer Care Policy. This means that we welcome your comments and complaints, as it can only help us to improve our services to you, our customer.

SANGAMO



Sangamo Limited, Industrial Estate, Port Glasgow,
Renfrewshire PA14 5XG

Tel: 01475 745131 Fax: 01475 744567

Email : enquiries@sangamo.co.uk Web: www.sangamo.co.uk