



Enclosed product range

IMO

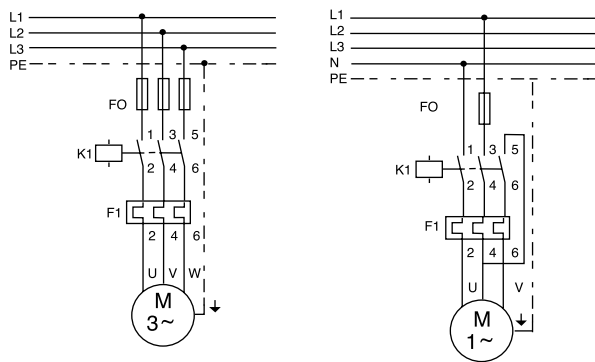


Direct-On-Line Starters

P1M Series

D-O-L Starters IP65 rugged plastic enclosures pre-wired to accept overload

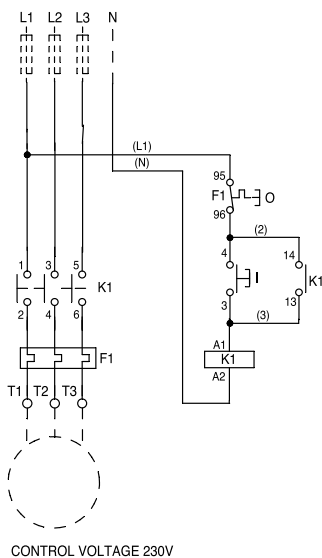
Part No.	kWRatings AC3 @ 415v	Amps	H x W x D	Type
P1MT09*	4	9	180 x 110 x 101	Start/Stop
P1MR09*	4	9	180 x 110 x 101	Reset
P1MW09*	4	9	180 x 110 x 101	Hand - Off- Auto & Reset
P1MT16*	7.5	16	180 x 110 x 101	Start/Stop
P1MR16*	7.5	16	180 x 110 x 101	Reset
P1MW16*	7.5	16	180 x 110 x 101	Hand - Off- Auto & Reset



DOL Series

D-O-L Starters IP55 metal enclosure pre-wired to accept overload

Part No.	kW Ratings AC3 @ 415v	Amps	H x W x D	Type
DOL-4*	4	10	210 x 160 x 170	Start/Stop buttons
DOL-7.5*	7.5	18	210 x 160 x 170	Start/Stop buttons

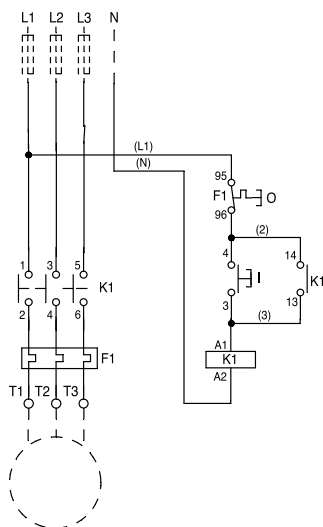


* Indicates voltage

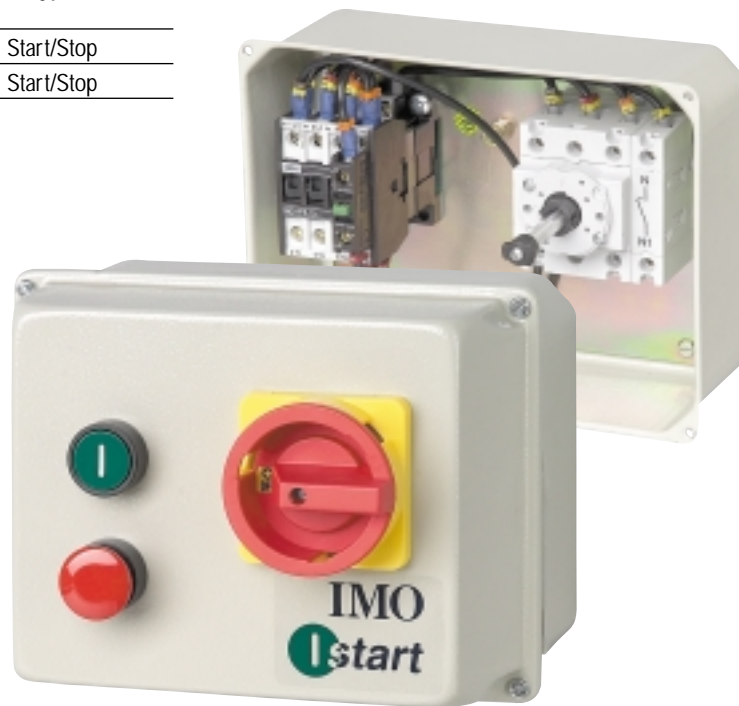
DOLI Series

D-O-L Starters, with 4 pole isolator, IP55 metal enclosure pre-wired to accept overload

Part No.	kW Ratings AC3 @ 415v	Amps	H x W x D	Type
DOLI-4*	4	10	210 x 160 x 170	Start/Stop
DOLI-7.5*	7.5	18	210 x 160 x 170	Start/Stop



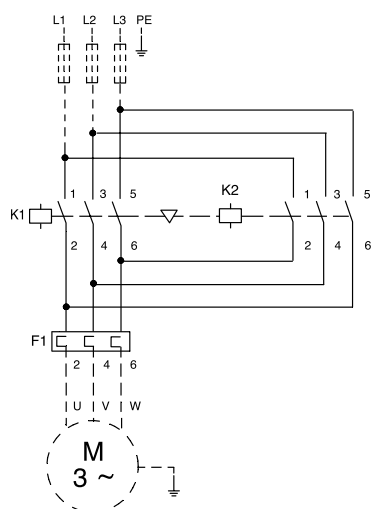
CONTROL VOLTAGE 230V



ERS Series

D-O-L Reversing Starters IP55 metal enclosure pre-wired to accept overload

Part No.	kW Ratings AC3 @ 415v	Amps	H x W x D	Type
ERS4*	4	10	260 x 210 x 180	Up/Down
ERS7.5*	7.5	18	260 x 210 x 180	Up/Down
ERS11*	11	22	260 x 210 x 180	Up/Down



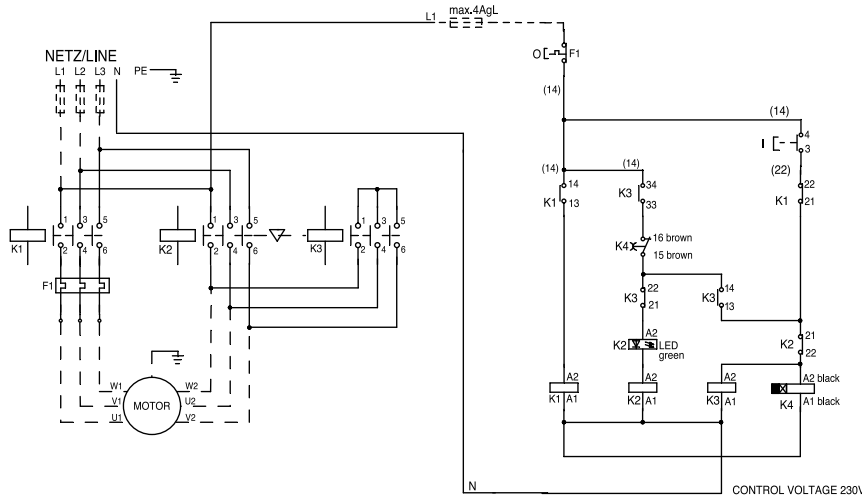
* Indicates voltage

Star-Delta Starters

SDS Series

Star-delta starters IP55 metal enclosure pre-wired to accept overload

Part No.	Ratings AC3 @ 415v kW	Amps	H x W x D	Type
SDS-7.5*	7.5	16	260 x 210 x 180	Start/Stop
SDS-15*	15	30	260 x 210 x 180	Start/Stop

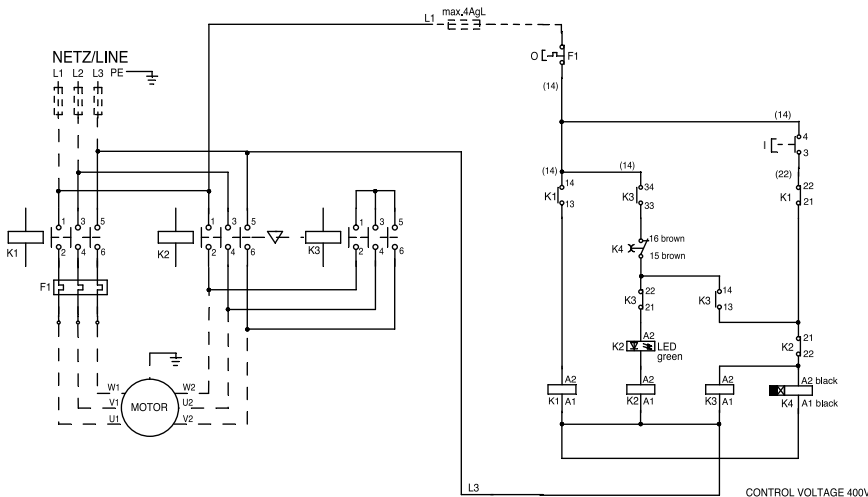


K1-Line contactor	MC10-S-01+MCA10	MC18-S-01+MCA10	1	2	3	4
K2-Delta contactor	MC10-S-01+MC-ING	MC18-S-01+MC-ING	NO/NC	NO/NC	NO/NC	NO/NC
K3-Star contactor	MC10-S-10+MCA10+MCA01	MC14-S-10+MCA10+MCA01	1/4	4	2/3	2
K4-Star/Delta timer	Y9A 1-20 sec	Y9A 1-20 sec				
F1-Thermal overload	..0.U12/16	..0.U12/16				

SDSI Series

Star-delta starters with 4 pole isolator, IP55 metal enclosure pre-wired to accept overload

Part No.	kW Ratings AC3 @ 415v	Amps	H x W x D	Type
SDSI-7.5*	7.5	16	260 x 210 x 180	Start/Stop
SDSI-15*	15	30	260 x 210 x 180	Start/Stop



K1-Line contactor	MC10-S-01+MCA10	MC18-S-01+MCA10	1	2	3	4
K2-Delta contactor	MC10-S-01+MC-ING	MC18-S-01+MC-ING	NO/NC	NO/NC	NO/NC	NO/NC
K3-Star contactor	MC10-S-10+MCA10+MCA01	MC14-S-10+MCA10+MCA01	1/4	4	2/3	2
K4-Star/Delta timer	Y9A 1-20 sec	Y9A 1-20 sec				
F1-Thermal overload	..0.U12/16	..0.U12/16				

* Indicates voltage

Thermal Overload Relays

Hand reset type thermal overload relays for use with starters

Part No.	DOL	Star-Delta	Part No.	DOL	Star-Delta
U1216E0.9	0.6-0.9	-	U1216E9	6.0-9.0	10.5-15.6
U1216E1.2	0.9-1.2	-	U1216E11	8.0-11.0	14.0-19.0
U1216E1.8	1.2-1.8	-	U1216E14	10.0-14.0	18.0-24.0
U1216E2.7	1.8-2.7	3.1-4.7	U1216E18	13.0-18.0	23.0-31.0
U1216E4	2.7-4.0	4.4-7.0	U1216E23	17.0-23.0	30.0-40.0
U1216E6	4.0-6.0	7.0-10.5	U1216E30	23.0-30.0	40.0-52.0



General Purpose Enclosures

IP65 starter enclosures (not shown)

Part No.	Approx H x W x D(mm)	
	External	Internal
P1M	185 x 89 x 101	145 x 66 x 85



ABS IP66/67 Alpha Series enclosures

Part No.	Approximate H x W x Dmm	Backplate	DIN Rail
144E0001	75 x 125 x 75	144B0001	144R0001
144E0002	125 x 125 x 75	144B0002	144R0002
144E0003	125 x 125 x 100	144B0002	144R0002
144E0004	125 x 175 x 75	144B0004	144R0004
144E0005	125 x 175 x 100	144B0004	144R0004
144E0006	125 x 175 x 125	144B0004	144R0004
144E0007	175 x 175 x 100	144B0007	144R0004
144E0008	175 x 175 x 125	144B0007	144R0004
144E0009	175 x 175 x 150	144B0007	144R0004
144E0010	175 x 250 x 100	144B0010	144R0010
144E0011	175 x 250 x 150	144B0011	144R0010

IP65 Enclosed Isolators

Ruges plastic red handle with yellow background. Designed to ICC 947

Part No.	Amp Ratings AC22 @ 415v	Number of Poles	Part No.	Amp Ratings AC22 @ 415v	Number of Poles
PE69-3020	20	3	PE69-6020	20	6
PE69-3025	25	3	PE69-8020	20	8
PE69-3032	32	3	PE69-6025	25	6
PE69-3040	40	3	PE69-8025	25	8
PE69-3063	63	3	PE69-6032	32	6
PE69-3080	80	3	PE69-8032	32	8
PE69-4020	20	4	PE69-6040	40	6
PE69-4025	25	4	PE69-8040	40	8
PE69-4032	32	4	PE69-6063	63	6
PE69-4040	40	4	PE69-8063	63	8
PE69-4063	63	4	PE69-6080	80	6
PE69-4080	80	4	PE69-8080	80	8



IP65 Enclosed Changeover Switches

Part No.	H x W x Dmm	Type/Description
PECO-3032-B	125 x 125 x 140	3 Pole + N 32A Black Handle
PECO-3032-RY	125 x 125 x 140	3 Pole + N 32A Red/Yellow Handle
MECO4063	400 x 300 x 150	4 Pole 63A Black Handle
MECO4125	400 x 300 x 150	4 Pole 125A Black Handle
CO69-3020	240 x 160 x 120	3 Pole Changeover 20A
CO69-4020	241 x 160 x 120	4 Pole Changeover 20A
CO69-3025	242 x 160 x 120	3 Pole Changeover 25A
CO69-4025	243 x 160 x 120	4 Pole Changeover 25A
CO69-3032	244 x 160 x 120	3 Pole Changeover 32A
CO69-4032	245 x 160 x 120	4 Pole Changeover 32A
CO69-3040	246 x 160 x 120	3 Pole Changeover 40A
CO69-4040	247 x 160 x 120	4 Pole Changeover 40A
CO69-3063	248 x 160 x 120	3 Pole Changeover 63A
CO69-4063	249 x 160 x 120	4 Pole Changeover 63A
CO69-3080	250 x 160 x 120	3 Pole Changeover 80A
CO69-4080	251 x 160 x 120	4 Pole Changeover 80A



Enclosed Control Switches



Part No.	Number of Poles	Amps AC1 @ 400V	Type/Description
PE20A-A1-60	1	20	On-Off 60°
PE20A-A2-60	2	20	On-Off 60°
PE20A-A3-60	3	20	On-Off 60°
PE20A-A4-60	4	20	On-Off 60°
PE20A-A1-90	1	20	On-Off 90°
PE20A-A2-90	2	20	On-Off 90°
PE20A-A3-90	3	20	On-Off 90°
PE20A-A4-90	4	20	On-Off 90°
PE20A-U1	1	20	Changeover with centre off
PE20A-U2	2	20	Changeover with centre off
PE20A-U3	3	20	Changeover with centre off
PE20A-U4	4	20	Changeover with centre off
PE20A-W1	1	20	Changeover without off
PE20A-W2	2	20	Changeover without off
PE20A-W3	3	20	Changeover without off
PE20A-W4	4	20	Changeover without off
PE20A-ST31	1	20	Step 3 position without off
PE20A-ST41	1	20	Step 4 position without off
PE20A-WU3	3	20	Motor reversing

Push Button Stations



Assembled Push Button Stations in IP65 Plastic Enclosures

Part No.	Number of Units	Number of Contacts	Type/Description
BG10-GN	1	1 N/O	Green I
BG10-RT	1	1 N/O	Red O
BG10-SARO	1	1 N/O	2 Key Operated O-I
BG10-SARRO	1	2 N/O	3 Key Operated I-O-II
BG20	2	1 N/O + 1N/C	On/Off O-I
BG30	3	2 N/O + 3N/C	On/Off/On I-O-II
BG10-P34-O2	1	2 N/C	E/Stop Twist to release Red O
BG10-P45-11	1	1 N/O + 1N/C	E/Stop Pull to release Red (EN418)
BG10-P44S3-11	1	1 N/O + 1N/C	E/Stop Key to release Red (EN418)
BG10-P34P-O2	1	2 N/C	E/Stop Twist to release Red O 70mm
BG10-P14PGR	1	1 N/O + 1N/C	Foot/Palm Switch Grey 70mm

Modular Heating/Lighting Contactors

Part No.	Number of Poles	Amps AC1 @ 400V	Module width mm
HC20-20*	2 NO	20	17.5
HC20-11*	1 NO + 1NC	20	17.5
HC20-02*	2 NC	20	17.5
HC25-40*	4 NO	25	35
HC25-31*	3NO + 1NC	25	35
HC25-22*	2NO + 2NC	25	35
HC25-04*	4 NC	25	35
HC40-40*	4 NO	40	52.5
HC40-31*	3NO + 1NC	40	52.5
HC40-22*	2NO + 2NC	40	52.5
HC40-04*	4 NC	40	52.5
HC63-40*	4 NO	63	52.5
HC63-31*	3NO + 1NC	63	52.5
HC63-22*	2NO + 1NC	63	52.5
HC63-04*	4NC	63	52.5

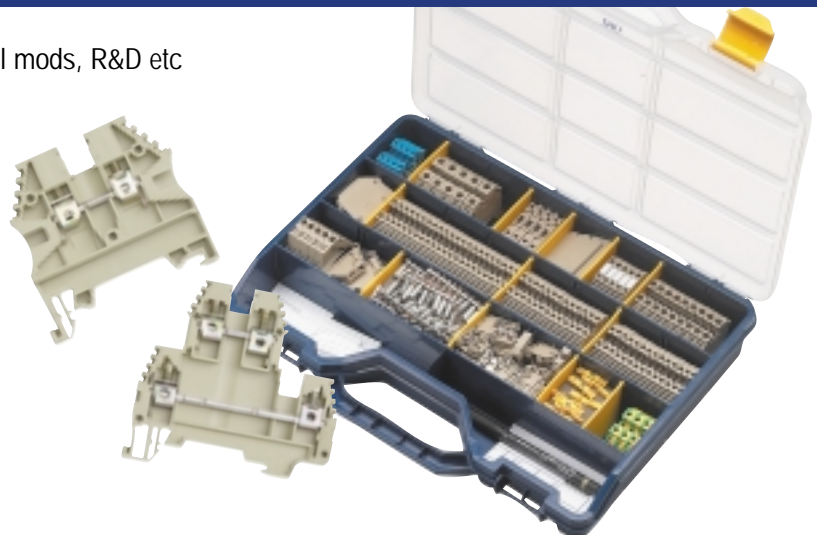
* Indicates coil voltage



DIN Rail Terminals Modi-Kit

DIN rail terminals starter pack: ideal for panel mods, R&D etc

Contents		Contents	
ER4BEIGE	50 PCS	EP2.5-10	8 PCS
ER4BLUE	5 PCS	EP16	2 PCS
ER10	10 PCS	EPF2	5 PCS
ER16	5 PCS	CC4/10	5 PCS
ERPE2.5/4	4 PCS	CC10/10	2PCS
ERF3	4 PCS	MT10/6.5	200 PCS
ERTD4	5 PCS	WL1YELLOW	10 PCS
SRMB4	10 PCS	BS1	1 PCS
EH2	4 PCS	Screw Driver	1 PCS
ES3	10 PCS		



Point of Sale Comparisons

IMO Istart products are also available from IMO Point Of Sales stands in trade outlets throughout the UK. Their corresponding part numbers are as follows:

IMO Part No.	POS Part No.
P1MT09*	SR1C (230)/SR02C (400)
P1MT16*	SR03(230)/SR04 (400)
DOLI-4*	SR10/SR11
DOLI-7.5*	SR12/SR13
SDS-7.5*	SD10 (-230)/SD11 (-400)
SDS-15*	SD10 (-230)/SD13 (-400)
SDSI-7.5*	SD10 (-230)/SD21 (-400)
SDSI-15*	SD10 (-230)/SD23 (-400)
U1216E0.9	OL01C
U1216E1.2	OL02C
U1216E1.8	OL03C
U1216E2.7	OL04C
U1216E4	OL05C
U1216E6	OL06C
U1216E9	OL07C
U1216E11	OL08C
U1216E14	OL09C
U1216E18	OL10C
U1216E23	OL13C
U1216E30	OL14C
P1M	EN05C
144E0001	EN11C
144E0002	EN12C
144E0003	EN13C
144E0004	EN14C
144E0005	EN15C
144E0006	EN16C
144E0007	EN17C
144E0008	EN18C
144E0009	EN19C
144E0010	EN20C
144E0011	EN21C
PE69-3020	ISO1C
PE69-3025	ISO3C
PE69-3032	IS11C

IMO Part No.	POS Part No.
PE69-3040	ISO5C
PE69-3063	ISO7C
PE69-3080	ISO9C
PE69-4020	ISO2C
PE69-4025	ISO4C
PE69-4032	IS12C
PE69-4040	ISO6C
PE69-4063	ISO8C
PE69-4080	IS10C
BG10-P45-11	PB14C
BG10-P34P-02	PB17C
PECO-3032-RY	CO12
PE20A-A2-90	ES06
PE20A-A4-90	ES08
PE20A-U2	ES21
PE20A-U4	ES23
PE20A-WU3	ES40
HC20-20*	CR40C (230V)
HC25-40*	CR41C (230V)
HC25-04*	CR42C (230V)
HC63-40*	CR43C (230V)
MECO4125	CO15 (230)
CO69-3020	CO320
CO69-4020	CO420
CO69-3025	CO325
CO69-4025	CO425
CO69-3032	CO332
CO69-4032	CO432
CO69-3040	CO340
CO69-4040	CO440
CO69-3063	CO363
CO69-4063	CO463
CO69-3080	CO380
CO69-4080	CO480

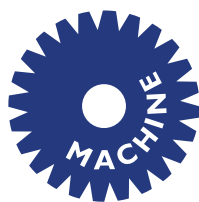


authorised distributor label

* Indicates voltage



- Cam Switches
- Din Terminals
- Enclosures
- Fieldbus remote I/O
- Isolators & Switch Fuses
- MCB & RCD
- Motor Circuit Breakers
- Motor Control Gear
- Panel Meters
- Relays
- Signal Conditioning
- Sockets
- Timers
- Transformers & Power Supplies



- Drives
- Intelligent Terminals/HMI
- Limit Switches
- Photoelectric Switches
- PLCs
- Proximity Switches
- Temperature Controls



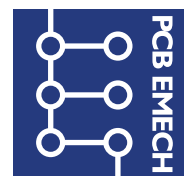
- Data Acquisition & Control
- Drives
- Intelligent Terminals/HMI
- Limit Switches
- Photoelectric Switches
- Proximity Switches
- PLCs
- Signal Conditioning
- Temperature Controls



- Lightguards
- Safety Limit Switches
- Safety Relays



- Jaguar VXM 0.37-500KW
- Jaguar VXSM 0.37-7.5KW
- Jaguar CUB 0.37-2.2KW



- Audible devices
- Chip-on-Board
- Device programmers
- LEDs & 7 seg. displays
- PCB Terminal blocks
- Relays - automotive
- Relays - power
- Relays - signal
- Switches

All IMO products are tried, tested and approved to relevant international quality standards



IMO Precision Controls Limited, 1000 North Circular Road, Staples Corner, London NW2 7JP United Kingdom
Tel: +44 (0)208 452 6444 Fax: +44 (0)208 450 2274 Email: imo@imopc.com Web: www.imopc.com