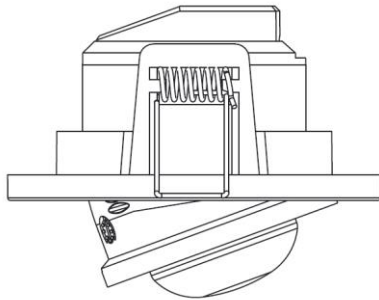


Flush Mounting PIR Detector



Description

Standalone PIR detectors designed for automatic control of interior lighting. Ergonomically designed sensor head allows easy access to the settings dials with the sensor in situ.

Features

- Suitable for indoor flush mounting applications
- Tilting sensor head to access settings dials
- Adjustable Lux and Time delay settings
- Auto off/manual override switching function
- Switches Incandescent, Halogen and LED loads
- Recommended mounting height of 2.2 - 4m
- 3-Year Guarantee

Range

Flush Mounting PIR - White L2354

Technical Specification

Voltage	220V - 240V AC 50Hz
Detection method	Passive infrared
Detection angle	360°
Detection range	8m
Adjustable Timer	10 sec - 15 minutes
Adjustable Lux level	3 - 2000 lux
IP rating	IP20
Maximum Load	
Incandescent	1200W
LED	300W
Mounting Height	2.2 - 4m
Cut-out size	60 mm
Manual Override	Yes

Standards

- BS EN 60669-2-1