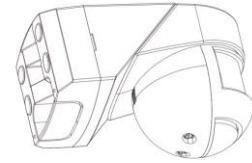


L2353BK	3 in 1 Multi Application Outdoor PIR Detector Black
L2353WH	3 in 1 Multi Application Outdoor PIR Detector White

3 in 1 Multi Application Outdoor PIR Detector

Features

- Multi-application PIR detector for ceiling or wall mounting
- Up/down and sideways swivelling feature for greater flexibility in positioning the detector
- Lux and Time delay settings, manual override function
- IP54 Rated



Safety Instructions

1. These instructions should be read carefully and retained after installation for future reference and maintenance.
2. Ensure that the mains power is switched off before carrying out installation or maintenance.
3. Installation must be carried out in accordance with the current edition of IET wiring regulations BS 7671, and by a qualified electrician.
4. This PIR detector is for outdoor use only. This PIR detector is of Class II construction.
5. Do not exceed the maximum load of the PIR detector. Ensure all electrical connections are secure and that there are no loose strands.

Environmental Instructions

This product may contain substances that can be hazardous to the environment if not disposed of properly. Electrical and electronic equipment should never be disposed of with general waste but must be separated for its correct treatment and recovery. Where possible recycle your packaging.

Installation Instructions

1. To remove the rear cover, insert a flat-tip screwdriver into one of the slots between the rear cover and the main housing. Twist the screwdriver and the rear cover will unclip (Figure 1).

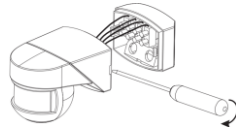


Figure 1

2. Using the mounting points on the rear cover as a template, mark and drill holes on a suitable mounting surface.
3. Feed the supply and light cables through the grommets and secure the rear cover to the mounting surface via the 2 mounting holes using appropriate fixings.
4. Terminate the supply and load conductors into the terminal block ensuring the correct polarity is observed (Figure 2).

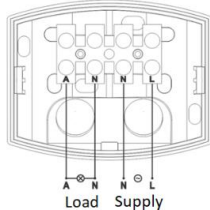


Figure 2

5. Return the terminal block to the rear cover ensuring to position it on the 3 pillars inside the rear cover.
6. Offer the PIR Detector back to the rear cover and securely clip it in place.
7. Set the PIR dials to the required settings and adjust the PIR detector head to the desired position.

Note: It is important that the PIR detector is mounted at a correct height to ensure maximum detection range (Figure 3).

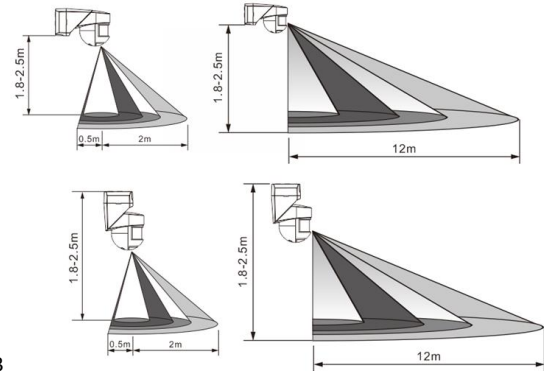


Figure 3

PIR Control

The PIR control dials are easily accessible on the detector housing.

Time Control – The ON time can be adjusted to suit requirements. When dial is turned fully anticlockwise, the ON time is 10 secs. When dial is turned fully clockwise, the maximum ON time is 30 mins.

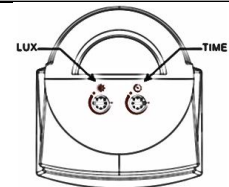
Lux Control – In the fully clockwise position, the PIR remains active during daylight and at night time. In the fully anti-clockwise position, the detector remains inactive during daylight.

At dusk, when the light level is at the desired level, adjust the dial anti-clockwise until the light turns on.

Manual Override

To override the PIR (light stays on constantly) – When the PIR detector is in use, turn the power off and back on immediately twice in quick succession (off-on-off-on) within 3 seconds.

To return control to the PIR – Turn the power to the PIR detector off for more than 10 seconds and then turn it back on again.



Specification

Input Voltage	220V - 240V AC 50Hz	Detection Range & Angle	12 meters @ 180° & 360°
Maximum Load	2000W incandescent	Time range	10 sec - 30 minutes approx..
	1000W LED and low voltage	Lux level range	10 - 2000 lux
IP Rating	IP54	Manual override	Yes
Electrical Class	II	Mounting Height	1.8-2.5m wall, 2.2-4m ceiling

Deta Electrical Company Limited

UK: Panattoni Park Luton Road Chalton Bedfordshire LU4 9TT UK

EU: Unit 16 Ashbourne Ind. Est. Ashbourne Co. Me'ath A84 W972 Ireland

deta.co.uk | Technical Helpline: +44(0)1582 544 548