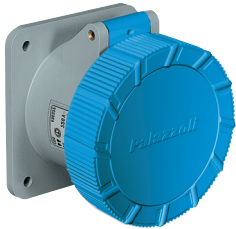



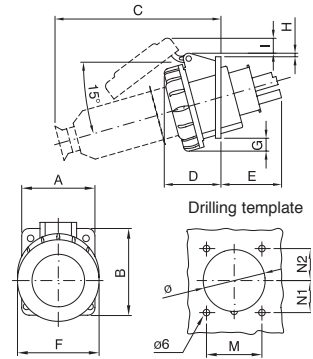


INDUSTRIAL PLUGS & SOCKETS

IP67 Watertight - straight






A	V			
63	110	436311	446311	456311
	230	436322	446322	456322
	400	436338	446338	456338
125	110		449311	459311
	230		449322	459322
	400		449538	459538

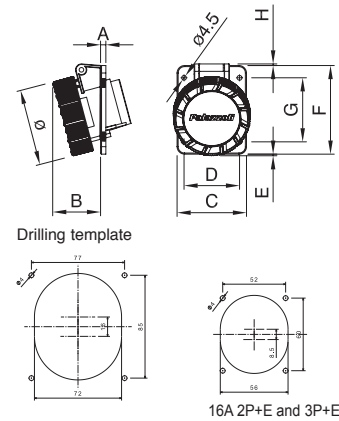


(A)	Poles	mm.												
		A	B	C	D	E	F	G	H	I	M	N1	N2	ø
63	All	100	108	226	80	80	109	10	8	23	77	46	39	86
	3P+E	114	114	320	101	82	128	20	8	35	90	47	43	96
	3P+N+E													

IP44 Splashproof topTER - angled

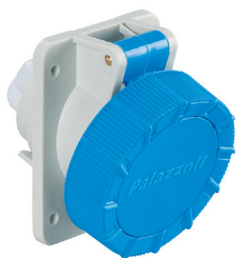





A	V			
16	110	488124	488134	488144
	230	488126	488139	488149
	400	488129	488136	488146
32	110	488224	488234	488244
	230	488226	488239	488249
	400	488229	488236	488246

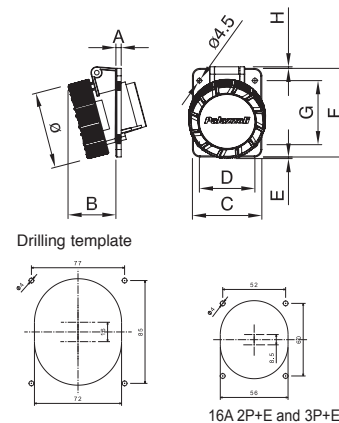


(A)	Poles	mm.						
		A	B	C	D	F	G	ø
16	2P+E	5	45	65	52	60	72	5
	3P+E	5	46	65	52	60	72	80
	3P+N+E	7	47	88	77	100	85	88
32	2P+E	7	54	88	77	100	85	93
	3P+E	7	54	88	77	100	85	93
	3P+N+E	7	55	88	77	100	85	100

IP67 Watertight topTER - angled



A	V			
16	110	489124	489134	489144
	230	489126	489139	489149
	400	489129	489136	489146
32	110	489224	489234	489244
	230	489226	489239	489249
	400	489229	489236	489246



(A)	Poles	mm.						
		A	B	C	D	F	G	ø
16	2P+E	5	45	65	52	60	72	5
	3P+E	5	46	65	52	60	72	80
	3P+N+E	7	47	88	77	100	85	88
32	2P+E	7	54	88	77	100	85	93
	3P+E	7	54	88	77	100	85	93
	3P+N+E	7	55	88	77	100	85	100