

16W IP65 LED Bulkhead - CTA

UTILITY



AVAILABLE FINISHES

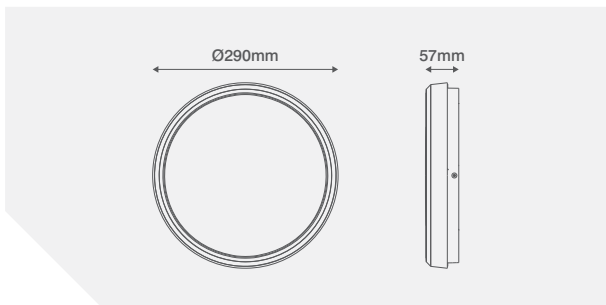


COLOUR TEMPERATURE



CODE	DESCRIPTION	TRADE PRICE
OV9110016	Bulkhead - Standard - White	€59,22
OV9110016MW	Bulkhead - Microwave Sensor - White	€93,59

PRODUCT INFO		
Circuit Wattage	16W	
CCT (K)	3000K	4000K 6000K
Lumens	1440lm	1500lm 1480lm
Efficacy	90lm/W	93lm/W 92lm/W
CRI	>80	
Beam Angle	112°	
LED Lifetime	30,000 Hours	
Voltage	200-240V ~	
Frequency	50/60Hz	
Operating Temp	-15°C - +50°C	



Complete push-fit terminals

PRODUCT APPROVALS

BS EN 60598-1 BS EN 60598-2-1 BS EN 62471 BS EN 61058-1 BS EN 61347-1 BS EN 61347-2-7 BS EN 62493 BS EN 55015 BS EN 61547 BS EN 61000-3-2 & BS EN 61000-3-3

