

# Product datasheet

Specifications



## limit switch XCMD - steel roller lever - 1NC+1NO - snap - 1 m

Local distributor code: 387031158 XCMD2116L1

EAN Code : 3389110218435

### Main

|                               |  |
|-------------------------------|--|
| Range of product              | Telemecanique Limit switches XC Standard |
| Series name                   | Standard format                          |
| Product or component type     | Limit switch                             |
| Device short name             | XCMD                                     |
| Sensor design                 | Miniature                                |
| Body type                     | Fixed                                    |
| Head type                     | Rotary head                              |
| Material                      | Metal                                    |
| Body material                 | Zamak                                    |
| Head material                 | Zamak                                    |
| Fixing mode                   | By the body                              |
| Movement of operating head    | Rotary                                   |
| Type of operator              | Spring return roller lever metal         |
| Type of approach              | Lateral approach, 2 directions           |
| Number of poles               | 2  |
| Contacts type and composition | 1 NC + 1 NO                              |
| Contact operation             | Snap action                              |

### Complementary

|                                |                           |
|--------------------------------|---------------------------|
| Tracks                         | 24/31 mm                  |
| Switch actuation               | By 30° cam                |
| Electrical connection          | Removable cable connector |
| Cable length                   | 1 m                       |
| Cable composition              | 5 x 0.75 mm <sup>2</sup>  |
| Wire insulation material       | PvR                       |
| Contacts insulation form       | Zb                        |
| Positive opening               | With                      |
| Positive opening minimum force | 0.5 N                     |
| Minimum force for tripping     | 0.1 N                     |

|   |   |
|---|---|
| <b>Maximum actuation speed</b>                | 1.5 m/s   |
| <b>Contact code designation</b>               | B300, AC-15 (Ue = 240 V), Ie = 1.5 A conforming to EN/IEC 60947-5-1 appendix A<br>R300, DC-13 (Ue = 250 V), Ie = 0.1 A conforming to EN/IEC 60947-5-1 appendix A  |
| <b>[Ui] rated insulation voltage</b>          | 300 V (pollution degree 3) conforming to UL 508<br>400 V (pollution degree 3) conforming to IEC 60947-5-1<br>300 V (pollution degree 3) conforming to CSA C22.2 No 14   |
| <b>Maximum resistance across terminals</b>    | 25 mOhm conforming to IEC 60255-7 category 3  |
| <b>[Uimp] rated impulse withstand voltage</b> | 4 kV conforming to IEC 60664<br>4 kV conforming to IEC 60947-1  |
| <b>Short-circuit protection</b>               | 6 A cartridge fuse, type gG   |
| <b>Electrical durability</b>                  | 5000000 cycles, DC-13, 120 V, 1 W, operating rate <60 cyc/mn, load factor: 0.5 conforming to IEC 60947-5-1 appendix C<br>5000000 cycles, DC-13, 24 V, 3 W, operating rate <60 cyc/mn, load factor: 0.5 conforming to IEC 60947-5-1 appendix C<br>5000000 cycles, DC-13, 48 V, 2 W, operating rate <60 cyc/mn, load factor: 0.5 conforming to IEC 60947-5-1 appendix C |
| <b>Mechanical durability</b>                  | 10000000 cycles   |
| <b>Width</b>                                  | 30 mm   |
| <b>Height</b>                                 | 50 mm   |
| <b>Depth</b>                                  | 16 mm   |
| <b>Net weight</b>                             | 0.225 kg  |

## Environment

|  |  |
|--|--|
| <b>Shock resistance</b>                      | 25 gn for 18 ms conforming to IEC 60068-2-27   |
| <b>Vibration resistance</b>                  | 5 gn (f= 10...500 Hz) conforming to IEC 60068-2-6  |
| <b>IP degree of protection</b>               | IP66 conforming to IEC 60529<br>IP67 conforming to IEC 60529<br>IP68 conforming to IEC 60529 |
| <b>IK degree of protection</b>               | IK06 conforming to EN 62262  |
| <b>Overvoltage category</b>                  | Class I conforming to IEC 61140<br>Class I conforming to NF C 20-030                         |
| <b>Ambient air temperature for operation</b> | -25...70 °C  |
| <b>Ambient air temperature for storage</b>   | -40...70 °C  |
| <b>Protective treatment</b>                  | TC   |
| <b>Product certifications</b>                | UL<br>CCC<br>CSA   |
| <b>Standards</b>                             | UL 508<br>CSA C22.2 No 14<br>EN/IEC 60204-1<br>EN/IEC 60947-5-1                              |

## Packing Units

|                                     |           |
|-------------------------------------|-----------|
| <b>Unit Type of Package 1</b>       | PCE       |
| <b>Number of Units in Package 1</b> | 1         |
| <b>Package 1 Height</b>             | 4.414 cm  |
| <b>Package 1 Width</b>              | 17.199 cm |
| <b>Package 1 Length</b>             | 18.639 cm |
| <b>Package 1 Weight</b>             | 201.0 g   |
| <b>Unit Type of Package 2</b>       | S03       |
| <b>Number of Units in Package 2</b> | 45        |

|                  |           |
|------------------|-----------|
| Package 2 Height | 30.0 cm   |
| Package 2 Width  | 30.0 cm   |
| Package 2 Length | 40.0 cm   |
| Package 2 Weight | 10.551 kg |

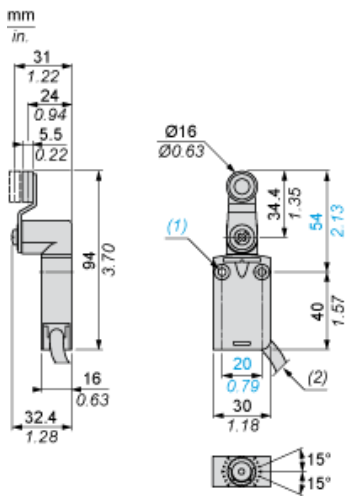
## Offer Sustainability

|                            |   |
|----------------------------|---|
| Sustainable offer status   | Green Premium product   |
| REACH Regulation           | <a href="#">REACH Declaration</a>   |
| EU RoHS Directive          | Pro-active compliance (Product out of EU RoHS legal scope)<br><a href="#">EU RoHS Declaration</a> |
| Mercury free               | Yes   |
| RoHS exemption information | <a href="#">Yes</a>   |
| Environmental Disclosure   | <a href="#">Product Environmental Profile</a>   |
| Circularity Profile        | <a href="#">End of Life Information</a>   |

## Contractual warranty

|          |           |
|----------|-----------|
| Warranty | 18 months |
|----------|-----------|

Dimensions

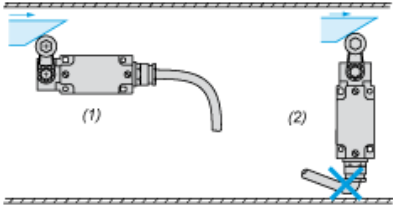


- (1) 2 fixing holes Ø 4.2 mm, counterbored Ø 8 mm by 4 mm deep.
- (2) External diameter of cable 7.5 mm.

**Mounting**

---

**Sweep of Connecting Cable**

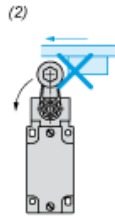
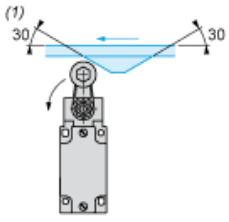


- (1) Recommended
- (2) To be avoided

**Mounting with Rotary Heads and Levers**

---

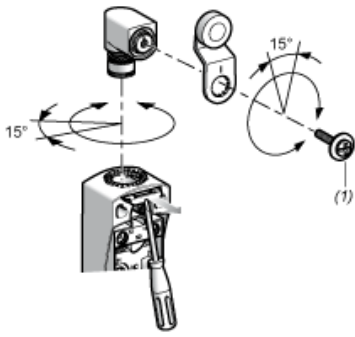
**Type of Cam**



- (1) Recommended
- (2) To be avoided

**Setting-up with Head ZCE01 and ZCE09**

---

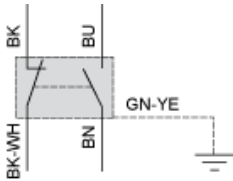


(1) Tightening torque (Min : 1) (Max : 1.5)

**Wiring Diagram**

---

**2-pole NC + NO Snap Action**



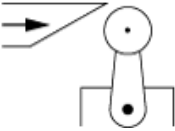
- (BK) Black
- (BK-WH) Black White
- (BU) Blue
- (BN) Brown
- (GN-YE) Green Yellow



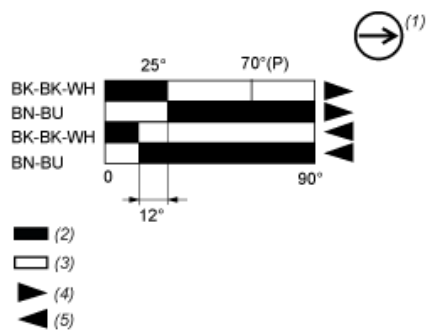
**Characteristics of Actuation**

---

**Switch Actuation by 30° Cam**



**Functional Diagram**



- (P) Positive opening point
- (1) NC contact with positive opening operation
- (2) Closed
- (3) Open
- (4) Tripping
- (5) Resetting
- (BK) Black
- (BK-WH) Black White
- (BU) Blue
- (BN) Brown

**Recommended replacement(s)**