



Cable Management Systems

MANUFACTURING
the **difference**



sales@armorduct.com

01384 233445

www.armorduct.com

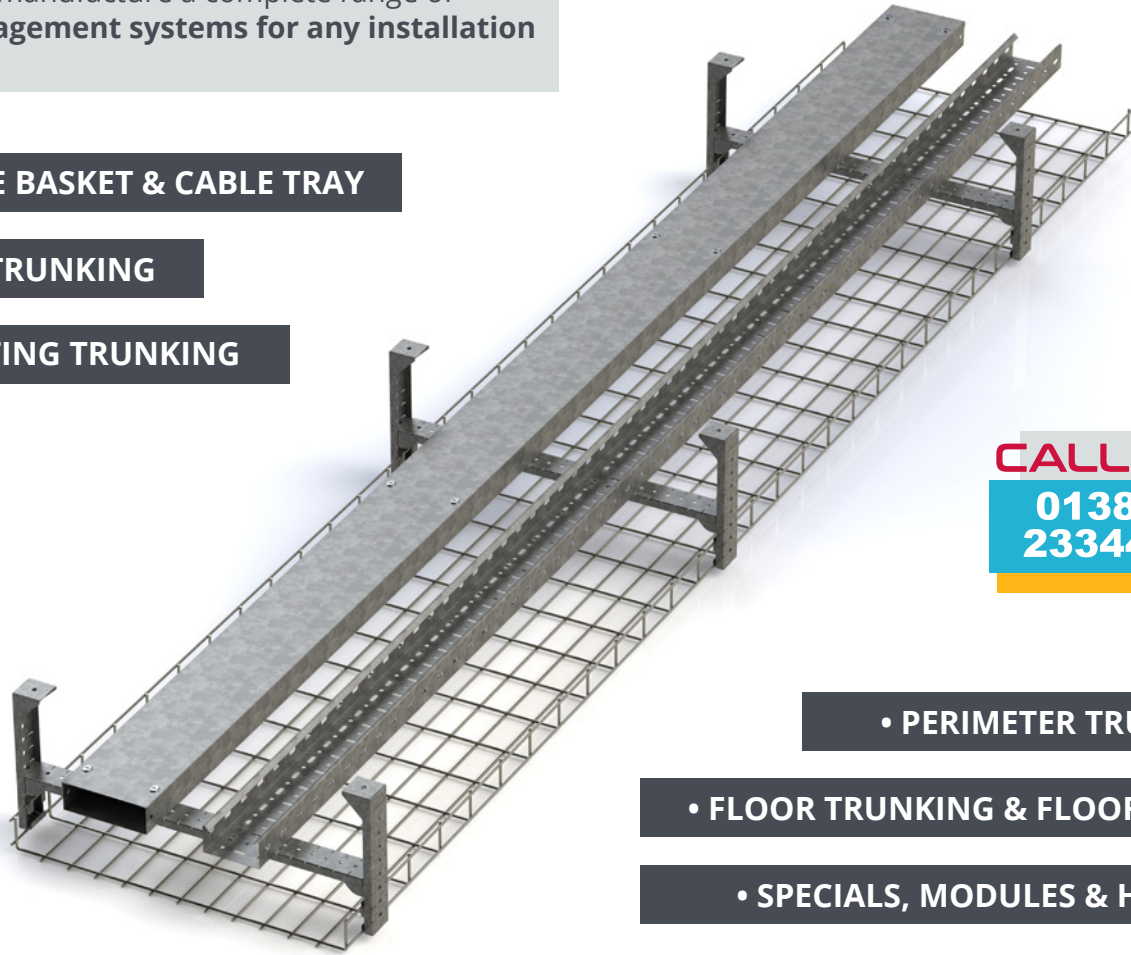
COMPLETE CABLE MANAGEMENT SYSTEMS

Armorduct manufacture a complete range of cable management systems for any installation

• CABLE BASKET & CABLE TRAY

• IP4X TRUNKING

• LIGHTING TRUNKING



CALL
01384
233445

• PERIMETER TRUNKING

• FLOOR TRUNKING & FLOOR BOXES

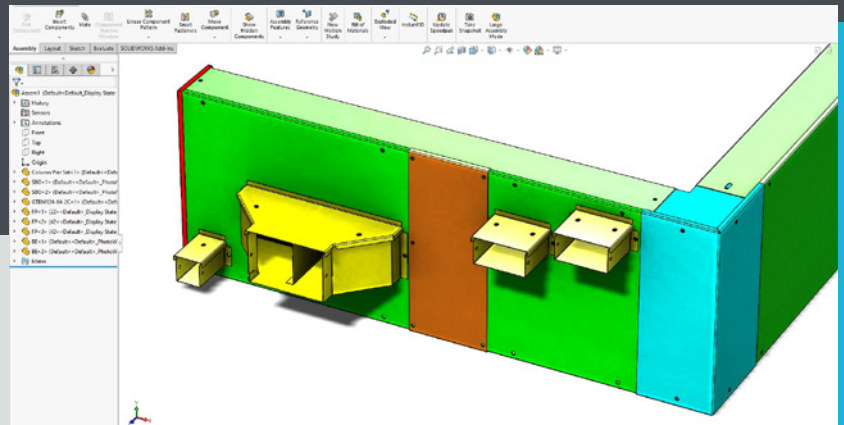
• SPECIALS, MODULES & HYBRIDS

OUR IN-HOUSE ENGINEERING DEPARTMENT DESIGN TO YOUR REQUIREMENTS

WE DEVELOP

**Bespoke
Solutions**

FOR ANY INSTALLATION



CONTENTS

CABLE BASKET	4 - 12
CABLE TRAY (TYPE 1)	13 - 16
CABLE TRUNKING	17 - 25
LIGHTING TRUNKING	26 - 29
CONDUIT & CONDUIT FITTINGS	30 - 32
UNDERFLOOR POWERTRACK	33 - 35
FLOOR BOXES	36 - 39
FLUSH FLOOR OUTLET TRUNKING	40 - 43
UNDERSCREED TRUNKING	44 - 47
FLUSH FLOOR TRUNKING	48 - 49
PERIMETER TRUNKING	50 - 59
PEDESTAL BOXES	60
BENCH TRUNKING	61
TERMS & CONDITIONS	62

CABLE BASKET SYSTEMS

WIRE MESH CABLE BASKET

AM35 35MM SIDE HEIGHT CABLE BASKET							
Part No.	Size	Finish	Alternative Finishes				
AM35.80	35mm x 80mm	BZP	HDG	PC	PG	SS	CPC
AM35.100	35mm x 100mm	BZP	HDG	PC	PG	SS	CPC
AM35.150	35mm x 150mm	BZP	HDG	PC	PG	SS	CPC
AM35.200	35mm x 200mm	BZP	HDG	PC	PG	SS	CPC
AM35.300	35mm x 300mm	BZP	HDG	PC	PG	SS	CPC
AM35.400	35mm x 400mm	BZP	HDG	PC	PG	SS	CPC
AM35.450	35mm x 450mm	BZP	HDG	PC	PG	SS	CPC
AM35.500	35mm x 500mm	BZP	HDG	PC	PG	SS	CPC
AM35.550	35mm x 550mm	BZP	HDG	PC	PG	SS	CPC
AM35.600	35mm x 600mm	BZP	HDG	PC	PG	SS	CPC
AM35.700	35mm x 700mm	BZP	HDG	PC	PG	SS	CPC
AM35.800	35mm x 800mm	BZP	HDG	PC	PG	SS	CPC



For finish please add the suffix: e.g. AM35.450/HDG

AM60 60MM SIDE HEIGHT CABLE BASKET							
Part No.	Size	Finish	Alternative Finishes				
AM60.50	60mm x 50mm	BZP	HDG	PC	PG	SS	CPC
AM60.100	60mm x 100mm	BZP	HDG	PC	PG	SS	CPC
AM60.150	60mm x 150mm	BZP	HDG	PC	PG	SS	CPC
AM60.200	60mm x 200mm	BZP	HDG	PC	PG	SS	CPC
AM60.300	60mm x 300mm	BZP	HDG	PC	PG	SS	CPC
AM60.400	60mm x 400mm	BZP	HDG	PC	PG	SS	CPC
AM60.450	60mm x 450mm	BZP	HDG	PC	PG	SS	CPC
AM60.500	60mm x 500mm	BZP	HDG	PC	PG	SS	CPC
AM60.550	60mm x 550mm	BZP	HDG	PC	PG	SS	CPC
AM60.600	60mm x 600mm	BZP	HDG	PC	PG	SS	CPC
AM60.700	60mm x 700mm	BZP	HDG	PC	PG	SS	CPC
AM60.800	60mm x 800mm	BZP	HDG	PC	PG	SS	CPC
AM60.900	60mm x 900mm	BZP	HDG	PC	PG	SS	CPC



For finish please add the suffix: e.g. AM60.450/HDG

Available in



ALTERNATIVE SIZES OF WIRE MESH CABLE BASKET
AVAILABLE ON REQUEST

A technical specification is available in PDF format on request.

Specification

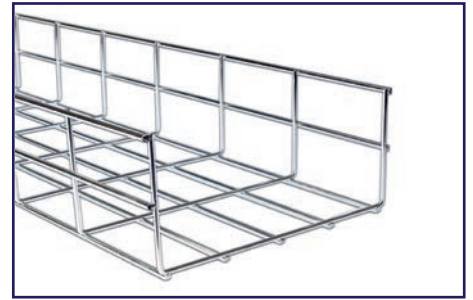
Standard Length supplied is 3 metres

Finishes

/PG	= Pre Galvanised to standard BS EN 10346:2015
/BZP	= Bright Zinc Plated BS 10244-2
/PC	= Powder Coated to standard BS EN 13438:2013
/HDG	= Hot Dipped Galvanised to standard BS EN ISO 1461
/SS304	= 304 Grade Stainless Steel to standard BS EN 10088-1 :2014
/SS316	= 316 Grade Stainless Steel to standard BS EN 10088-1 :2014
/CPC	= Clear Polyester Coated to standard BS EN 50085-2-1 :2016

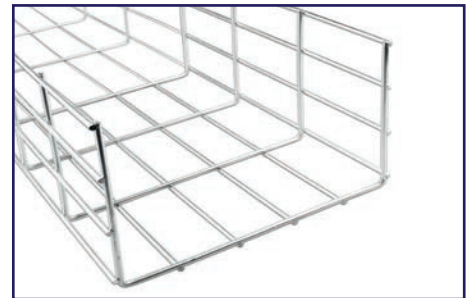
WIRE MESH CABLE BASKET

AM110 110MM SIDE HEIGHT CABLE BASKET							
Part No.	Size	Finish	Alternative Finishes				
AM110.100	110mm x 100mm	BZP	HDG	PC	PG	SS	CPC
AM110.150	110mm x 150mm	BZP	HDG	PC	PG	SS	CPC
AM110.200	110mm x 200mm	BZP	HDG	PC	PG	SS	CPC
AM110.300	110mm x 300mm	BZP	HDG	PC	PG	SS	CPC
AM110.400	110mm x 400mm	BZP	HDG	PC	PG	SS	CPC
AM110.450	110mm x 450mm	BZP	HDG	PC	PG	SS	CPC
AM110.500	110mm x 500mm	BZP	HDG	PC	PG	SS	CPC
AM110.550	110mm x 550mm	BZP	HDG	PC	PG	SS	CPC
AM110.600	110mm x 600mm	BZP	HDG	PC	PG	SS	CPC
AM110.700	110mm x 700mm	BZP	HDG	PC	PG	SS	CPC
AM110.800	110mm x 800mm	BZP	HDG	PC	PG	SS	CPC
AM110.900	110mm x 900mm	BZP	HDG	PC	PG	SS	CPC



For finish please add the suffix: e.g. AM110.300/HDG

AM160 160MM SIDE HEIGHT CABLE BASKET							
Part No.	Size	Finish	Alternative Finishes				
AM160.150	160mm x 150mm	BZP	HDG	PC	PG	SS	CPC
AM160.200	160mm x 200mm	BZP	HDG	PC	PG	SS	CPC
AM160.300	160mm x 300mm	BZP	HDG	PC	PG	SS	CPC
AM160.400	160mm x 400mm	BZP	HDG	PC	PG	SS	CPC
AM160.450	160mm x 450mm	BZP	HDG	PC	PG	SS	CPC
AM160.500	160mm x 500mm	BZP	HDG	PC	PG	SS	CPC
AM160.550	160mm x 550mm	BZP	HDG	PC	PG	SS	CPC
AM160.600	160mm x 600mm	BZP	HDG	PC	PG	SS	CPC
AM160.700	160mm x 700mm	BZP	HDG	PC	PG	SS	CPC
AM160.800	160mm x 800mm	BZP	HDG	PC	PG	SS	CPC
AM160.900	160mm x 900mm	BZP	HDG	PC	PG	SS	CPC



For finish please add the suffix: e.g. AM160.300/HDG

ALTERNATIVE SIZES OF WIRE MESH CABLE BASKET
AVAILABLE ON REQUEST

A technical specification is available in PDF format on request.

Specification

Standard Length supplied is 3 metres

Finishes

/PG	= Pre Galvanised to standard BS EN 10346:2015
/BZP	= Bright Zinc Plated BS 10244-2
/PC	= Powder Coated to standard BS EN 13438:2013
/HDG	= Hot Dipped Galvanised to standard BS EN ISO 1461
/SS304	= 304 Grade Stainless Steel to standard BS EN 10088-1 :2014
/SS316	= 316 Grade Stainless Steel to standard BS EN 10088-1 :2014
/CPC	= Clear Polyester Coated to standard BS EN 50085-2-1 :2016

CABLE BASKET SYSTEMS

WIRE MESH CABLE BASKET ACCESSORIES

QUICK FIT COUPLER BOXED IN 50 (EACH)

Part No.	Size	Finish	Alternative Finishes				
AMQC35	35mm	BZP	HDG	PC	SS	PG	CPC
*AMQC60	60mm	BZP	HDG	PC	SS	PG	CPC

*To be used with 110mm deep basket + 160mm basket



4 PART CLAMP KIT BOXED IN 50 (SETS)

Part No.	Size	Finish	Alternative Finishes				
AMCK	Universal	BZP	HDG	PC	SS	PG	CPC



HOLD DOWN CLAMP - HOLE SIZE - M8 BOXED IN 50 (EACH)

Part No.	Size	Finish	Alternative Finishes				
AMHDC	All sizes	BZP	HDG	PC	SS	PG	CPC
AMHDC/35	Suit AM35-80* only	BZP	HDG	PC	SS	PG	CPC

* To suit AM35-80 basket only



CENTRAL SUPPORT HANGER - HOLE SIZE - M8 BOXED IN 50 (PAIRS)

Part No.	Size	Finish	Alternative Finishes				
AMCSH/2	Universal	BZP	HDG	PC	SS	PG	CPC



FAST FIX CHANNEL CLIP BOXED IN 50 (EACH)

Part No.	Size	Finish	Alternative Finishes				
AMFFC	Universal	BZP	HDG	PC	SS	PG	CPC



SIDE - SUSPENSION HANGER - HOLE SIZE - M8 BOXED IN 50 (EACH)

Part No.	Size	Finish	Alternative Finishes				
AMSH	-	BZP	HDG	PC	SS	PG	CPC



CABLE BASKET SYSTEMS

WIRE MESH CABLE BASKET ACCESSORIES

WALL FIXING BRACKET - HOLE SIZE M8 BOXED IN 50						
Part No.	Size	Finish	Alternative Finishes			
AMWF	Universal	PG	HDG	PC	SS	CPC



WALL MOUNTING PLATE - DOES NOT SUIT 35mm BASKET BOXED IN 50						
Part No.	Size	Finish	Alternative Finishes			
AMWP60	60mm/110mm	PG	HDG	PC	SS	CPC

Available in 35mm



EARTH BRAID BOXED IN 100						
Part No.	Size	Finish	Alternative Finishes			
AMEB	Universal	Copper Tinned				



EARTH TERMINAL BOXED IN 25						
Part No.	Size	Finish	Alternative Finishes			
AMET	-	Brass Terminal PG Plate				



CLIP IN FLOOR BRACKET - FOR USE WITH ALL CABLE BASKET SIZES BOXED IN 50						
Part No.	Size	Finish	Alternative Finishes			
AMFB	Universal	PG	HDG	PC	SS	CPC



QUICK FIX CLIP IN FLOOR BRACKET						
Part No.	Size	Finish	Alternative Finishes			
AMCFB	100mm – 600mm	PG	HDG	PC	SS	CPC

Please note this bracket is not suitable when using basket divider

*Please add size to part number when ordering i.e. AMCFB300



CABLE BASKET SYSTEMS

WIRE MESH CABLE BASKET ACCESSORIES

STAND OFF BRACKET (WALL/FLOOR BRACKET)

Part No.	Size	Finish	Alternative Finishes			
AMSOB	50mm – 600mm	PG	HDG	PC	SS	CPC

40mm stand off depth

*Please add size to part number when ordering i.e. AMSOB300



SUSPENSION HANGER BRACKET - HOLE SIZE - M10

Part No.	Size	Finish	Alternative Finishes			
AMSHB	50mm – 600mm	PG	HDG	PC	SS	CPC

*Please add size to part number when ordering i.e. AMSHB200



CONDUIT TAKE OFF BRACKET BOXED IN 50

Part No.	Size	Finish	Alternative Finishes			
AMCMP35	35mm	PG	HDG	PC	SS	CPC
AMCMP60	60mm	PG	HDG	PC	SS	CPC
AMCMP110	110mm	PG	HDG	PC	SS	CPC

* Use AMCMP110 for 160mm



FAST FIX CABLE DIVIDERS

Part No.	Size	Finish	Alternative Finishes			
AMDIV35/FF	35mm x 3m	PG	HDG	PC	SS	CPC
AMDIV60/FF	60mm x 3m	PG	HDG	PC	SS	CPC
AMDIV110/FF	110mm x 3m	PG	HDG	PC	SS	CPC



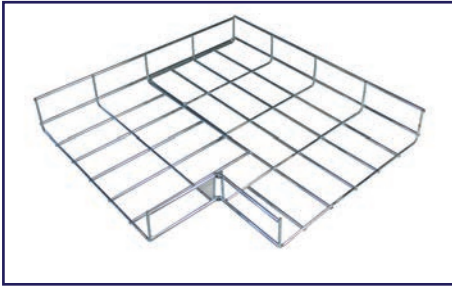
DIVIDER - ONE AMCK (JOINT CLAMP) PER MTRE RECOMMENDED TO ATTACH TO CABLE BASKET

Part No.	Size	Finish	Alternative Finishes			
AMDIV35	35mm – 3m	PG	HDG	PC	SS	CPC
AMDIV60	60mm – 3m	PG	HDG	PC	SS	CPC
AMDIV110	110mm – 3m	PG	HDG	PC	SS	CPC



BESPOKE BASKET SOLUTIONS EXAMPLES

CABLE BASKET BEND



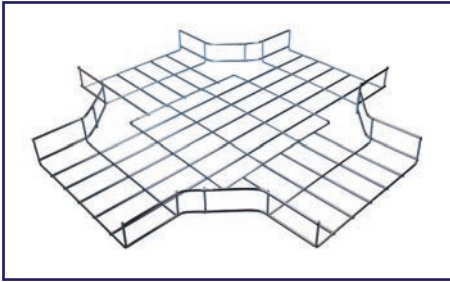
45 DEGREE BEND



CABLE BASKET TEE



CABLE BASKET FOURWAY



PREFABRICATED BEND



PREFABRICATED TEE



CABLE BASKET DIVIDER



FACTORY FITTED SECURITY TRUNKING WITH WIRE BASKET

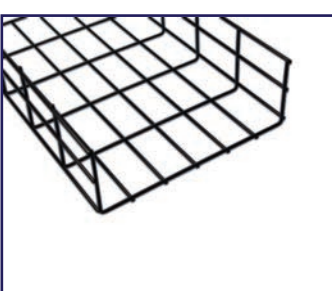


CABLE EXIT WATERFALLS FULLY ADJUSTABLE VERTICALLY AND HORIZONTALLY



PLEASE NOTE ALTERNATIVE BASKET ACCESSORIES AVAILABLE

POWDER COATED EXAMPLES



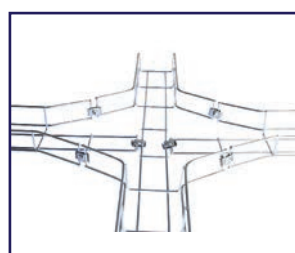
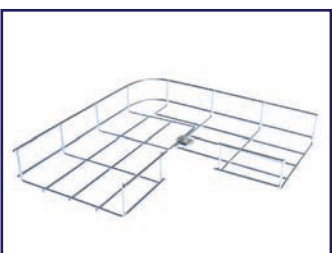
WATERFALL BEND



POWDER COATED SOLID BEND



DROP OUT PLATE



FAST FIX HOLD DOWN CLAMP

CABLE BASKET SYSTEMS

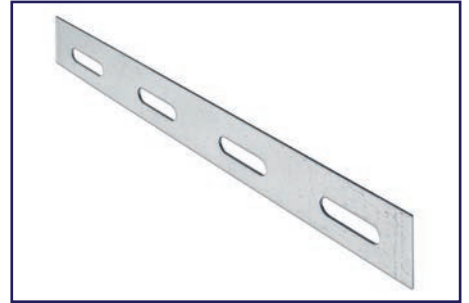
WIRE MESH CABLE BASKET ACCESSORIES

LID						
Part No.	Size	Finish	Alternative Finishes			
AMLID supplied with fixing clips	50mm – 600mm	PG	HDG	PC	SS	CPC

*Please add size to part number when ordering i.e. AMLID200



SPLICE PLATE BOXED IN 50					
Part No.	Size	Finish	Alternative Finishes		
AMSP	Universal	PG	HDG	PC	



JOINTING COUPLER PLATES					
Part No.	Size	Finish	Alternative Finishes		
AMJP	Universal	PG	HDG	PC	



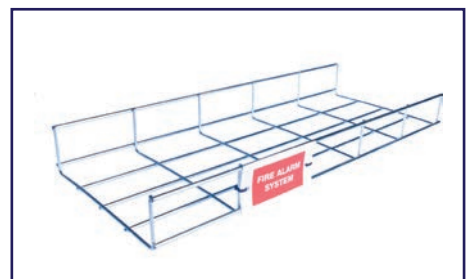
BOLT CROPPERS					
Part No.	Size				
AMNIP	Universal				



BASKET LINER/DATA MATTING				
Part No.	Size	Colour	Specification	
AMBL	50mm – 900mm	Various	LSF	
AMDM	50mm – 900mm	Various	LSF	



CABLE MARKERS				
Part No.			Finish	Specification
AMCM Prefix with lettering required	-		Plastic	LSF



WIRE MESH CABLE BASKET ACCESSORIES

HORIZONTAL CHANNEL SUPPORT BRACKETS

Standard Finish Hot Dip Galvanised Alternative Epoxy Powder Coated

Part No.	Size
AMCSB150	150mm
AMCSB300	300mm
AMCSB450	450mm
AMCSB600	600mm
AMCSB750	750mm
AMCSB900	900mm



WALL BRACKET

Standard Finish Pre-galvanised

Part No.	Size
AMWB.100	70mm x 100mm
AMWB.150	70mm x 150mm
AMWB.200	70mm x 200mm
AMWB.300	70mm x 300mm
AMWB.450	70mm x 450mm



To be used with 35, 60, 110, 160mm Basket

CLIP IN CEILING BRACKET

Standard Finish Pre-galvanised

Part No.	Size
AMSC.100	110mm x 100mm
AMSC.150	110mm x 150mm
AMSC.200	110mm x 200mm
AMSC.300	110mm x 300mm
AMSC.400	110mm x 400mm
AMSC.450	110mm x 450mm



To be used with 35, 60, 110mm Basket

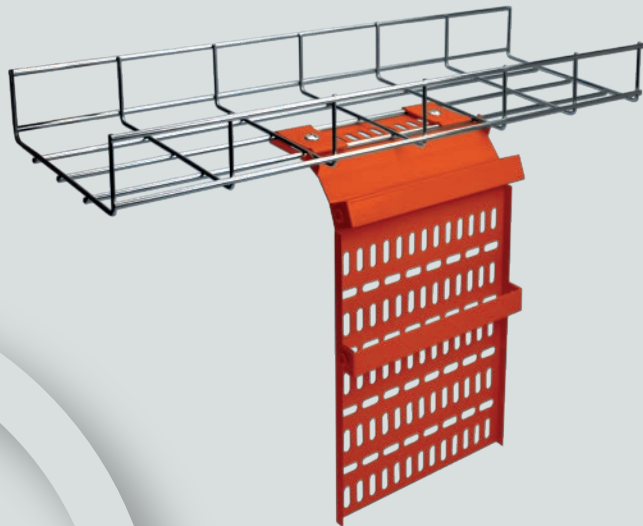
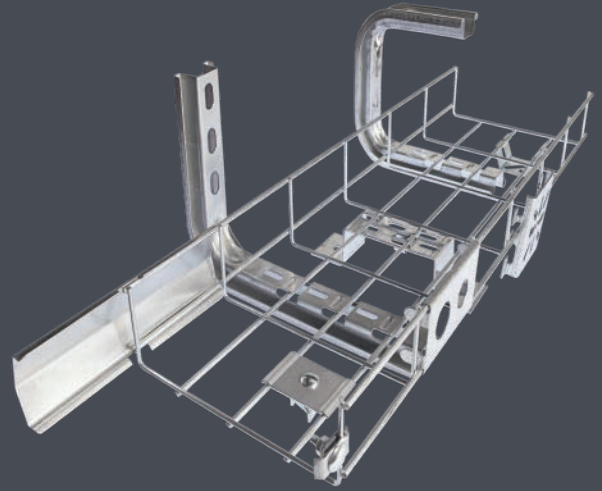
OVERHEAD HANGER

Standard Finish Pre-Galvanised

Part No.	Size
AOHB50	180mm x 50mm
AOHB75	180mm x 75mm
AOHB100	180mm x 100mm
AOHB150	180mm x 150mm
AOHB200	180mm x 200mm
AOHB250	180mm x 250mm
AOHB300	180mm x 300mm
AOHB400	180mm x 400mm
AOHB500	180mm x 500mm



SPECIALIST BASKET SOLUTIONS



Armorduct offer a comprehensive range of high quality light duty, medium duty return flange and heavy duty return flange cable tray and accessories with standard profiles as shown.

AVAILABLE FINISHES



SPECIFICATION OF CABLE TRAY

Cable trays have been tested and are manufactured in accordance with the following

- /PG = Pre Galvanised to standard BS EN 10346: 2015
- /HDG = Hot Dipped Galvanised to standard EN ISO 1461
- /PC = Powder Coated to standard BS EN 13438:2013
- /SS304 = 304 Grade Stainless Steel to standard BS EN 10088-2 :2014
- /SS316 = 316 Grade Stainless Steel to standard BS EN 10088-2 :2014
- /ALI = Aluminium to standard BS EN AW 1050A H14
- /CPC = Clear Polyester Coated to standard BS EN 50085-2-1: 2006

Please note: Couplers, fixing screws and nuts are not provided as standard and should always be ordered separately.

Alternative lengths can be made to order. If any of these cable tray products do not meet your requirements, please contact us to discuss our range of non-standard products, GRP and magnelis range.



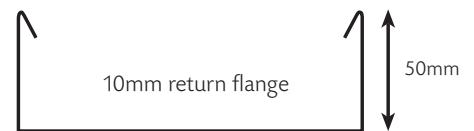
Light Duty Tray - standard height 15mm



Medium Duty Tray - standard height 25mm



Heavy Duty Tray - standard height 50mm



A technical specification is available in PDF format on request.

Please contact us for further details on our GRP range

CABLE TRAY

Available in

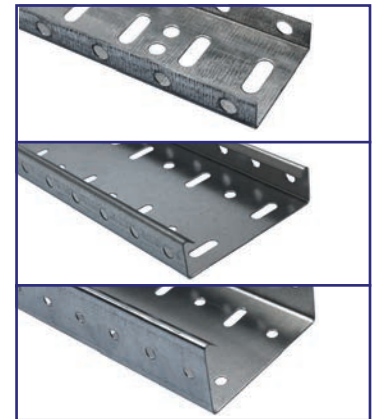


Please note: Use the suffix ie: AMD2/SS304 for alternative finishes.

TRAY

	50mm	75mm	100mm	150mm	225mm	300mm	450mm	600mm	750mm	900mm
LIGHT	ALD2	ALD3	ALD4	ALD6	ALD9	ALD12	ALD18	ALD24	ALD30	ALD36
MEDIUM	AMD2	AMD3	AMD4	AMD6	AMD9	AMD12	AMD18	AMD24	AMD30	AMD36
HEAVY	AHD2	AHD3	AHD4	AHD6	AHD9	AHD12	AHD18	AHD24	AHD30	AHD36

Please note all light duty tray and accessories do not have a return edge.



FLAT BEND 90°

	50mm	75mm	100mm	150mm	225mm	300mm	450mm	600mm	750mm	900mm
LIGHT	ALDB2	ALDB3	ALDB4	ALDB6	ALDB9	ALDB12	ALDB18	ALDB24	ALDB30	ALDB36
MEDIUM	AMDB2	AMDB3	AMDB4	AMDB6	AMDB9	AMDB12	AMDB18	AMDB24	AMDB30	AMDB36
HEAVY	AHDB2	AHDB3	AHDB4	AHDB6	AHDB9	AHDB12	AHDB18	AHDB24	AHDB30	AHDB36



FLAT BEND 45°

	50mm	75mm	100mm	150mm	225mm	300mm	450mm	600mm	750mm	900mm
LIGHT	ALDF2	ALDF3	ALDF4	ALDF6	ALDF9	ALDF12	ALDF18	ALDF24	ALDF30	ALDF36
MEDIUM	AMDF2	AMDF3	AMDF4	AMDF6	AMDF9	AMDF12	AMDF18	AMDF24	AMDF30	AMDF36
HEAVY	AHDF2	AHDF3	AHDF4	AHDF6	AHDF9	AHDF12	AHDF18	AHDF24	AHDF30	AHDF36



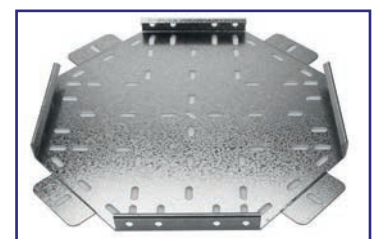
TEE

	50mm	75mm	100mm	150mm	225mm	300mm	450mm	600mm	750mm	900mm
LIGHT	ALDT2	ALDT3	ALDT4	ALDT6	ALDT9	ALDT12	ALDT18	ALDT24	ALDT30	ALDT36
MEDIUM	AMDT2	AMDT3	AMDT4	AMDT6	AMDT9	AMDT12	AMDT18	AMDT24	AMDT30	AMDT36
HEAVY	AHDT2	AHDT3	AHDT4	AHDT6	AHDT9	AHDT12	AHDT18	AHDT24	AHDT30	AHDT36



INTERSECTION

	50mm	75mm	100mm	150mm	225mm	300mm	450mm	600mm	750mm	900mm
LIGHT	ALDN2	ALDN3	ALDN4	ALDN6	ALDN9	ALDN12	ALDN18	ALDN24	ALDN30	ALDN36
MEDIUM	AMDN2	AMDN3	AMDN4	AMDN6	AMDN9	AMDN12	AMDN18	AMDN24	AMDN30	AMDN36
HEAVY	AHDN2	AHDN3	AHDN4	AHDN6	AHDN9	AHDN12	AHDN18	AHDN24	AHDN30	AHDN36





ADJUSTABLE INSIDE/OUTSIDE RISER

	50mm	75mm	100mm	150mm	225mm	300mm	450mm	600mm	750mm	900mm
LIGHT	ALDIO2	ALDIO3	ALDIO4	ALDIO6	ALDIO9	ALDIO12	ALDIO18	ALDIO24	ALDIO30	ALDIO36
MEDIUM	AMDIO2	AMDIO3	AMDIO4	AMDIO6	AMDIO9	AMDIO12	AMDIO18	AMDIO24	AMDIO30	AMDIO36
HEAVY	AHDIO2	AHDIO3	AHDIO4	AHDIO6	AHDIO9	AHDIO12	AHDIO18	AHDIO24	AHDIO30	AHDIO36



REDUCER

	50mm	75mm	100mm	150mm	225mm	300mm	450mm	600mm	750mm	900mm
LIGHT		ALDR3	ALDR4	ALDR6	ALDR9	ALDR12	ALDR18	ALDR24	ALDR30	ALDR36
MEDIUM		AMDR3	AMDR4	AMDR6	AMDR9	AMDR12	AMDR18	AMDR24	AMDR30	AMDR36
HEAVY		AHDR3	AHDR4	AHDR6	AHDR9	AHDR12	AHDR18	AHDR24	AHDR30	AHDR36

Please indicate reduction size showing the largest number first e.g. **AMDR6-4**.



COUPLER STRAIGHT (PAIR)

	50mm	75mm	100mm	150mm	225mm	300mm	450mm	600mm	750mm	900mm
LIGHT	ALDCS	ALDCS	ALDCS	ALDCS	ALDCS	ALDCS	ALDCS	ALDCS	ALDCS	ALDCS
MEDIUM	AMDCS	AMDCS	AMDCS	AMDCS	AMDCS	AMDCS	AMDCS	AMDCS	AMDCS	AMDCS
HEAVY	AHDCS	AHDCS	AHDCS	AHDCS	AHDCS	AHDCS	AHDCS	AHDCS	AHDCS	AHDCS

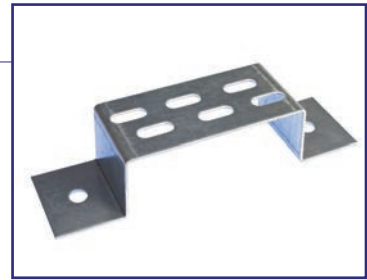


COUPLER ANGLED (PAIR)

	50mm	75mm	100mm	150mm	225mm	300mm	450mm	600mm	750mm	900mm
LIGHT	ALDACS	ALDACS	ALDACS	ALDACS	ALDACS	ALDACS	ALDACS	ALDACS	ALDACS	ALDACS
MEDIUM	AMDACS	AMDACS	AMDACS	AMDACS	AMDACS	AMDACS	AMDACS	AMDACS	AMDACS	AMDACS
HEAVY	AHDACS	AHDACS	AHDACS	AHDACS	AHDACS	AHDACS	AHDACS	AHDACS	AHDACS	AHDACS

STAND-OFF BRACKET - 50mm DEEP

50mm	75mm	100mm	150mm	225mm	300mm	450mm	600mm	750mm	900mm
ASOB2	ASOB3	ASOB4	ASOB6	ASOB9	ASOB12	ASOB18	ASOB24	ASOB30	ASOB36



CABLE TRAY LID

	50mm	75mm	100mm	150mm	225mm	300mm	450mm	600mm	750mm	900mm
LIGHT	ALD2LID	ALD3LID	ALD4LID	ALD6LID	ALD9LID	ALD12LID	ALD18LID	ALD24LID	ALD30LID	ALD36LID
MEDIUM	AMD2LID	AMD3LID	AMD4LID	AMD6LID	AMD9LID	AMD12LID	AMD18LID	AMD24LID	AMD30LID	AMD36LID
HEAVY	AHD2LID	AHD3LID	AHD4LID	AHD6LID	AHD9LID	AHD12LID	AHD18LID	AHD24LID	AHD30LID	AHD36LID



Please use suffix **CC** for closed cover or **VC** for ventilated cover.
C/W fixing brackets

EARTH BRAID

100mm Long

Longer lengths available

AMEB



FIXING SCREW AND NUT

M6X16



CABLE TRAY DIVIDER

	50mm	75mm	100mm	150mm	225mm	300mm	450mm	600mm	750mm	900mm
LIGHT	ALDIV	ALDIV	ALDIV	ALDIV	ALDIV	ALDIV	ALDIV	ALDIV	ALDIV	ALDIV
MEDIUM	AMDIV	AMDIV	AMDIV	AMDIV	AMDIV	AMDIV	AMDIV	AMDIV	AMDIV	AMDIV
HEAVY	AHDIV	AHDIV	AHDIV	AHDIV	AHDIV	AHDIV	AHDIV	AHDIV	AHDIV	AHDIV

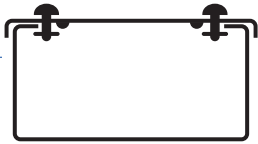


We have the facility to offer multi-compartment cable tray with welded divider to suit your requirements.

OVERHEAD HANGER

50mm	75mm	100mm	150mm	225mm	300mm	450mm	600mm	750mm	900mm
AOHB50	AOHB75	AOHB100	AOHB150	AOHB225	AOHB300	AOHB450	AOHB600	x	x





Turnbuckle Lid Fixing

TRUNKING

Armorduct offer a comprehensive range of standard returned edge surface trunking, single or multi compartment.

Both the lid and the body are supplied in 3 metre lengths complete with coupler and all necessary fixing screws.

All the trunking accessories are supplied with all necessary fixing screws.

All couplers are supplied with captive threaded bushes, and all accessories are generally of weldless manufacture fitted with integral couplers.

As well as our standard turnbuckle we offer screw fix, security screw fix and lockable lid fixings.

A complete range of surface trunking is available in 2, 3 or 4 compartment variations.

AVAILABLE FINISHES



Please note: HDG finish is only available in 2 mtr lengths

SPECIFICATION OF STANDARD SURFACE TRUNKING

Trunking system meets the requirements of the following

- /PG = Pre Galvanised to standard BS EN 10346: 2015
- /HDG = Hot Dipped Galvanised to standard EN ISO 1461
- /PC = Powder Coated to standard BS EN 13438:2013
- /WP = Weatherproof to standard IP54 or CPC Coating BS EN 50085-2-1:2006
- /SS304 = 304 Grade Stainless Steel to standard BS EN 10088-2 :2014
- /SS316 = 316 Grade Stainless Steel to standard BS EN 10088-2 :2014
- /ALI = Aluminium to standard BS EN AW 1050A H14
- /CPC = Clear Polyester Coated to standard BS EN 50085-2-1: 2006

Please note: For finishes use suffix ie: AGT22/PC.

Alternative lengths can be made to order, if any of these cable trunking products do not meet your requirements, please contact us to discuss our range of non-standard products.



A technical specification is available in PDF format on request.

STANDARD TRUNKING SIZES

AGT

SIZE	50x25	50x50	75x50	75x75	100x50	100x75	100x100	150x50
AGT	21	22	32	33	42	43	44	62

SIZE	150x75	150x100	150x150	200x50	200x100	225x50	225x75	225x100
AGT	63	64	66	82	84	92	93	94

SIZE	225x150	225x225	300x50	300x75	300x100	300x150	300x225	300x300
AGT	96	99	122	123	124	126	129	1212

MULTI COMPARTMENT TRUNKING SIZES

SIZE	50x25	50x50	75x50	75x75	100x50	100x75	100x100	150x50
2 comp	AGT21/2	AGT22/2	AGT32/2	AGT33/2	AGT42/2	AGT43/2	AGT44/2	AGT62/2
3 comp	x	x	AGT32/3	AGT33/3	AGT42/3	AGT43/3	AGT44/3	AGT62/3
4 comp	x	x	x	x	x	x	x	AGT62/4

SIZE	150x75	150x100	150x150	200x50	200x100	225x50	225x75	225x100
2 comp	AGT63/2	AGT64/2	AGT66/2	AGT82/2	AGT84/2	AGT92/2	AGT93/2	AGT94/2
3 comp	AGT63/3	AGT64/3	AGT66/3	AGT82/3	AGT84/3	AGT92/3	AGT93/3	AGT94/3
4 comp	AGT63/4	AGT64/4	AGT66/4	AGT82/4	AGT84/4	AGT92/4	AGT93/4	AGT94/4

SIZE	225x150	225x225	300x50	300x75	300x100	300x150	300x225	300x300
2 comp	AGT96/2	AGT99/2	AGT122/2	AGT123/2	AGT124/2	AGT126/2	AGT129/2	AGT1212/2
3 comp	AGT96/3	AGT99/3	AGT122/3	AGT123/3	AGT124/3	AGT126/3	AGT129/3	AGT1212/3
4 comp	AGT96/4	AGT99/4	AGT122/4	AGT123/4	AGT124/4	AGT126/4	AGT129/4	AGT1212/4

SURFACE CABLE TRUNKING

Available in

/PG
pre galvanised

/HDG
hot dipped
galvanised

/PC
powder coated

/SS
stainless steel

/WP
weatherproof

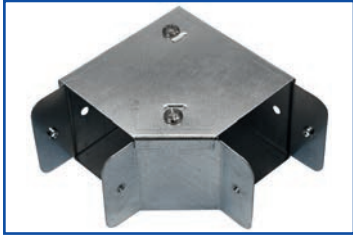
/ALI
aluminium

/CPC
clear polyester

Please note: use the suffix ie: **AGBT22/PC** for alternative finishes

Please use a suffix of **/2 /3 or /4** for multi compartment trunking and accessories i.e **AGBT 66/2**

Please use the prefix **ASBT** for square bends and **ASTT** for square tees



TOP LID GUSSET BEND 90°

AGBT

Part Number	50x50	75x50	75x75	100x50	100x75	100x100	150x50	150x75	150x100	150x150
AGBT	22	32	33	42	43	44	62	63	64	66



INSIDE LID GUSSET BEND 90°

AGBI

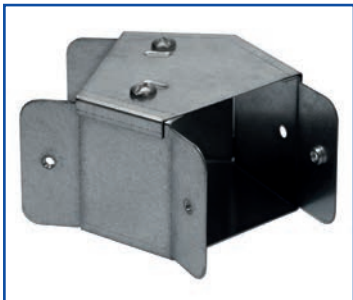
Part Number	50x50	75x50	75x75	100x50	100x75	100x100	150x50	150x75	150x100	150x150
AGBI	22	32	33	42	43	44	62	63	64	66



OUTSIDE LID GUSSET BEND 90°

AGBO

Part Number	50x50	75x50	75x75	100x50	100x75	100x100	150x50	150x75	150x100	150x150
AGBO	22	32	33	42	43	44	62	63	64	66



TOP LID GUSSET BEND 45°

AFBT

Part Number	50x50	75x50	75x75	100x50	100x75	100x100	150x50	150x75	150x100	150x150
AFBT	22	32	33	42	43	44	62	63	64	66



INSIDE LID GUSSET BEND 45°

AFBI

Part Number	50x50	75x50	75x75	100x50	100x75	100x100	150x50	150x75	150x100	150x150
AFBI	22	32	33	42	43	44	62	63	64	66

SURFACE CABLE TRUNKING

Please use a suffix of /2 /3 or /4 for multi compartment trunking and accessories i.e AGBT 22/3

OUTSIDE LID GUSSET BEND 45°

AFBO

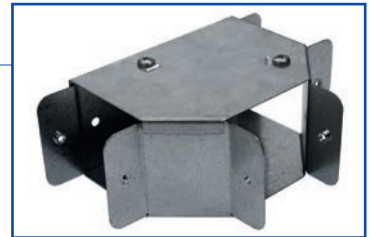
Part Number	50x50	75x50	75x75	100x50	100x75	100x100	150x50	150x75	150x100	150x150
AFBO	22	32	33	42	43	44	62	63	64	66



TOP LID GUSSET TEE

AGTT

Part Number	50x50	75x50	75x75	100x50	100x75	100x100	150x50	150x75	150x100	150x150
AGTT	22	32	33	42	43	44	62	63	64	66



INSIDE LID GUSSET TEE

AGTI

Part Number	50x50	75x50	75x75	100x50	100x75	100x100	150x50	150x75	150x100	150x150
AGTI	22	32	33	42	43	44	62	63	64	66



OUTSIDE LID GUSSET TEE

AGTO

Part Number	50x50	75x50	75x75	100x50	100x75	100x100	150x50	150x75	150x100	150x150
AGTO	22	32	33	42	43	44	62	63	64	66



GUSSET INTERSECTION

AINT

Part Number	50x50	75x50	75x75	100x50	100x75	100x100	150x50	150x75	150x100	150x150
AINT	22	32	33	42	43	44	62	63	64	66



SURFACE CABLE TRUNKING

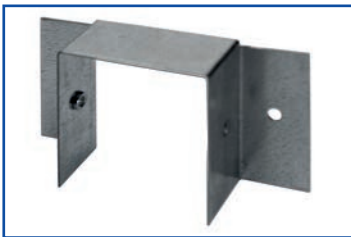
Please use a suffix of /2 /3 or /4 for multi compartment trunking and accessories i.e AGBT 22/3



BLANK END

ABE

Part Number	50x50	75x50	75x75	100x50	100x75	100x100	150x50	150x75	150x100	150x150
ABE	22	32	33	42	43	44	62	63	64	66



FLANGE PLATE

AFP

Part Number	50x50	75x50	75x75	100x50	100x75	100x100	150x50	150x75	150x100	150x150
AFP	22	32	33	42	43	44	62	63	64	66



SHORT COUPLER

ASCC

Part Number	50x50	75x50	75x75	100x50	100x75	100x100	150x50	150x75	150x100	150x150
ASCC	22	32	33	42	43	44	62	63	64	66



CABLE RETAINER

ACR

Part Number	50x50	75x50	75x75	100x50	100x75	100x100	150x50	150x75	150x100	150x150
ACR	2	3	3	4	4	4	6	6	6	6



PIN RACK

APR

Part Number	50x50	75x50	75x75	100x50	100x75	100x100	150x50	150x75	150x100	150x150
APR	22	32	33	42	43	44	62	63	64	66

SURFACE CABLE TRUNKING

Please use a suffix of /2 /3 or /4 for multi compartment trunking and accessories i.e AGBT 22/3

FITTING COUPLER

ASL

Part Number	50x50	75x50	75x75	100x50	100x75	100x100	150x50	150x75	150x100	150x150
ASL	22	32	33	42	43	44	62	63	64	66

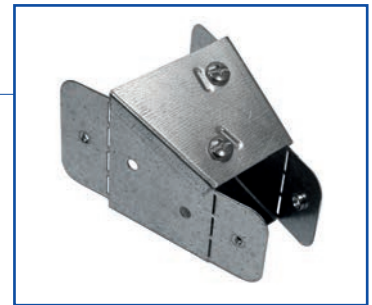


FLARED REDUCER

AFLR

Part Number	50x50	75x50	75x75	100x50	100x75	100x100	150x50	150x75	150x100	150x150
AFLR	22	32	33	42	43	44	62	63	64	66

Please indicate reduction size showing the largest number first e.g. AFLR66-44



SUSPENSION HANGER

ASH

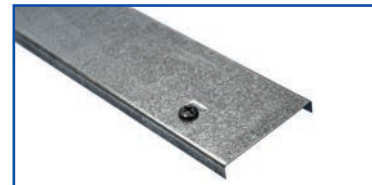
Part Number	50x50	75x50	75x75	100x50	100x75	100x100	150x50	150x75	150x100	150x150
ASH	22	32	33	42	43	44	62	63	64	66



TRUNKING LID (SUPPLIED IN 3 METRE LENGTHS)

ALID

Part Number	50x50	75x50	75x75	100x50	100x75	100x100	150x50	150x75	150x100	150x150
ALID	22	32	33	42	43	44	62	63	64	66



EARTH LINK

AEL

COPPER EARTH LINK

CEL



TURNBUCKLE

SHORT ALL LARGER SIZES ATB/S
LONG (FOR 50x50mm) ATB/L



M5 x 6mm FIXING SCREWS AM5S

M5 HEX NUTS

AM5N



IP4X

Please note: Use the suffix ie: AGT22/IP4X/HDG for alternative finishes.

Please use the prefix ASBT for square bends and ASTT for square tees.

Please note: HDG finish is only available in 2 mtr lengths.

Available in



STANDARD TRUNKING SIZES



IP4X Length

AGT/IP4X

SIZE	50x25	50x50	75x50	75x75	100x50	100x75	100x100	150x50
	AGT21 /IP4X	AGT22 /IP4X	AGT32 /IP4X	AGT33 /IP4X	AGT42 /IP4X	AGT43 /IP4X	AGT44 /IP4X	AGT62 /IP4X
SIZE	150x75	150x100	150x150	200x50	200x100	225x50	225x75	225x100
	AGT63 /IP4X	AGT64 /IP4X	AGT66 /IP4X	AGT82 /IP4X	AGT84 /IP4X	AGT92 /IP4X	AGT93 /IP4X	AGT94 /IP4X
SIZE	225x150	225x225	300x50	300x75	300x100	300x150	300x225	300x300
	AGT96 /IP4X	AGT99 /IP4X	AGT122 /IP4X	AGT123 /IP4X	AGT124 /IP4X	AGT126 /IP4X	AGT129 /IP4X	AGT1212 /IP4X



IP4X Internal Coupler

ASICC/IP4X

SIZE	50x50	75x50	75x75	100x50	100x75
	ASICC22/IP4X	ASICC32/IP4X	ASICC33/IP4X	ASICC42/IP4X	ASICC43/IP4X
SIZE	100x100	150x50	150x75	150x100	150x150
	ASICC44/IP4X	ASICC62/IP4X	ASICC63/IP4X	ASICC64/IP4X	ASICC66/IP4X



IP4X External Joint Cover

ASECC/IP4X

SIZE	50x50	75x50	75x75	100x50	100x75
	ASECC22/IP4X	ASECC32/IP4X	ASECC33/IP4X	ASECC42/IP4X	ASECC43/IP4X
SIZE	100x100	150x50	150x75	150x100	150x150
	ASECC44/IP4X	ASECC62/IP4X	ASECC63/IP4X	ASECC64/IP4X	ASECC66/IP4X



IP4X Top Lid Gusset Bend 90°

AGBT/IP4X

SIZE	50x50	75x50	75x75	100x50	100x75
	AGBT22/IP4X	AGBT32/IP4X	AGBT33/IP4X	AGBT42/IP4X	AGBT43/IP4X
SIZE	100x100	150x50	150x75	150x100	150x150
	AGBT44/IP4X	AGBT62/IP4X	AGBT63/IP4X	AGBT64/IP4X	AGBT66/IP4X

IP4X Inside Lid Gusset Bend 90°

AGBI/IP4X

SIZE	50x50	75x50	75x75	100x50	100x75
	AGBI22/IP4X	AGBI32/IP4X	AGBI33/IP4X	AGBI42/IP4X	AGBI43/IP4X
SIZE	100x100	150x50	150x75	150x100	150x150
	AGBI44/IP4X	AGBI62/IP4X	AGBI63/IP4X	AGBI64/IP4X	AGBI66/IP4X



IP4X Outside Lid Gusset Bend 90°

AGBO/IP4X

SIZE	50x50	75x50	75x75	100x50	100x75
	AGBO22/IP4X	AGBO32/IP4X	AGBO33/IP4X	AGBO42/IP4X	AGBO43/IP4X
SIZE	100x100	150x50	150x75	150x100	150x150
	AGBO44/IP4X	AGBO62/IP4X	AGBO63/IP4X	AGBO64/IP4X	AGBO66/IP4X



IP4X Top Lid Gusset Bend 45°

AFBT/IP4X

SIZE	50x50	75x50	75x75	100x50	100x75
	AFBT22/IP4X	AFBT32/IP4X	AFBT33/IP4X	AFBT42/IP4X	AFBT43/IP4X
SIZE	100x100	150x50	150x75	150x100	150x150
	AFBT44/IP4X	AFBT62/IP4X	AFBT63/IP4X	AFBT64/IP4X	AFBT66/IP4X



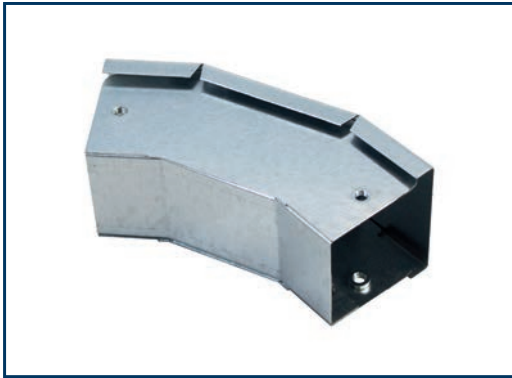
IP4X Inside Lid Gusset Bend 45°

AFBI/IP4X

SIZE	50x50	75x50	75x75	100x50	100x75
	AFBI22/IP4X	AFBI32/IP4X	AFBI33/IP4X	AFBI42/IP4X	AFBI43/IP4X
SIZE	100x100	150x50	150x75	150x100	150x150
	AFBI44/IP4X	AFBI62/IP4X	AFBI63/IP4X	AFBI64/IP4X	AFBI66/IP4X



IP4X



IP4X Outside Lid Gusset Bend 45°

AFBO/IP4X

SIZE	50x50	75x50	75x75	100x50	100x75
	AFBO22/IP4X	AFBO32/IP4X	AFBO33/IP4X	AFBO42/IP4X	AFBO43/IP4X
SIZE	100x100	150x50	150x75	150x100	150x150
	AFBO44/IP4X	AFBO62/IP4X	AFBO63/IP4X	AFBO64/IP4X	AFBO66/IP4X



IP4X Top Lid Gusset Tee

AGTT/IP4X

SIZE	50x50	75x50	75x75	100x50	100x75
	AGTT22/IP4X	AGTT32/IP4X	AGTT33/IP4X	AGTT42/IP4X	AGTT43/IP4X
SIZE	100x100	150x50	150x75	150x100	150x150
	AGTT44/IP4X	AGTT62/IP4X	AGTT63/IP4X	AGTT64/IP4X	AGTT66/IP4X



IP4X Inside Lid Gusset Tee

AGTI/IP4X

SIZE	50x50	75x50	75x75	100x50	100x75
	AGTI22/IP4X	AGTI32/IP4X	AGTI33/IP4X	AGTI42/IP4X	AGTI43/IP4X
SIZE	100x100	150x50	150x75	150x100	150x150
	AGTI44/IP4X	AGTI62/IP4X	AGTI63/IP4X	AGTI64/IP4X	AGTI66/IP4X



IP4X Outside Lid Gusset Tee

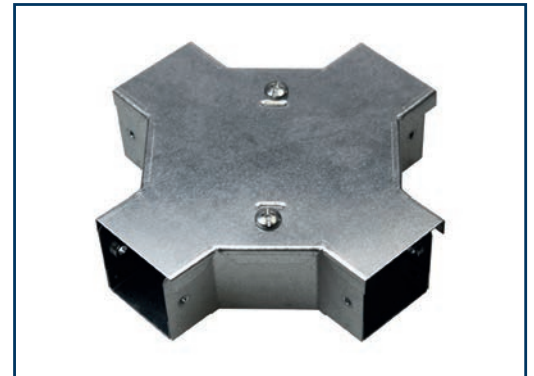
AGTO/IP4X

SIZE	50x50	75x50	75x75	100x50	100x75
	AGTO22/IP4X	AGTO32/IP4X	AGTO33/IP4X	AGTO42/IP4X	AGTO43/IP4X
SIZE	100x100	150x50	150x75	150x100	150x150
	AGTO44/IP4X	AGTO62/IP4X	AGTO63/IP4X	AGTO64/IP4X	AGTO66/IP4X

IP4X Gusset Intersection

AINT/IP4X

SIZE	50x50	75x50	75x75	100x50	100x75
	AINT22/IP4X	AINT32/IP4X	AINT33/IP4X	AINT42/IP4X	AINT43/IP4X
SIZE	100x100	150x50	150x75	150x100	150x150
	AINT44/IP4X	AINT62/IP4X	AINT63/IP4X	AINT64/IP4X	AINT66/IP4X



IP4X 90° Sharp Bend (non Gusseted)

ASBT/IP4X

SIZE	50x50	75x50	75x75	100x50	100x75
	ASBT22/IP4X	ASBT32/IP4X	ASBT33/IP4X	ASBT42/IP4X	ASBT43/IP4X
SIZE	100x100	150x50	150x75	150x100	150x150
	ASBT44/IP4X	ASBT62/IP4X	ASBT63/IP4X	ASBT64/IP4X	ASBT66/IP4X



IP4X Sharp Tee (non Gusseted)

ASTT/IP4X

SIZE	50x50	75x50	75x75	100x50	100x75
	ASTT22/IP4X	ASTT32/IP4X	ASTT33/IP4X	ASTT42/IP4X	ASTT43/IP4X
SIZE	100x100	150x50	150x75	150x100	150x150
	ASTT44/IP4X	ASTT62/IP4X	ASTT63/IP4X	ASTT64/IP4X	ASTT66/IP4X



IP4X Blank End

ABE/IP4X

SIZE	50x50	75x50	75x75	100x50	100x75
	ABE22/IP4X	ABE32/IP4X	ABE33/IP4X	ABE42/IP4X	ABE43/IP4X
SIZE	100x100	150x50	150x75	150x100	150x150
	ABE44/IP4X	ABE62/IP4X	ABE63/IP4X	ABE64/IP4X	ABE66/IP4X



LIGHTING TRUNKING



TRUNKING

A range of 50mm x 50mm lighting trunking and accessories supplied in 3 and 5 metre lengths and manufactured from galvanised sheet steel.

Individual lengths of trunking are connected together by 300mm long internal sleeve couplers.

The trunking lid is designed to clip into the body of the trunking section and is manufactured from steel in 2 metre length or plastic in standard lengths of 2 metres and 3 metres.

MATERIAL SPECIFICATION

Trunking system meets the requirements

Mild steel pre galvanised manufactured from steel complying with BS EN 10346:2015
Continuously hot-dip coated steel flat products

ALTERNATIVE SPECIFICATIONS

- Size** Trunking is also available in 50mm x 25mm specification, prices available on application.
- Finish** Powder coat in a variety of colours.
- Length** Alternative lengths are available up to 6 metres.

DEFLECTION TABLE

4.0m lengths supported at 3m centres using 300mm connectors.

Load (Kg)	A (mm)	B (mm)	C (mm)
5	1.8	2.5	1.8
7	2.3	2.7	2.3
9	2.8	2.9	2.8
11	3.3	3.1	3.3
13	3.8	3.3	3.8
15	4.3	3.6	4.3
18	5.0	4.0	5.0
22	6.0	4.5	6.0

Tested using: 4.0m lengths

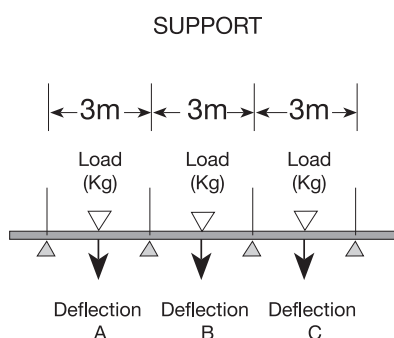
300mm long connectors

2.0m lengths surface mounting steel cover

Weight:	1 length trunking	6.542 Kg
	1 connector	0.150 Kg
	2 lengths of cover	0.906 Kg
	Total	7.598 Kg

Deflection figures shown in the table do not exceed the recommended maximum beam deflections defined in BS EN 10346:2015.

A technical specification is available in PDF format on request.



LIGHTING TRUNKING

5 METRE LENGTH ASG55/5

3 METRE LENGTH ASG55/3



TRUNKING CAPPING (WHITE)

2 METRE PLASTIC - APCW/2



GALV

2 METRE ASCG



STRAIGHT CONNECTOR

ALCC55



HORIZONTAL BEND

A2WC55



HORIZONTAL 45°BEND

A2WC55/45



HORIZONTAL TEE

A3WC55



LIGHTING TRUNKING



HORIZONTAL CROSS

A4WC55



EXTERNAL 90° BEND

ARBC55



EXTERNAL 45° BEND

ARBC55/45



INTERNAL 90° BEND

ADBC55



INTERNAL 45° BEND

ADBC55/45



END PLATE

AEP55

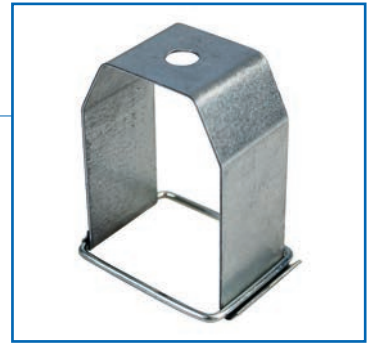


FLANGED END PLATE

AFEP55

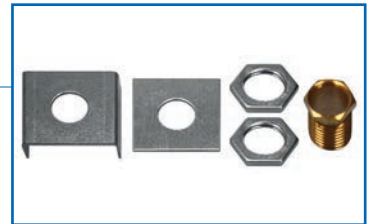
STIRRUP HANGER

C/W 10.5mm HOLE ASSB55/10
C/W 20.5mm HOLE ASSB55/20



BUSH SUSPENSION SET

ABSS



GIRDER CLAMP C/W SCREW

AGC55



CABLE RETAINER

ACR55



CONDUIT AND CONDUIT FITTINGS

DESCRIPTION

A comprehensive product range of conduit, accessories and installation fittings for use in areas where hygiene regulations and tolerance to corrosion require the highest quality products manufactured from the highest quality materials.

The comprehensive range is supplied in 20mm, 25mm and 32mm from 316L (1.4404) +304 (1,4301) stainless steel, manufactured to meet the general requirements.

Conduit boxes achieve ratings of IP67 and are designed with flat backs to ensure easy cleaning where hygiene is a prime consideration. Visible gaskets allow quick visual confirmation of the integrity of the system.

STANDARD SPECIFICATION

British Standard	Manufactured to meet the general requirements of BS 4568: Part 1: and Part 2: 1970
Material Type	Stainless Steel 1.4404 - 316 1.4301 - 304
Ingress Protection	Conduit Boxes rated at IP67. Ingress protection ratings are maintained only when all entries are adequately sealed.
Material Finish	Conduit lengths are mechanically polish finish 3B Dull Buffed (Satin). Conduit accessories are chemically polished.
Gasket	Red silicon rubber (2mm) full gasket.
Technical	Standard metric thread ISO form 1.5mm pitch
Earthing	Earth terminal provided in each round conduit fitting box.

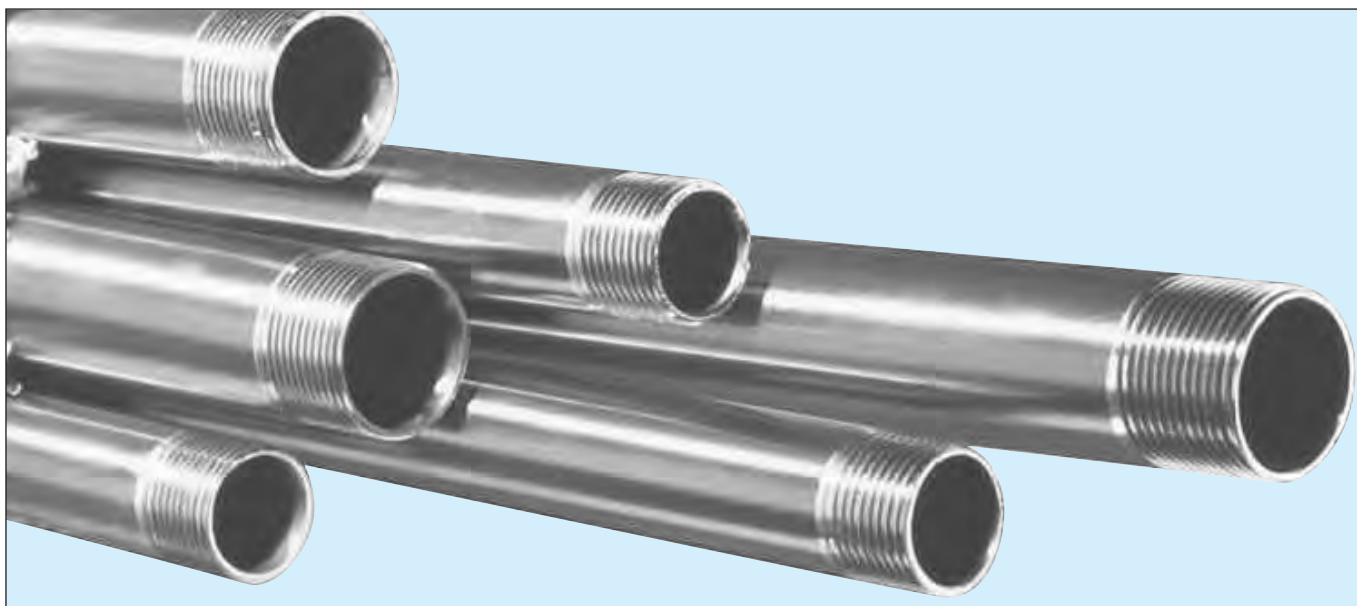
ORDERING INFORMATION

Please note

- 1 Conduit supplied in 3 metre lengths as standard.
Threaded shorter lengths are available to customer's specification.
- 2 Couplers should be ordered separately.
- 3 Conduit box accessories are supplied complete with gasket, lid and screws.

CONDUIT

SIZE	20mm	25mm	32mm
	SCOND/20/304	SCOND/25/304	
	SCOND/20/316	SCOND/25/316	SCOND/32/316



CONDUIT AND CONDUIT FITTINGS

TERMINAL BOX



SIZE	20mm	25mm	32mm
60mm Round Box	STERM/20/304	STERM/25/304	-
60mm Round Box	STERM/20/316	STERM/25/316	-
81mm Round Box	-	-	STERM/32/304
81mm Round Box	-	-	STERM/32/316

TWIN TERMINAL BOX



SIZE	25mm	32mm	
60mm Round Box	STWTE/25/304	-	
60mm Round Box	STWTE/25/316	-	

ANGLE BOX



SIZE	20mm	25mm	32mm
60mm Round Box	SANGL/20/304	SANGL/25/304	-
60mm Round Box	SANGL/20/316	SANGL/25/316	-
81mm Round Box	-	-	SANGL/32/304
81mm Round Box	-	-	SANGL/32/316

BRANCH 3 WAY BOX



SIZE	20mm	25mm	32mm
60mm Round Box	SBRAN/20/304	SBRAN/25/304	-
60mm Round Box	SBRAN/20/316	SBRAN/25/316	-

THROUGH BOX



SIZE	20mm	25mm	32mm
60mm Round Box	STHRU/20/304	STHRU/25/304	-
60mm Round Box	STHRU/20/316	STHRU/25/316	-
81mm Round Box	-	-	STHRU/32/304
81mm Round Box	-	-	STHRU/32/316

TWIN THROUGH BOX



SIZE	20mm	25mm	32mm
60mm Round Box	STWTH/20/304	STWTH/25/304	-
60mm Round Box	STWTH/20/316	STWTH/25/316	-

TEE BOX



SIZE	20mm	25mm	32mm
60mm Round Box	STEE/20/304	STEE/25/304	-
60mm Round Box	STEE/20/316	STEE/25/316	-
81mm Round Box	-	-	-
81mm Round Box	-	-	-

INSPECTION TEE



SIZE	20mm	25mm	32mm
	SITEE/20/304	SITEE/25/304	SITEE/32/304
	SITEE/20/316	SITEE/25/316	SITEE/32/316

INTERSECTION BOX



SIZE	20mm	25mm	32mm
60mm Round Box	SINT/20/304	SINT/25/304	-
60mm Round Box	SINT/20/316	SINT/25/316	-
81mm Round Box	-	-	SINT/32/304
81mm Round Box	-	-	SINT/32/316

INSPECTION BEND



SIZE	20mm	25mm	32mm
	SIBEN/20/304	SIBEN/25/304	-
	SIBEN/20/316	SIBEN/25/316	-

HOOK PLATE



SIZE	20mm	25mm	32mm
60mm Round Box	SHOOK/20/304	SHOOK/25/304	-
60mm Round Box	SHOOK/20/316	SHOOK/25/316	-
81mm Round Box	-	-	SHOOK/32/304
81mm Round Box	-	-	SHOOK/32/316

DOME COVER



SIZE	20mm	25mm	32mm
60mm Round Box	SDOME/20/304	SDOME/25/304	-
60mm Round Box	SDOME/20/316	SDOME/25/316	-
81mm Round Box	-	-	SDOME/32/304
81mm Round Box	-	-	SDOME/32/316

CONDUIT AND CONDUIT FITTINGS

LOCK RING



SIZE	20mm	25mm	32mm
	SLRIN/20/304	SLRIN/25/304	SLRIN/32/304
	SLRIN/20/316	SLRIN/25/316	SLRIN/32/316

FLANGED COUPLER



SIZE	20mm	25mm	
	SFCOU/20/304	SFCOU/25/304	
	SFCOU/20/316	SFCOU/25/316	

LOCK NUT



SIZE	20mm	25mm	
	SLNUT/20/304	SLNUT/25/304	
	SLNUT/20/316	SLNUT/25/316	

NIPPLES



SIZE	20mm	25mm	32mm
	SNIPP/20/304	SNIPP/25/304	SNIPP/32/304
	SNIPP/20/316	SNIPP/25/316	SNIPP/32/316

FEMALE BUSH



SIZE	20mm	25mm	32mm
	SFBUS/20/304	SFBUS/25/304	SFBUS/32/304
	SFBUS/20/316	SFBUS/25/316	SFBUS/32/316

MALE BUSH



SIZE	20mm	25mm	
	SMBUS/20/304	SMBUS/25/304	
	SMBUS/20/316	SMBUS/25/316	

REDUCER



SIZE	20mm	25mm	
		SR25/20/304	
		SR25/20/316	

DISTANCE SADDLE (6mm Stand Off)



SIZE	20mm	25mm	32mm
	SDIST/20/304	SDIST/25/304	SDIST/32/304
	SDIST/20/316	SDIST/25/316	SDIST/32/316

STOP PLUG



SIZE	20mm	25mm	32mm
	SPLU/20/304	SPLU/25/304	SPLU/32/304
	SPLU/20/316	SPLU/25/316	SPLU/32/316

HOSPITAL SADDLE (12mm Stand Off)



SIZE	20mm	25mm	32mm
	SHOSP/20/304	SHOSP/25/304	SHOSP/32/304
	SHOSP/20/316	SHOSP/25/316	SHOSP/32/316

COUPLER



SIZE	20mm	25mm	32mm
	SCOUP/20/304	SCOUP/25/304	SCOUP/32/304
	SCOUP/20/316	SCOUP/25/316	SCOUP/32/316

DEEP SADDLE (25mm Stand Off)



SIZE	20mm	25mm	32mm
	SDEEP/20/304	SDEEP/25/304	SDEEP/32/304
	SDEEP/20/316	SDEEP/25/316	SDEEP/32/316

UNDERFLOOR POWERTRACK



Armorduct Zetrack has 4 systems to choose from and they are individually colour and key coded for safety. No separate couplers are required as each length of track has a coupler already as part of the assembly for easy connection to the next length or feed unit.

Feed units have been designed with more space inside for easy connection and termination of SWA cables. Armorduct Zetrack utilises attachable feet for easy, flexible fixing to a slab or surface and can be installed into floor voids as low as 60mm.

All Tap-Off's are designed to comply with the requirements of the Wiring Regulations BS7671:2008 including section 543 (Highly Integrity Earthing). Armorduct Zetrack System has been 3rd Party Tested & Certified to meet the requirements of the Powertrack Standard BS EN 61534-22.



Standard
2 Pole &

Clean Earth
Low Noise
3 Pole &

Dual Circuit
Std & Clean
Earth Low Noise
5 Pole &

3 Phase
4 Pole &

product range

Track Sections					
	1.2m x 300mm Pitch Lengths	AZPT12S	AZPT12C	AZPT12D	AZPT12P
	1.8m x 300mm Pitch Lengths	AZPT18S	AZPT18C	AZPT18D	AZPT18P
	2.4m x 300mm Pitch Lengths	AZPT24S	AZPT24C	AZPT24D	AZPT24P
	3.6m x 300mm Pitch Lengths	AZPT36S	AZPT36C	AZPT36D	AZPT36P

End Feed Units					
	Feed Unit	AZFUS	AZFUC	AZFUD	AZFU P
		 PE L2 N2	 PE CE N1 L1	 PE CE N1 L1 L2 N2	 PE N L1 L2 L3

Interlink Units					
	1.2m Interlink standard	AZIL12S	AZIL12C	AZIL12D	AZIL12P
	2.4m Interlink standard	AZIL24S	AZIL24C	AZIL24D	AZIL24P

Tap-Off Units					
		 PE L2 N2	 PE CE N1 L1	 PE CE N1 L1 L2 N2	 PE N L1 L2 L3
	3m Tap-Off Unit Unfused 32A	AZT3SUF	AZT3CUF	AZT3DUFL12 or AZT3SUF (Std) or AZT3CUF (CE)	AZT3PUFL1 AZT3PUFL2 AZT3PUFL3 AZT3PUFL123
	3m Tap-Off Unit Fused 13A	AZT3SF	AZT3CF	AZT3SF (Std) or AZT3CF (CE)	
	5m Tap-Off Unit Unfused 32A	AZT5SUF	AZT5CUF	AZT5DUFL12 or AZT5SUF (Std) or AZT5CUF (CE)	AZT5PUFL1 AZT5PUFL2 AZT5PUFL3 AZT5PUFL123
	5m Tap-Off Unit Fused 13A	AZT5SF	AZT5CF	AZT5SF (Std) or AZT5CF (CE)	

UNDERFLOOR POWERTRACK



ELECTRICAL CHARACTERISTICS

Rated Current	63Amps
Rated Voltage	230/400 Volts
Frequency	50/60 Hz
Conditional Short Circuit Rating (Protection device)	16KA
Volt Drops Line & Neutral	
Power Track	3.68mV/A/m
Track Connector	0.4 mV/A
Tap-Off	0.4 mV/A
Interlink	2.7 mV/A
Ground Fault Loop Impedance	
Line to Ground (Casing)	2.7 mΩ/m
Line to Ground (Conductor)	3.3 mΩ/m
Line to Ground (Conductor + Casing)	2.7 mΩ/m
Tap-Off	0.7 mΩ
16mm	3.1 mΩ/m
Interlink	2.0 mΩ
4mm	12 mΩ/m

MECHANICAL DATA

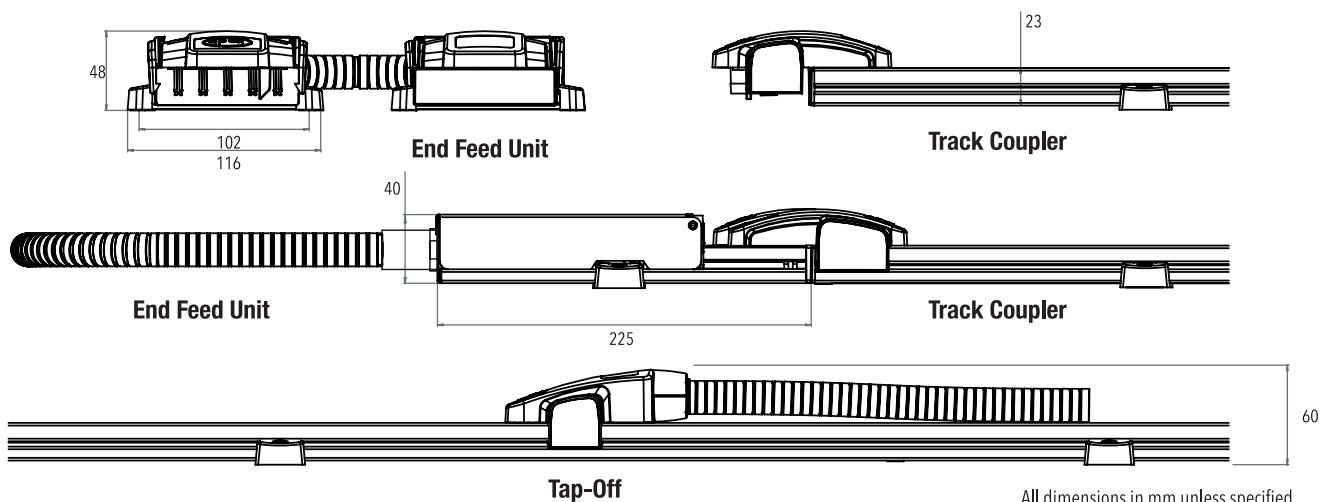
Number of Copper conductors	2, 3 or 5
Conduit Cross-sectional Area (Nominal)	19mm
Cable Termination Capacity	16mm
Tap-Off Cable 20 Amp	4 mm ²
Tap-Off Conduit Sizes O/D	16mm
Flexible Interlink Cable 63 Amp	16mm ²
Feed Conduit Entry	25mm
IP Rating	40
Minimum void depth (track + tap-off)	55mm

▲ Rapid deployment, easy installation and attractive pricing ensure that your project, however complex is delivered on time and on budget.

MATERIAL SPECIFICATION

Power Track Casing	Galvanised Steel
Conductors	Copper Alloy
Power Track Insulators	POM
Sockets/ Tap -Off Plugs/ Joint Moulding	Polycarbonate LS F
Shutter	POM
Tap-Off / Interlink Flexible Conduit	Galvanised Steel
Tap-Off / Coupler Blade	Brass
Feed Unit Case	Galvanised Steel
Feed / Flexible Interlink Housing	Galvanised Steel

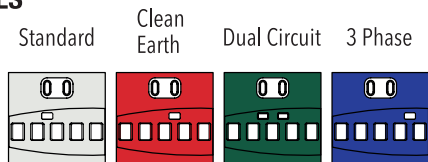
PRODUCT DIMENSIONS



PRODUCT FEATURES

4 System Rationales

Mechanical coding ensures against mis-mating



Installation Overview

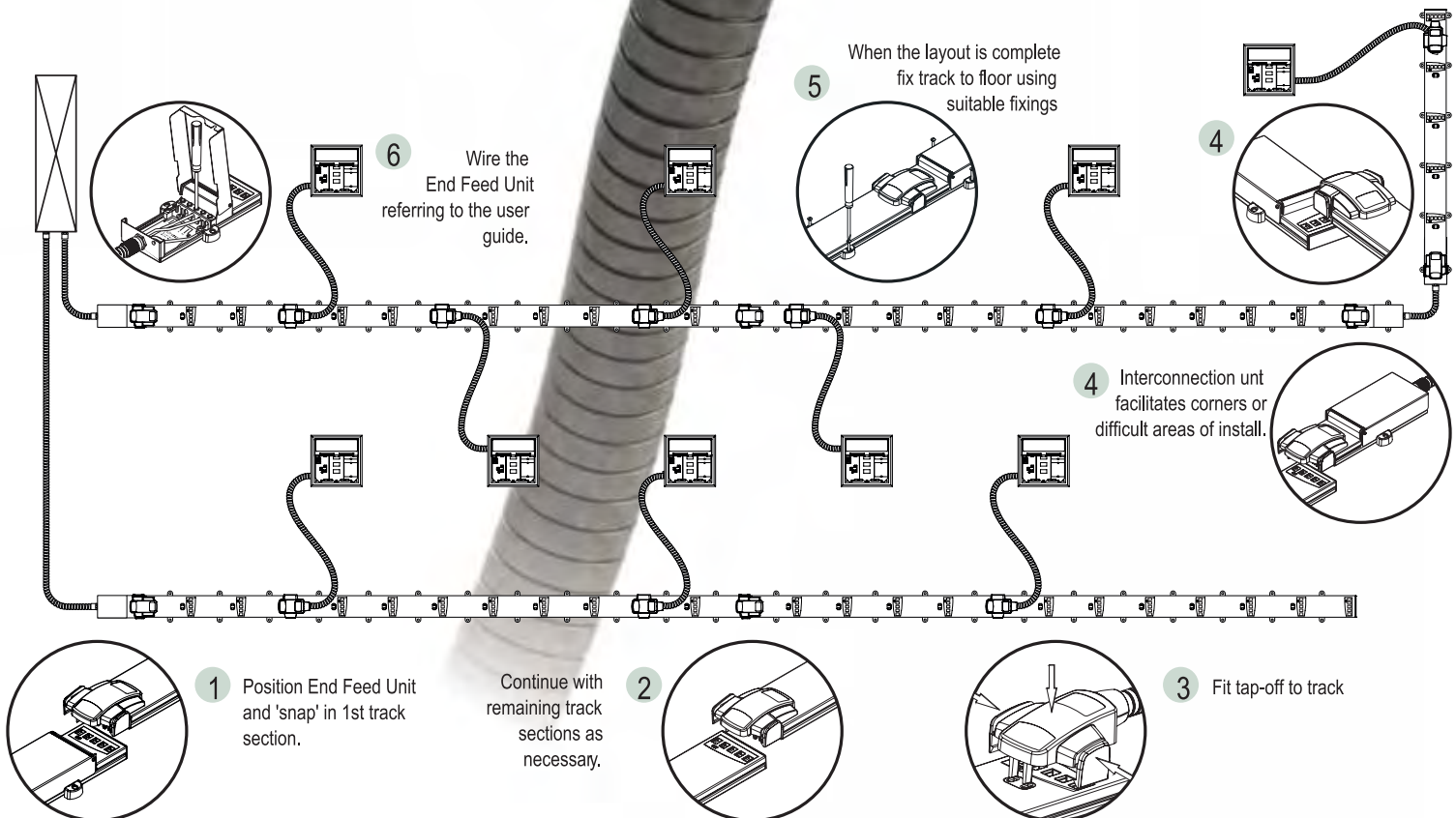
The **Standard** is designed for a standard protective earth arrangement giving live, neutral and earth.

The **Clean Earth/Low Noise** has a standard earthing arrangement using the casing to provide the protective earth and an additional third pole to provide a functional earth that is completely isolated from the standard casing earth.

The **Dual Circuit** Powertrack provides both a **Standard & Clean Earth / Low Noise** arrangement in one track configuration and allows you to choose a **Standard** or **Clean Earth** tap-off to configure the arrangement of your floor box. The range also includes a 6 wire dual circuit tap-off where both circuits are delivered to one floor box.

The **3 Phase** system allows you to choose which phase you would like to tap-off by selecting either L1, L2 or L3. This system also includes a 3 phase tap-off which allows the connection of a 3 phase device (eg 3 phase motor or FCU). We do not recommend supplying more than 1 phase to a single floor box.

Please refer to the latest *Powertrack Installation Instructions Guide* for details of how to install each individual component.



All Powertrack components should be installed to comply with BS7671 Electrical Wiring Regulations.

FLOOR BOXES

SCREED BOXES

The Armorduct range of screed floor boxes has been designed for the distribution of and access to power, voice and data services in screeded floor installations.



The Armorduct floor box range consists of:

- A choice of stainless steel, brass, powder coated and moulded trims.
- A choice of straight edge or carpet trims.
- A choice of one, two, three or four compartments.
- Boxes can be manufactured to accept various types of floor finish including - carpet, terrazzo, marble, slate, etc.
- A wide range of socket plates designed to carry power, voice and data sockets.
- Internal height adjustment 63-75mm
- Standard depth floor box is 63mm, but deeper boxes are available.

All three compartment boxes come complete with:

- 3 x 20mm conduit entry on two sides.
- One twin 13amp switched socket, side wired.
- One 4 outlet RJ45 plate.
- One blank plate.
- Depth adjustment 63-75mm.

	130 x 225mm	215 x 225mm	305 x 225mm	305 x 225mm
No. of Compartments	1	2	3	4
	N/A	AUSOM/2	AUSOM/3	AUSOM/4

STAINLESS



	130 x 225mm	215 x 225mm	305 x 225mm	305 x 225mm
No. of Compartments	1	2	3	4
Edge Trim	AUSOM/1/SE	AUSOM/2/SE	AUSOM/3/SE	AUSOM/4/SE
Carpet Trim	AUSOM/1/SC	AUSOM/2/SC	AUSOM/3/SC	AUSOM/4/SC

BRASS



	130 x 225mm	215 x 225mm	305 x 225mm	305 x 225mm
No. of Compartments	1	2	3	4
Edge Trim	AUSOM/1/BE	AUSOM/2/BE	AUSOM/3/BE	AUSOM/4/BE
Carpet Trim	AUSOM/1/BC	AUSOM/2/BC	AUSOM/3/BC	AUSOM/4/BC

POWDER COATED



	130 x 225mm	215 x 225mm	305 x 225mm	305 x 225mm
No. of Compartments	1	2	3	4
Edge Trim	AUSOM/1/PE	AUSOM/2/PE	AUSOM/3/PE	AUSOM/4/PE
Carpet Trim	AUSOM/1/PC	AUSOM/2/PC	AUSOM/3/PC	AUSOM/4/PC

CAVITY BOXES

The Armorduct range of cavity floor boxes have been designed for the distribution of and access to power, voice and data services in raised floor installations.



The Armorduct floor box range consists of:

- A choice of stainless steel, brass, powder coated and moulded trims.
- A choice of one, two, three or four compartments.
- Boxes can be manufactured to accept various types of floor finish including - carpet, terrazzo, marble, slate, etc.
- A wide range of socket plates designed to carry power, voice and data sockets.
- Standard depth floor box is 90mm, but shallower or deeper boxes are available.

All three compartment boxes come complete with:

- 3 x 20mm and 3 x 25mm conduit entry on two sides.
- One twin 13amp switched socket, back wired.
- One 4 outlet RJ45 plate.
- One blank plate.

	305 x 220mm	305 x 220mm
No. of Compartments	3	4
	ACFB/3/NS	ACFB/4/NS

STAINLESS



Cut out size	125 x 220mm	215 x 220mm	305 x 220mm	305 x 220mm
No. of Compartments	1	2	3	4
Carpet Trim	ACFB/1/SC	ACFB/2/SC	ACFB/3/SC	ACFB/4/SC

BRASS



Cut out size	125 x 220mm	215 x 220mm	305 x 220mm	305 x 220mm
No. of Compartments	1	2	3	4
Carpet Trim	ACFB/1/BC	ACFB/2/BC	ACFB/3/BC	ACFB/4/BC

POWDER COATED



Cut out size	125 x 220mm	215 x 220mm	305 x 220mm	305 x 220mm
No. of Compartments	1	2	3	4
Carpet Trim	ACFB/1/PC	ACFB/2/PC	ACFB/3/PC	ACFB/4/PC

FLOOR BOXES

SINGLE SOCKET PLATE



No. of Compartments	1	1
Part No.	CFB/S/PC	USOM/S/PC

The Armorduct single socket outlet module is manufactured from sheet steel and is finished epoxy powder coated. It can be used in screeded or cavity floors.

IP66 FLOOR BOX



Stainless Steel Lid	AKSEO/23/72
Plastic Base Box	AKGE170/23

Also available in alternative finishes.

POWER GROMMET













	127mm
Part Number	AGP127

SLAB BOX



No. of Compartments	1	2	3	4
Part Number	ASLAB/1	ASLAB/2	ASLAB/3	ASLAB/4

FLOOR BOX OUTLET PLATES

Description	Part No	Compartments	
Twin 13amp switched socket, side wired Dual Earth	AXP55/3	3	
Twin 13amp switched socket, side wired Dual Earth	AXP55/4	4	
Twin 13amp switched socket, back wired Dual Earth	AXPBE/3	3	
Twin 13amp switched socket, back wired Dual Earth	AXPBE/4	4	
Data plate RJ45 4-way 37x22mm	AXPRJ45/3	3	
Data plate RJ45 4-way 37x22mm	AXPRJ45/4	4	
Blank plate	AXPB/3	3	
Blank plate	AXPB/4	4	
Single socket plate 86x86mm	AXP603	3	
2 x Single socket plate 86x86mm	AXP603/2	3	
Twin socket plate	AXP2747	3	
Data plate RJ45 4-way parallel 37x22mm	AXPRJ45P/3	3	
Data plate RJ45 6-way parallel 37x22mm	AXPRJ45P6/3	3	
Data plate 2 x Euro Mod (Plate only) (Mounting frames available upon request)	AXPEM/3	3	
Wave data plate 4-way 37x22mm	AXPRJ45W/3	3	

FLUSH FLOOR OUTLET TRUNKING



The Armorduct Flush Floor Service Outlet System has been designed for the distribution of and access to power, voice and data services in screeded floors, particularly where flexibility in the positioning of service outlets is required.

The Flush Floor Service Outlet System consists of three main elements;

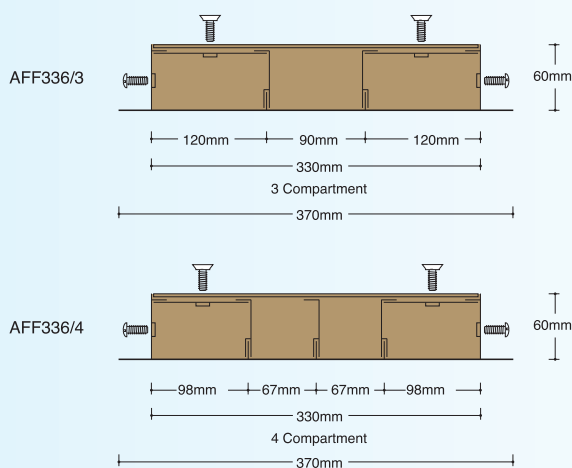
- A service compartment trunking together with a comprehensive range of accessories.
- A Flush Floor Outlet module which lies within the body of the trunking and can be located at any position along the length of the trunking run.
- A wide range of power, voice and data socket plates.

The Trunking and accessories are manufactured in self-coloured pre-galvanised steel.

The trunking is supplied in two metre lengths, with three or four compartments as standard.

Each trunking length has four separately fixed lids each 500mm long which when installed lie level with the surface of the surrounding screed. A comprehensive range of junctions, riser bends and sealing ends are available for use with the trunking.

FLUSH FLOOR OUTLET TRUNKING PROFILES



Specification

Self colour pre-galvanised steel sheet to:

BS EN10142:1991

Fe PO2G Z275NAC

BS EN10143:1993

Body and divider 1.2mm, Lid 2.5mm.

Other Sizes of Trunking

The standard size range only is shown. Although the width of the centre compartments must remain, as shown, the width of the outer compartments may be increased to allow for extra data capacity. The height may also be increased to suit specific applications.

A technical specification is available in PDF format on request.

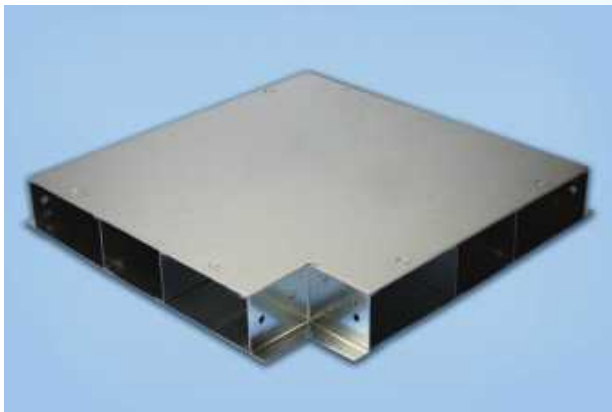
FLUSH FLOOR OUTLET TRUNKING

TRUNKING



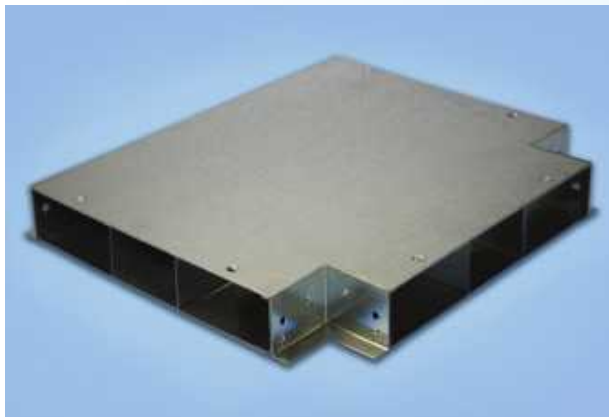
	No. of Compartments	
	3	4
PRODUCT CODE	AFF336/3	AFF336/4

HORIZONTAL BEND



	No. of Compartments	
	3	4
PRODUCT CODE	AFFB336/3	AFFB336/4

HORIZONTAL TEE (with flyover)



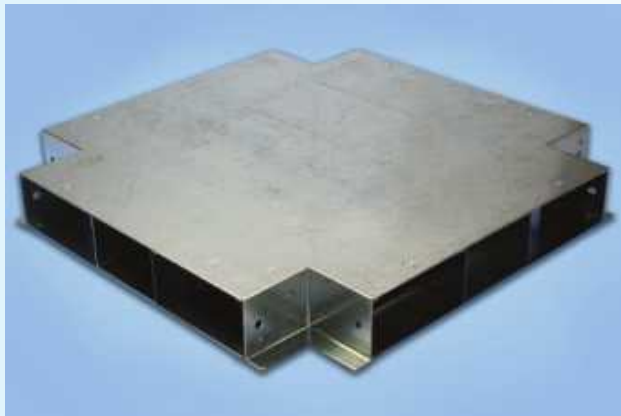
	No. of Compartments	
	3	4
PRODUCT CODE	AFFT336/3	AFFT336/4

ATTENTION INSTALLATION WARNING

The trunking must be laid and fixed directly onto a fully supporting sub-screed. Failure to follow this instruction may lead to movement of the trunking within the floor screed.

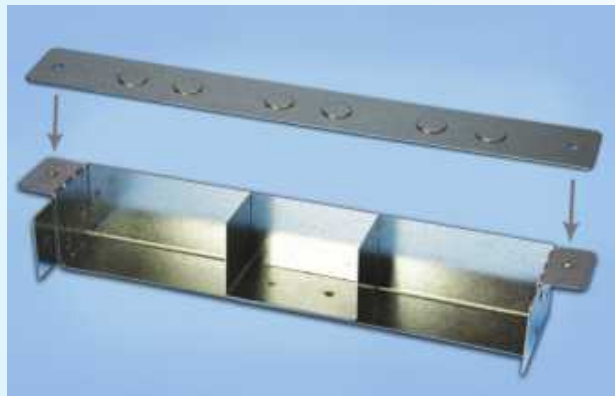
FLUSH FLOOR OUTLET TRUNKING

INTERSECTION (with flyover)



	No. of Compartments	
	3	4
PRODUCT CODE	AFFI336/3	AFFI336/4

RISER BEND



	No. of Compartments	
	3	4
PRODUCT CODE	AFFSR336/3	AFFSR336/4

Specify size of standard trunking when ordering.

END CAP

LID COUPLER

BODY COUPLER



END CAP	AFFEC336
LID COUPLER (PAIR)	AFFLC336
BODY COUPLER (PAIR)	AFFBC336

INSTALLATION

Floor Fixing

The trunking MUST be laid directly onto a fully supporting sub-screed. Failure to follow this instruction may lead to movement of the trunking within the floor screed. The trunking is fixed to the sub-screed through the holes provided in the side return.

Location and Fixing of the Service Outlet Module

1. Determine the desired position of the module along the trunking run.
2. Remove the appropriate lid panel.
3. Remove the 500mm dividers located immediately below the lid panel.
4. Insert the service module.

Selection of Accessories

The standard depth of this system is 60mm. This may impose restrictions on the selection of plugs and sockets so that the lid of the module can be securely closed in operation. With careful consideration and design most combinations of power, voice and data connections can be accommodated. You are strongly recommended to consult your Armorduct Sales Manager before specification of accessories.

The service outlet module is made up of two component parts.

- A section of trunking lid and the socket plate carrier.
- A carpet frame and lid.

Trunking Lid and Socket Plate Carrier

A 500mm length of trunking lid into which a rectangular hole is punched to accept the moulded carpet frame. Attached to this section of lid is a galvanised metal frame which carries the socket plates.

This length of lid is interchangeable with the standard lengths used on the trunking.

Carpet Frame and Lid

A carpet frame and hinged lid manufactured from ULTRAMID B3 - PA6 plastics that are Halogen free and conform to fire classification UL94 V2 (3.2mm). The lid which is reinforced by a 2.5mm steel plate has a carpet recess of 6mm and carries three individually hinged cable outlets and a moulded handle.

Specifications

Trunking lid and socket carrier manufactured from 2.5mm and 1.2mm respectively, self-coloured pre-galvanised steel sheet to.

BS EN10142:1991.

Fe PO2G Z275NAC.

BS EN10143:1993.



PRODUCT CODE	No. of Compartments	
	3	4
	AFFOM/3	AFFOM/4

Ordering Information

The three compartment module is supplied with the following as standard:

- One twin 13amp switched socket and plate No. AXP55/3
- One standard 4-way RJ45 plate No. AXPRJ45/3
- One blank plate No. AXPB/3

The four compartment model is supplied with one socket plate, two blanks and a choice of data plate.

NON STANDARD SERVICE OUTLET MODULES

Non-standard service outlet modules are available to order. Variations are available as follows:

Compartments	2 and 4 compartment.
Finish	Carpet frames can be manufactured in brass, stainless steel, or finished in chrome plate or in a wide range of powder coated colours.
Application	Modules can be manufactured to fit floors covered by carpet, vinyl, terrazzo, and other forms of ceramic floor tile.

If you have a non-standard requirement please contact the Armorduct sales office.

UNDERSCREED TRUNKING

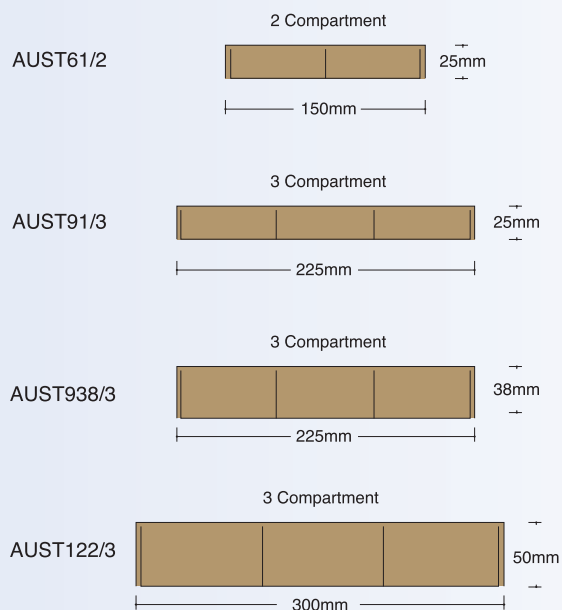


The Armorduct Underscreed trunking system has been designed for cable distribution in floors where the trunking is buried in the screed and the service outlet positions are fixed.

The Underscreed Service Outlet trunking system is made up of four parts:

- Totally enclosed trunking in a range of sizes and compartments with associated flat and riser bends.
- A junction/intersection box which can be used as a bend, tee and intersection as well as giving surface access to the buried system.
- A 3/4 compartment Service Outlet Module.
- A comprehensive range of socket plates for voice, data and power.

UNDERSCREED TRUNKING PROFILES



Specification

Self colour pre-galvanised steel sheet to:
BS EN10142:1991
Fe PO2G Z275NAC
BS EN10143:1993

The trunking is manufactured from 1.1mm self-coloured pre-galvanised steel in standard lengths of 2 metres, complete with two saddle clamps per length.

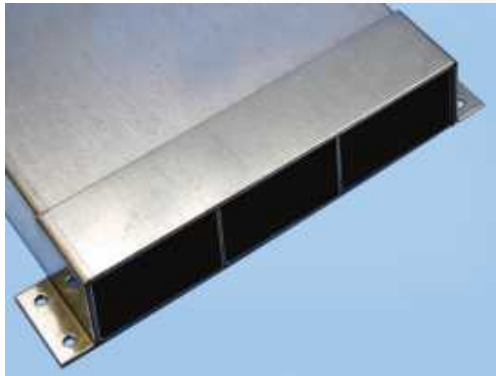
A technical specification is available in PDF format on request.

Other Sizes of Trunking

The standard size range only is shown in the catalogue. However, underscreed trunking can be manufactured in a wide range of sizes to suit specific applications.

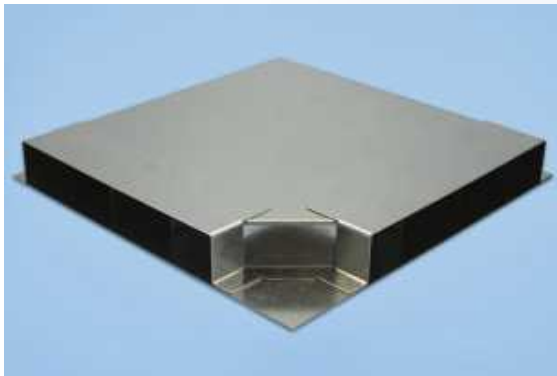
UNDERSCREED TRUNKING

TRUNKING



Size (mm)	No. of Compartments	
	2	3
150 x 25	AUST61/2	AUST61/3
225 x 25	AUST91/2	AUST91/3
225 x 38	AUST938/2	AUST938/3
300 x 50	AUST122/2	AUST122/3

HORIZONTAL BEND



Size (mm)	No. of Compartments	
	2	3
150 x 25	AUSFB61/2	AUSFB61/3
225 x 25	AUSFB91/2	AUSFB91/3
225 x 38	AUSFB938/2	AUSFB938/3
300 x 50	AUSFB122/2	AUSFB122/3

RISER BEND



Size (mm)	No. of Compartments	
	2	3
150 x 25	AUSR61/2	AUSR61/3
225 x 25	AUSR91/2	AUSR91/3
225 X 38	AUSR938/2	AUSR938/3
300 X 50	AUSR122/2	AUSR122/3

Note:

The depth of the floor screed & size of standard trunking MUST be specified

END CAP



END CAP	
Size (mm)	2
150 x 25	AUSEC61
225 x 25	AUSEC91
225 X 38	AUSEC938
300 X 50	AUSEC122

SADDLE CLAMP



SADDLE CLAMP	
Size (mm)	
150 x 25	AUSSC61
225 x 25	AUSSC91
225 X 38	AUSSC938
300 X 50	AUSSC122

UNDERSCREED TRUNKING

JUNCTION/INSPECTION BOX

Description

The Junction Box connects the under-screed trunking to the surface of the screed. It cannot house sockets because of the internal flyover, and is primarily used as an access point for cabling particularly where the trunking run changes direction. The junction box consists of an outer box, an adjustable sliding tray, an internal flyover, painted grey and heavy duty lid.

In its standard form, the depth of the box can be adjusted from 63mm to 75mm.

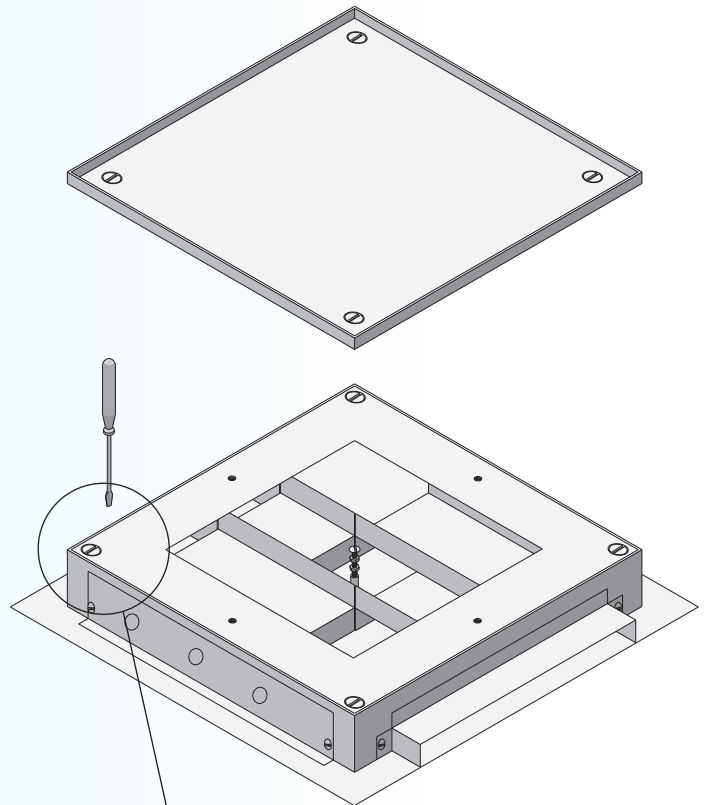
In its standard form the junction box is supplied for trunking entry. Side plates are also available for conduit entry or blanking off.

Specification

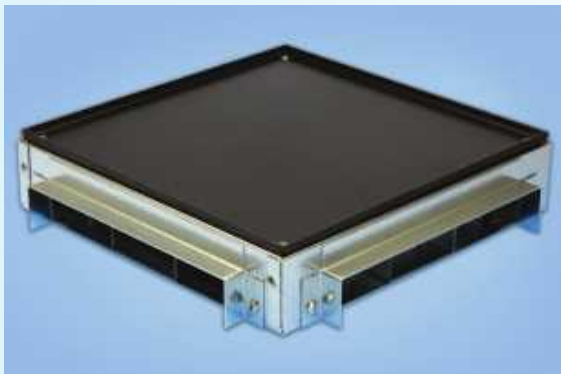
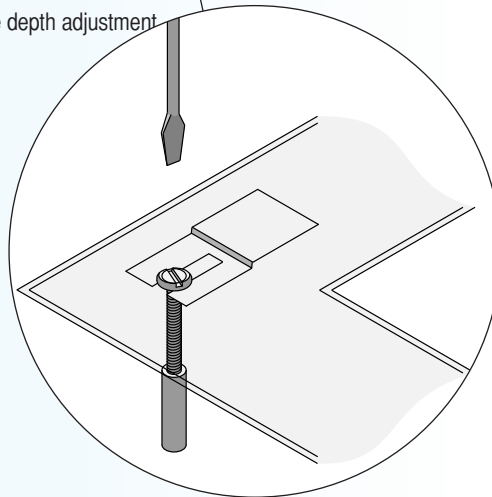
Self colour pre-galvanised steel sheet to:
 BS EN10142:1991 Fe PO2G Z275NAC
 BS EN10143:1993 Body and divider 1.2mm, Lid 2.5mm.

Ordering Information

SIZE (mm)	150 X 25	225 X 25	225 X 38	300 X 50
Compartments	2	3	3	3
TERMINAL	AUSJE61/2	AUSJE91/3	AUSJE938/3	AUSJE122/3
THROUGH	AUSJT61/2	AUSJT91/3	AUSJT938/3	AUSJT122/3
TWOWAY	AUSJ261/2	AUSJ291/3	AUSJ2938/3	AUSJ2122/3
THREEWAY	AUSJ361/2	AUSJ391/3	AUSJ3938/3	AUSJ3122/3
FOURWAY	AUSJ461/2	AUSJ491/3	AUSJ4938/3	AUSJ4122/3



Simple depth adjustment



BLANK SIDE PLATE

CONDUIT SIDE ENTRY PLATE

TRUNKING SIDE ENTRY PLATE



WIDTH (mm)	150 x 25	225 x 25	225 x 38	300 x 50
BLANK PLATE	AUSJB61	AUSJB91	AUSJB938	AUSJB122
CONDUIT ENTRY PLATE	AUSJC61	AUSJC91	AUSJC938	AUSJC122
TRUNKING ENTRY PLATE	AUSJF61	AUSJF91	AUSJF938	AUSJF122

The underscreed service outlet module consists of three elements:

- An outer box with a sliding tray which also carries the socket plates.
- A carpet frame.
- A lid with integral handle and cable outer flaps.

The Outer Box

The outer box forms a metal sleeve which links the trunking to the surface of the floor screed. It is used to carry the inner tray and socket plates. In its standard form, the minimum depth of the box is 63mm, but this can be adjusted to a maximum of 75mm using captive adjusting screws. The outer box may be of the through or end type and can readily be converted to accept trunking or conduit by a selection of side plates, which are simply fixed by screws.

Carpet Frame and Lid

The carpet frame and hinged lid are manufactured from ULTRAMID B3 - PA6 plastics that are Halogen free and conform to fire classification UL94 V2 (3.2mm).

The lid, which is reinforced by a 2.5mm steel plate has a carpet recess of 6mm and carries three individually hinged cable outlets and a moulded handle.

Specifications

Base Box - 1.2mm Pre-Galvanised steel sheet to:

BS EN10142:1991. Fe PO2G Z275NAC. BS EN10143:1993.

Carpet Trim and Lid – ULTRAMID B3 - PA6 plastics.

Dimensions

The overall dimensions of the outer box are:

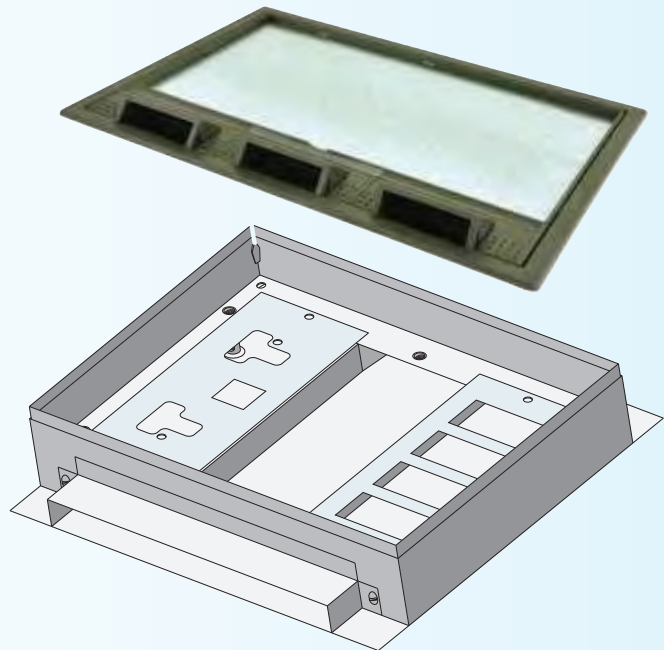
Width 225mm. Length 305mm. Depth adjustable 63mm to 75mm.

Ordering Information

The three compartment module is supplied with the following plates as standard:

- One twin 13amp switched socket and plate No. AXPBE/3
- One standard 4-way RJ45 plate No. AXPRJ45/3
- One blank plate No. AXPB/3

The 2 compartment module is supplied as the 3 compartment with one compartment blanked off.



SIZE (mm)	150 X 25	225 X 25	225 X 38	300 X 50
Compartments	2	3	3	3
THROUGH TYPE	AUSOMT61/2	AUSOMT91/3	AUSOMT938/3	AUSOMT122/3
END TYPE	AUSOME61/2	AUSOME91/3	AUSOME938/3	AUSOME122/3

INSTALLATION

Screed Cover

It is recommended that the trunking should be covered by a minimum of 25mm of screed, to avoid the risk of subsequent cracking. Given that the minimum depth of the trunking is normally 25mm, it is recommended that Armorduct Underscreed Trunking should not be used in applications where the floor screed depth is less than 50mm.

Screed Depth and Service Outlet Modules

The minimum recommended depth of screed to accommodate a service outlet module is 63mm.

FLUSH FLOOR & CHEQUER PLATE TRUNKING



Earth links not supplied

Other Sizes of Trunking

The standard size range only is shown in the catalogue. However, flush floor trunking can be manufactured in a wide range of sizes to suit specific applications.

The Armorduct Flush Floor and Chequer Plate Trunking Systems have been designed for the distribution of power, voice, and data cable, and heating and water piping in concrete floors.

The system consists of a range of flush floor trunking and accessories with a choice of plain flush, plain recessed and steel chequer plate lid.

The chequer plate version is particularly suitable for use in industrial environments, and for extra strength and where the width exceeds 150mm, the lid is supported at intervals along its length by a central column.

Recessed lid versions are designed to accommodate tiling with a depth of 3mm, but other recessed lid depths can be made to order.

Multi-compartment versions are also available. To order, suffix the trunking or accessory code with the number of compartments required, e.g. AFF92/3.

Specification

Body

1.25mm pre-galvanised steel to:

BS EN10142:1992

Fe PO2G Z275NAC

BS EN10143:1993

Lid

Plain and plain recessed, 2.5mm pre-galvanised steel to:

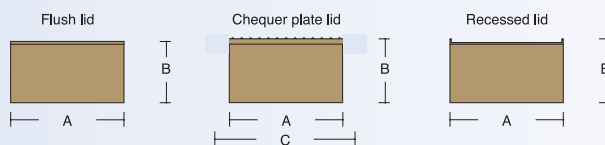
BS EN10142:1992

Fe PO2G Z275NAC

BS EN10143:1993

Chequer plate, 6mm painted black.

FLUSH FLOOR & CHEQUER PLATE PROFILES



As Standard, Armorduct Flush Floor and Recessed Lid Trunking is provided with straight sides, as shown.

Chequer plate trunking is supplied with an straight sides, see diagram for details and sizes.

DIMENSIONS	A (mm)	B (mm)
Flush	Width	Depth
Recessed	Width	Depth

TRUNKING



SIZE (mm)	COMP	FLUSH	RECESSED	CHEQUER
100 x 50	1	AFFL42	AFRL42	AFCP42
100 x 50	2	AFFL42/2	AFRL42/2	AFCP42/2
100 x 50	3	AFFL42/3	AFRL42/3	AFCP42/3
150 x 50	1	AFFL62	AFRL62	AFCP62
150 x 50	2	AFFL62/2	AFRL62/2	AFCP62/2
150 x 50	3	AFFL62/3	AFRL62/3	AFCP62/3
225 x 50	1	AFFL92	AFRL92	AFCP92
225 x 50	2	AFFL92/2	AFRL92/2	AFCP92/2
225 x 50	3	AFFL92/3	AFRL92/3	AFCP92/3

FLUSH FLOOR & CHEQUER PLATE TRUNKING

BEND



SIZE (mm)	COMP	FLUSH	RECESSED	CHEQUER
100 x 50	1	AFFLB42	AFRLB42	AFCPB42
100 x 50	2	AFFLB42/2	AFRLB42/2	AFCPB42/2
100 x 50	3	AFFLB42/3	AFRLB42/3	AFCPB42/3
150 x 50	1	AFFLB62	AFRLB62	AFCPB62
150 x 50	2	AFFLB62/2	AFRLB62/2	AFCPB62/2
150 x 50	3	AFFLB62/3	AFRLB62/3	AFCPB62/3
225 x 50	1	AFFLB92	AFRLB92	AFCPB92
225 x 50	2	AFFLB92/2	AFRLB92/2	AFCPB92/2
225 x 50	3	AFFLB92/3	AFRLB92/3	AFCPB92/3

TEE



SIZE (mm)	COMP	FLUSH	RECESSED	CHEQUER
100 x 50	1	AFFLT42	AFRLT42	AFCPT42
100 x 50	2	AFFLT42/2	AFRLT42/2	AFCPT42/2
100 x 50	3	AFFLT42/3	AFRLT42/3	AFCPT42/3
150 x 50	1	AFFLT62	AFRLT62	AFCPT62
150 x 50	2	AFFLT62/2	AFRLT62/2	AFCPT62/2
150 x 50	3	AFFLT62/3	AFRLT62/3	AFCPT62/3
225 x 50	1	AFFLT92	AFRLT92	AFCPT92
225 x 50	2	AFFLT92/2	AFRLT92/2	AFCPT92/2
225 x 50	3	AFFLT92/3	AFRLT92/3	AFCPT92/3

INTERSECTION



SIZE (mm)	COMP	FLUSH	RECESSED	CHEQUER
100 x 50	1	AFFLI42	AFRLI42	AFCPI42
100 x 50	2	AFFLI42/2	AFRLI42/2	AFCPI42/2
100 x 50	3	AFFLI42/3	AFRLI42/3	AFCPI42/3
150 x 50	1	AFFLI62	AFRLI62	AFCPI62
150 x 50	2	AFFLI62/2	AFRLI62/2	AFCPI62/2
150 x 50	3	AFFLI62/3	AFRLI62/3	AFCPI62/3
225 x 50	1	AFFLI92	AFRLI92	AFCPI92
225 x 50	2	AFFLI92/2	AFRLI92/2	AFCPI92/2
225 x 50	3	AFFLI92/3	AFRLI92/3	AFCPI92/3

RISER BEND

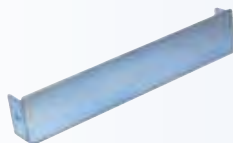


SIZE (mm)	COMP	FLUSH	RECESSED	CHEQUER
100 x 50	1	AFFLR42	AFRLR42	AFCPR42
100 x 50	2	AFFLR42/2	AFRLR42/2	AFCPR42/2
100 x 50	3	AFFLR42/3	AFRLR42/3	AFCPR42/3
150 x 50	1	AFFLR62	AFRLR62	AFCPR62
150 x 50	2	AFFLR62/2	AFRLR62/2	AFCPR62/2
150 x 50	3	AFFLR62/3	AFRLR62/3	AFCPR62/3
225 x 50	1	AFFLR92	AFRLR92	AFCPR92
225 x 50	2	AFFLR92/2	AFRLR92/2	AFCPR92/2
225 x 50	3	AFFLR92/3	AFRLR92/3	AFCPR92/3

CONNECTORS



END CAP



SIZE (mm)	CONNECTOR	END CAP
100 x 50	AFFC42	AFEC42
150 x 50	AFFC62	AFEC62
225 x 50	AFFC92	AFEC92

SKIRTING TRUNKING



Application

Surface distribution of and access to voice, data and power cabling in the same trunking body at skirting level.

The installation of skirting trunking does not require any modification of the building structure and it can be readily adapted on site to fit any shape of room. It is therefore very suitable for cable installation in refurbishment projects.

Description

A comprehensive range of multi compartment steel trunking with a chamfered or square profile which is manufactured for installation at skirting height. It has been designed for strength, ease of installation and a final appearance that will enhance any commercial environment.

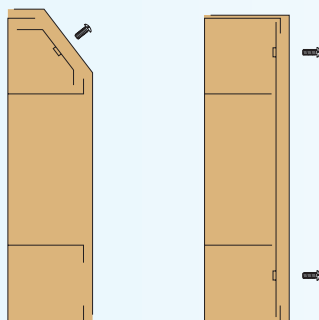
The lid which totally encloses the body is available in a number of different finishes. Where on-site coating is specified, the lid may be supplied in self-colour zintec - a surface that will readily accept any proprietary gloss paint.

For a high quality coloured finish, the lid may be supplied powder coated in a wide choice of colours. Powder coating offers an attractive finish which is also highly resistant to damage during installation and in subsequent use.

The lid may also be manufactured in stainless steel with a polished or satin finish.

Accessories

In addition to the normal range of accessories, there are also accessories which link Armorduct Skirting to the Armorduct Dado, Flush Floor and Underscreed systems.



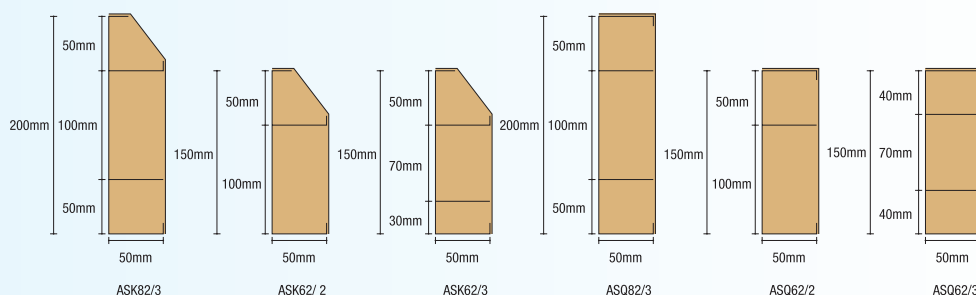
Detail of bridge fixing for chamfered and square sections

A technical specification is available in PDF format on request.

Other Styles

Armorduct has the capacity and skills necessary to manufacture a wide range of different skirting sections and compartment configurations to meet specific customer requirements.

SKIRTING TRUNKING PROFILES



STANDARD SPECIFICATION

Material	Body: Hot dipped galvanised sheet steel to BS EN10142:1991; Fe PO2G Z275NAC; BS EN10143:1993 20 gauge (1.00mm).
	Lid: Electro coated steel: BS EN 10152:1994; DC01 ZE25/25AC; BS EN 10130:1991 18 gauge (1.2mm).
Finish	Body: Self colour galvanised sheet steel to FePO2G. Z275NAC. Complies with BS4678 Part 1 1978 - Class 3 Heavy Protection against Corrosion.
	Lid: Epoxy powder coat in white RAL 9003.

ALTERNATIVE SPECIFICATIONS

Length	The body and lid can be manufactured in lengths up to 2 metres.
Finish	Lids may be epoxy powder coated in a wide range of colours.
Material	Lids can be manufactured in 1.2mm stainless steel to BS1449: Part 2:1983 Type 304, with mill finish 2A, bright, annealed or mill finish 2B, satin grained 180 to 220 grit size.

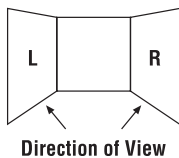
ORDERING INFORMATION

The information listed is for the standard range of chamfered and square skirting sections. The trunking body is supplied in 2 metre lengths as standard complete with body coupler and fixing screws.

Accessory bodies are supplied with integral couplers and all necessary fixing screws.

Accessory Lids are supplied with two fixing bridges and all necessary 3.5mm screws.


Earth links are not included and should be ordered separately.



Handed Accessories

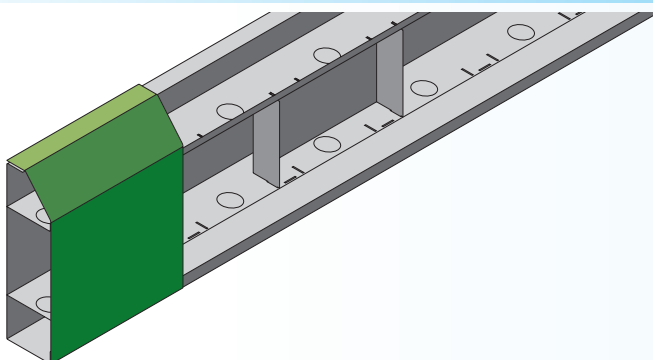
Some accessories are handed and it is very important to indicate the hand required when ordering. The convention used by Armorduct is illustrated on the left and can be described as follows:

“When looking at the wall on which the accessory is to be mounted, is the position to the left or right hand of the trunking run”

As a reminder the symbol  is shown against all handed accessories.

For illustration purposes only the chamfered section is shown.

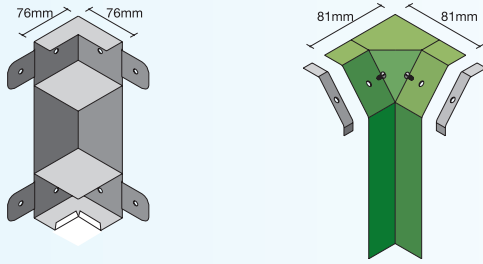
SKIRTING TRUNKING



	150 x 50mm	150 x 50mm	200 x 50mm
No. of Compartments	2	3	3
Chamfered	ASK62/2	ASK62/3	ASK82/3
Square	ASQ62/2	ASQ62/3	ASQ82/3

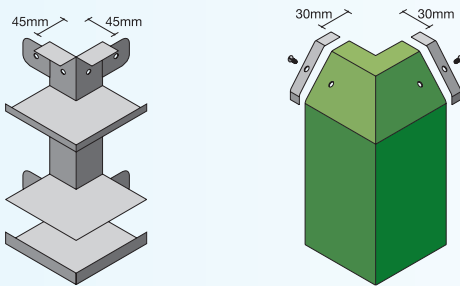
SKIRTING TRUNKING

INTERNAL BEND



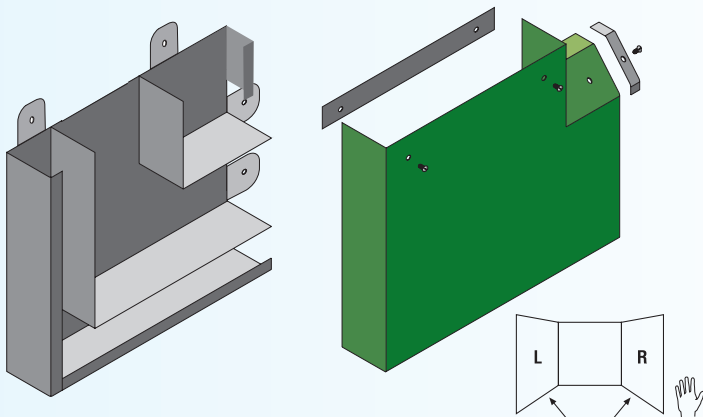
	150 x 50mm	150 x 50mm	200 x 50mm
No. of Compartments	2	3	3
Chamfered	ASKBI62/2	ASKBI62/3	ASKBI82/3
	150 x 50mm	150 x 50mm	200 x 50mm
No. of Compartments	2	3	3
Square	ASQBI62/2	ASQBI62/3	ASQBI82/3

EXTERNAL BEND



	150 x 50mm	150 x 50mm	200 x 50mm
No. of Compartments	2	3	3
Chamfered	ASKBE62/2	ASKBE62/3	ASKBE82/3
	150 x 50mm	150 x 50mm	200 x 50mm
No. of Compartments	2	3	3
Square	ASQBE62/2	ASQBE62/3	ASQBE82/3

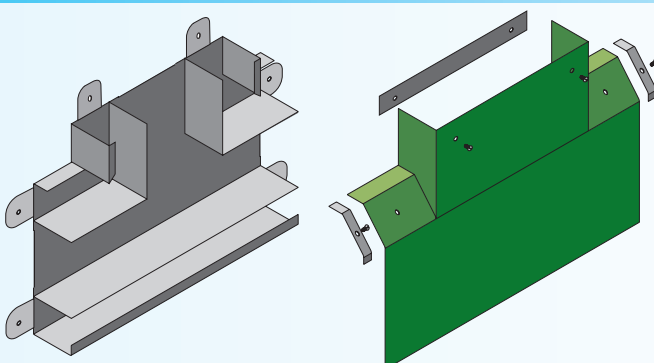
FLAT BEND - Left and Right-handed



	150 x 50mm	150 x 50mm	200 x 50mm
No. of Compartments	2	3	3
Chamfered	ASKFB62/2	ASKFB62/3	ASKFB82/3
	150 x 50mm	150 x 50mm	200 x 50mm
No. of Compartments	2	3	3
Square	ASQFB62/2	ASQFB62/3	ASQFB82/3

For Left or Right Hand add suffix /LH or /RH

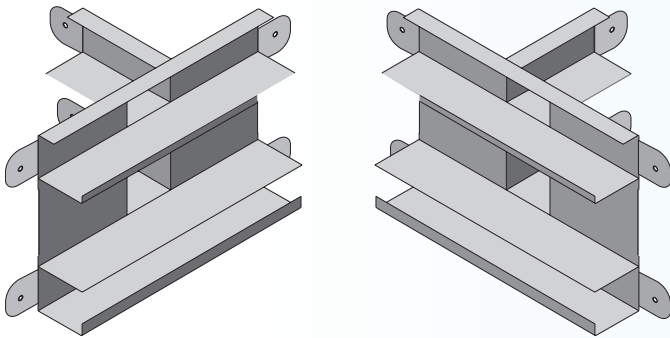
FLAT TEE



	150 x 50mm	150 x 50mm	200 x 50mm
No. of Compartments	2	3	3
Chamfered	ASKFT62/2	ASKFT62/3	ASKFT82/3
	150 x 50mm	150 x 50mm	200 x 50mm
No. of Compartments	2	3	3
Square	ASQFT62/2	ASQFT62/3	ASQFT82/3

SKIRTING TRUNKING

BACK ENTRY TEE - Left and Right Handed

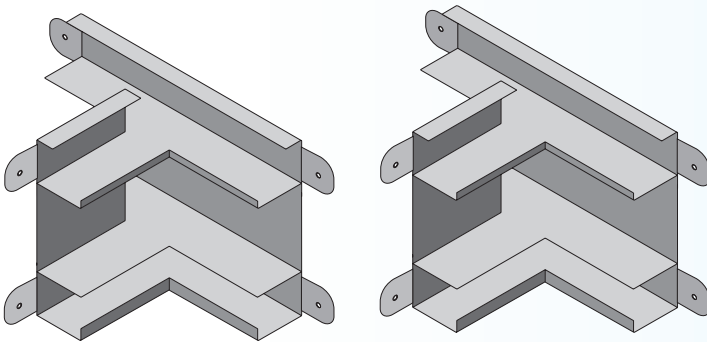


	150 x 50mm	150 x 50mm	200 x 50mm
No. of Compartments	2	3	3
Chamfered	ASKBT62/2	ASKBT62/3	ASKBT82/3
	150 x 50mm	150 x 50mm	200 x 50mm
No. of Compartments	2	3	3
Square	ASQBT62/2	ASQBT62/3	ASQBT82/3



For Left or Right Hand add suffix /LH or /RH

CORNER TEE - Left and Right handed

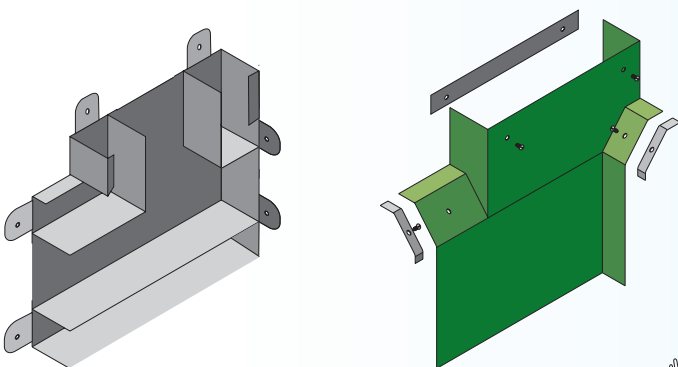


	150 x 50mm	150 x 50mm	200 x 50mm
No. of Compartments	2	3	3
Chamfered	ASKCT62/2	ASKCT62/3	ASKCT82/3
	150 x 50mm	150 x 50mm	200 x 50mm
No. of Compartments	2	3	3
Square	ASQCT62/2	ASQCT62/3	ASQCT82/3



For Left or Right Hand add suffix /LH or /RH

RISING CORNER TEE



	150 x 50mm	150 x 50mm	200 x 50mm
No. of Compartments	2	3	3
Chamfered	ASKRCT62/2	ASKRCT62/3	ASKRCT82/3
	150 x 50mm	150 x 50mm	200 x 50mm
No. of Compartments	2	3	3
Square	ASQRCT62/2	ASQRCT62/3	ASQRCT82/3



For Left or Right Hand add suffix /LH or /RH

END CAP - Left and Right handed



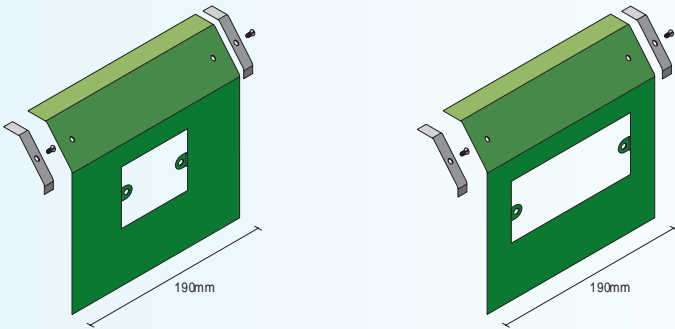
	150 x 50mm	150 x 50mm	200 x 50mm
No. of Compartments	2	3	3
Chamfered	ASKEC62/2	ASKEC62/3	ASKEC82/3
	150 x 50mm	150 x 50mm	200 x 50mm
No. of Compartments	2	3	3
Square	ASQEC62/2	ASQEC62/3	ASQEC82/3



For Left or Right Hand add suffix /LH or /RH

SKIRTING TRUNKING

SURFACE MOUNTED SOCKET PLATE



SINGLE PLATE	150 x 50mm	150 x 50mm	200 x 50mm
No. of Compartments	2	3	3
Chamfered	ASKSP62/2	ASKSP62/3	ASKSP82/3
Square	ASQSP62/2	ASQSP62/3	ASQSP82/3

TWIN PLATE	150 x 50mm	150 x 50mm	200 x 50mm
No. of Compartments	2	3	3
Chamfered	ASKTP62/2	ASKTP62/3	ASKTP82/3
Square	ASQTP62/2	ASQTP62/3	ASQTP82/3

SEGREGATED BACK BOX

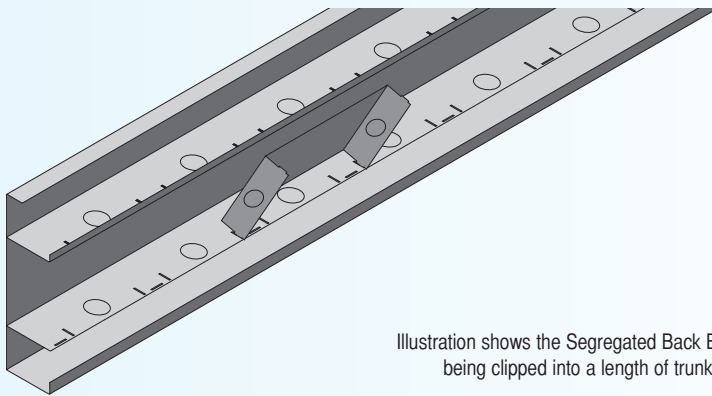


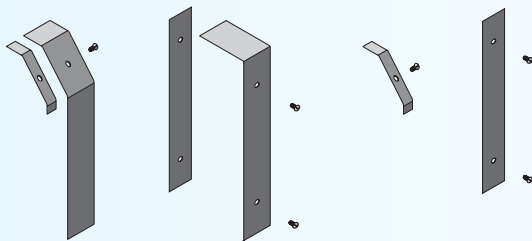
Illustration shows the Segregated Back Box being clipped into a length of trunking

	150 x 50mm	150 x 50mm	200 x 50mm
No. of Compartments	2	3	3
Chamfered	ASKSEG62/2	ASKSEG62/3	ASKSEG82/3

	150 x 50mm	150 x 50mm	200 x 50mm
No. of Compartments	2	3	3
Square	ASQSEG62/2	ASQSEG62/3	ASQSEG82/3

LID FIXING STRAP AND BRIDGE

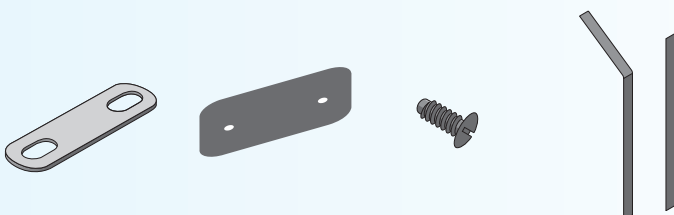
BRIDGE AND SCREW ONLY



Lid Fixing Strap & Bridge	150 x 50mm	150 x 50mm	200 x 50mm
No. of Compartments	2	3	3
Chamfered	ASKLF62/2	ASKLF62/3	ASKLF82/3
Square	ASQLF62/2	ASQLF62/3	ASQLF82/3

Fixing Bridge & Screw	150 x 50mm	150 x 50mm	200 x 50mm
No. of Compartments	2	3	3
Chamfered	ASKFB62	ASKFB62	ASKFB82
Square	ASQFB62	ASQFB62	ASQFB82

EARTH LINK BODY COUPLER M3.5 SCREW CABLE RETAINER



	Earth Link	Body Coupler	3.5mm Screw
Order Code	AEL	ASKSC	M3.5

Cable Retainer	150 x 50mm	150 x 50mm	200 x 50mm
No. of Compartments	2	3	3
Chamfered	ASKCR62	ASKCR62	ASKCR82
Square	ASQCR62	ASQCR62	ASQCR82

NB: Not to Scale

DESCRIPTION



Application

Surface distribution of and access to voice, data and power cabling in the same trunking body at dado level.

The installation of dado trunking does not require any modification of a building's structure and it can be readily adapted on site to fit any shape of room. It is therefore very suitable for cable installation in refurbishment projects.

Description

A comprehensive range of multi compartment steel trunking with a chamfered or square profile which is manufactured for installation at dado height. It has been designed for strength, ease of installation and a final appearance that will enhance any commercial environment.

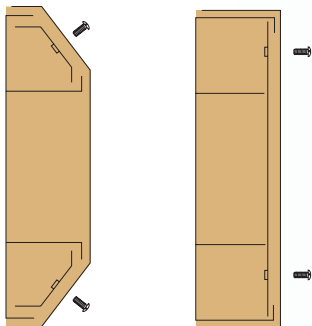
The lid which totally encloses the body is available in a number of different finishes. Where on-site coating is specified, the lid may be supplied in self-colour zintec - a surface that will readily accept any proprietary gloss paint.

For a high quality coloured finish, the lid may be supplied powder coated in a wide choice of colours. Powder coating offers an attractive finish which is also highly resistant to damage during installation and in subsequent use.

The Lid may also be manufactured in stainless steel with a polished or satin finish.

Accessories

In addition to the normal range of accessories, there are also accessories which link Armorduct Dado to the Armorduct Skirting systems.

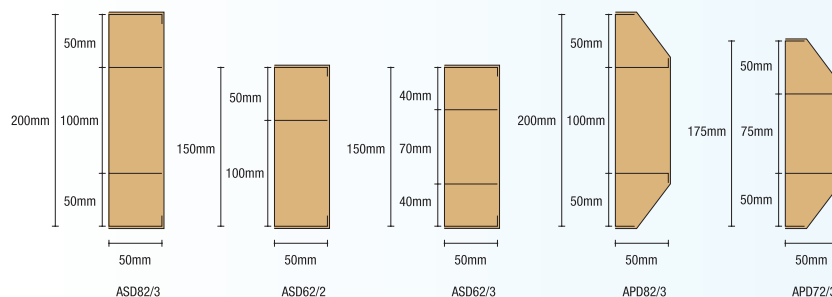


Detail of bridge fixing for chamfered and square sections

Other Styles

Armorduct has the capacity and skills necessary to manufacture a wide range of different dado sections and compartment configurations to meet specific customer requirements.

DADO TRUNKING PROFILES



DADO TRUNKING

STANDARD SPECIFICATION

Material	Body:	Hot dipped galvanised sheet steel to BS EN10142:1991; Fe PO2G Z275NAC; BS EN10143:1993 20 gauge (1.00mm).
	Lid:	Electro coated steel: BS EN 10152:1994; DC01 ZE25/25AC; BS EN 10130:1991 18 gauge (1.2mm).
Finish	Body:	Self colour galvanised sheet steel to FePO2G. Z275NAC. Complies with BS4678 Part 1 1978 - Class 3 Heavy Protection against Corrosion.
	Lid:	Epoxy powder coat in white RAL 9003.

ALTERNATIVE SPECIFICATIONS

Length	The body and lid is manufactured in lengths of 2 metres.
Finish	Lids may be epoxy powder coated in a wide range of colours.
Material	Lids can be manufactured in 1.2mm stainless steel to BS1449: Part 2:1983 Type 304, with mill finish 2A, bright, annealed or mill finish 2B, satin grained 180 to 220 grit size.

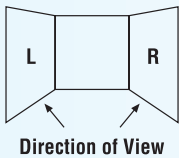
ORDERING INFORMATION

The information listed is for the standard range of chamfered and square dado sections. The trunking body is supplied in 2 metre lengths as standard complete with body coupler and fixing screws.

Accessory bodies are supplied with integral couplers and all necessary fixing screws.

Accessory Lids are supplied with two fixing bridges and all necessary 3.5mm screws.


Earth links are not included and should be ordered separately.



Handed Accessories

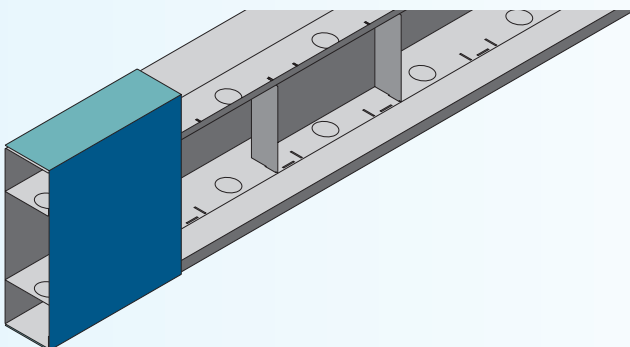
Some accessories are handed and it is very important to indicate the hand required when ordering. The convention used by Armorduct is illustrated on the left and can be described as follows:

“When looking at the wall on which the accessory is to be mounted, is the position to the left or right hand of the trunking run”

As a reminder the symbol  is shown against all handed accessories.

For illustration purposes only the square section is shown.

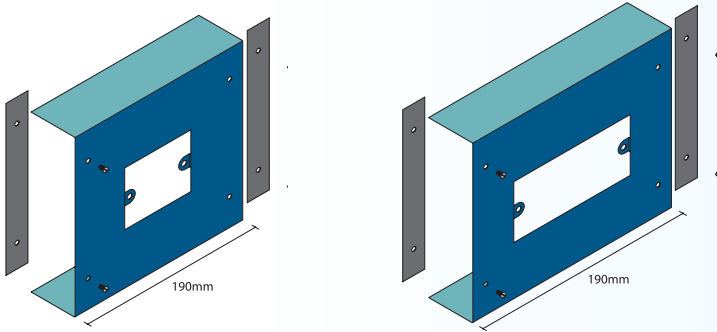
DADO TRUNKING PROFILES



	150 x 50mm	150 x 50mm	200 x 50mm
No. of Compartments	2	3	3
Square	ASD62/2	ASD62/3	ASD82/3

	150 x 50mm	175 x 50mm	200 x 50mm
No. of Compartments	2	3	3
Chamfered	N/A	APD72/3	APD82/3

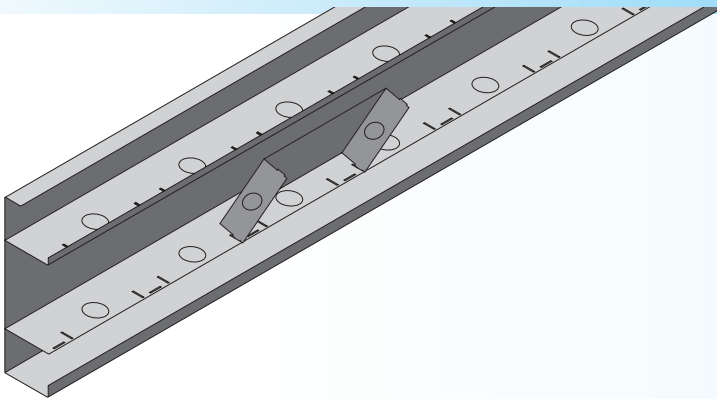
SURFACE MOUNTED SOCKET PLATE



SINGLE PLATE	150 x 50mm	175 x 50mm	200 x 50mm
No. of Compartments	2	3	3
Square	ASDSP62/2	N/A	ASDSP82/3
Chamfered	N/A	APDSP72/3	APDSP82/3

TWIN PLATE	150 x 50mm	175 x 50mm	200 x 50mm
No. of Compartments	2	3	3
Square	ASDTP62/2	ASDTP62/3	ASDTP82/3
Chamfered	N/A	APDTP72/3	APDTP82/3

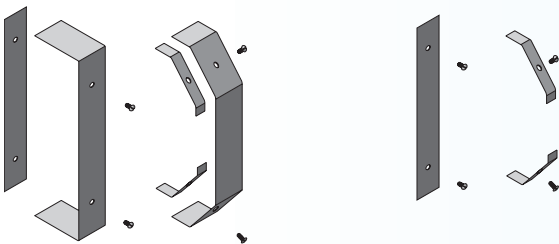
SEGREGATION BACK BOX



	150 x 50mm	175 x 50mm	200 x 50mm
No. of Compartments	2	3	3
Square	ASDSEG62/2	N/A	ASDSEG82/3

	150 x 50mm	150 x 50mm	200 x 50mm
No. of Compartments	2	3	3
Chamfered	N/A	APDSEG72/3	APDSEG82/3

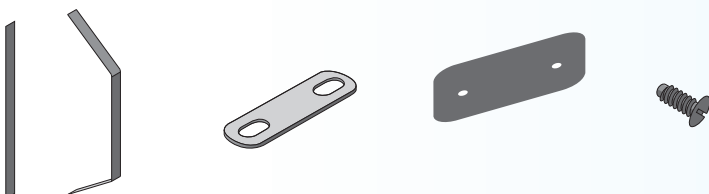
LID FIXING STRAP AND BRIDGE BRIDGE AND SCREW ONLY



Lid Fixing Strap & Bridge	150 x 50mm	150 x 50mm	200 x 50mm
No. of Compartments	2	3	3
Square	ASDLF62/2	ASDLF62/3	ASDLF82/3
Fixing Bridge & Screw (pr)	ASDFB62	ASDFB62	ASDFB82

Lid Fixing Strap & Bridge		175 x 50mm	200 x 50mm
No. of Compartments	N/A	3	3
Chamfered	N/A	APDLF72/3	APDLF82/3
Fixing Bridge & Screw	N/A	APDFB72	APDFB82

CABLE RETAINER EARTH LINK BODY COUPLER M3.5 SCREW



SQUARE	150 x 50mm	150 x 50mm	200 x 50mm
No. of Compartments	2	3	3
Cable Retainer	ASDCR62	ASDCR62	ASDCR82

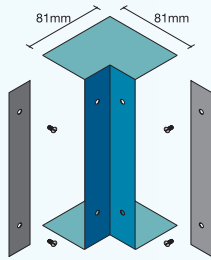
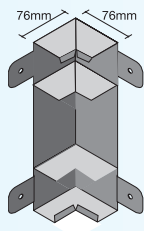
CHAMFERED		175 x 50mm	200 x 50mm
No. of Compartments	N/A	3	3
Cable Retainer	N/A	APDCR72	APDCR82

	Earth Link	Body Coupler	3.5mm Screw
Order Code	EL	ASKSC	M3.5

NB: Not to Scale

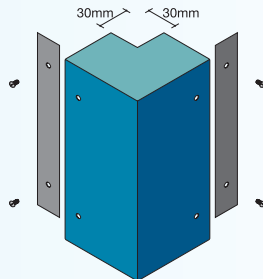
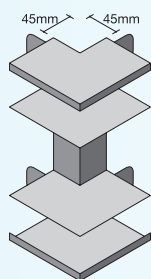
DADO TRUNKING

INTERNAL BEND



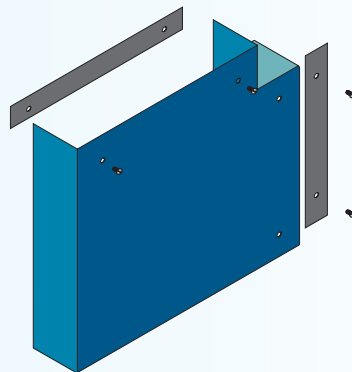
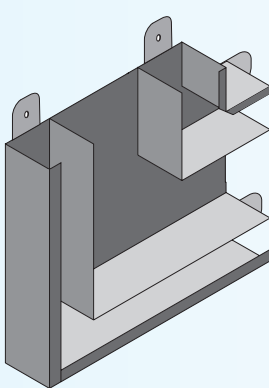
	150 x 50mm	150 x 50mm	200 x 50mm
No. of Compartments	2	3	3
Square	ASDBI62/2	ASDBI62/3	ASDBI82/3
	150 x 50mm	175 x 50mm	200 x 50mm
No. of Compartments	2	3	3
Chamfered	N/A	APDBI72/3	APDBI82/3

EXTERNAL BEND



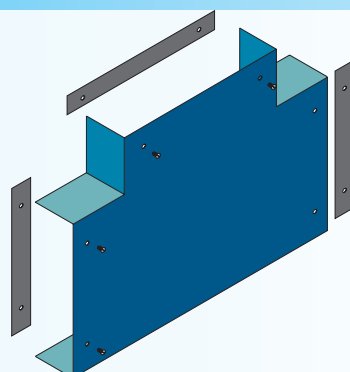
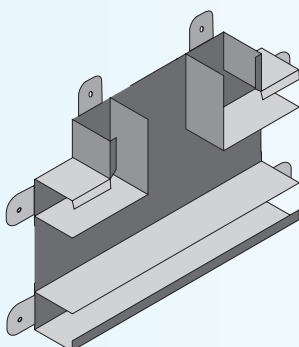
	150 x 50mm	150 x 50mm	200 x 50mm
No. of Compartments	2	3	3
Square	ASDBE62/2	ASDBE62/3	ASDBE82/3
	150 x 50mm	175 x 50mm	200 x 50mm
No. of Compartments	2	3	3
Chamfered	N/A	APDBE72/3	APDBE82/3

FLAT BEND - Left or Right Handed



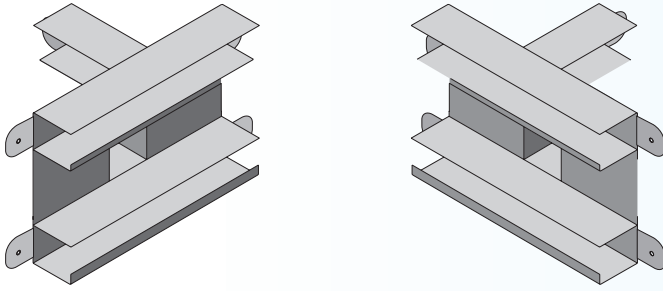
	150 x 50mm	150 x 50mm	200 x 50mm
No. of Compartments	2	3	3
Square	ASDFB62/2	ASDFB62/3	ASDFB82/3
	150 x 50mm	175 x 50mm	200 x 50mm
No. of Compartments	2	3	3
Chamfered	N/A	APDFB72/3	APDFB82/3

FLAT TEE



	150 x 50mm	150 x 50mm	200 x 50mm
No. of Compartments	2	3	3
Square	ASDFT62/2	ASDFT62/3	ASDFT82/3
	150 x 50mm	175 x 50mm	200 x 50mm
No. of Compartments	2	3	3
Chamfered	N/A	APDFT72/3	APDFT82/3

BACK ENTRY TEE - Left or Right Handed



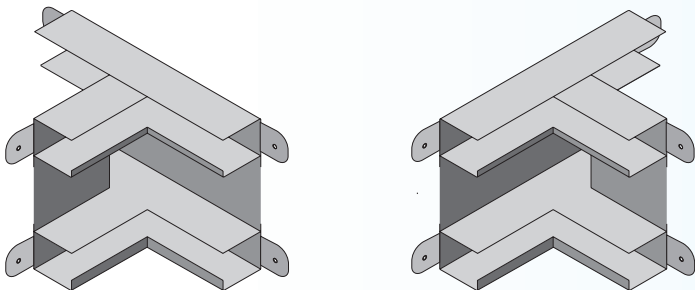
	150 x 50mm	150 x 50mm	200 x 50mm
No. of Compartments	2	3	3
Square	ASDBT62/2	ASDBT62/3	ASDBT82/3

	150 x 50mm	175 x 50mm	200 x 50mm
No. of Compartments	2	3	3
Chamfered	N/A	APDBT72/3	APDBT82/3



For Left or Right Hand add suffix /LH or /RH

CORNER TEE - Left or Right Handed



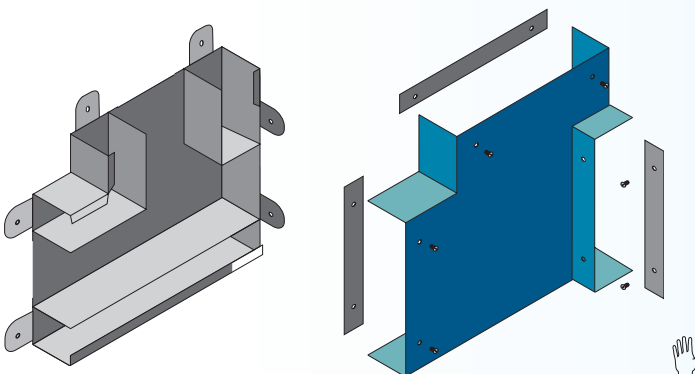
	150 x 50mm	150 x 50mm	200 x 50mm
No. of Compartments	2	3	3
Square	ASDCT62/2	ASDCT62/3	ASDCT82/3

	150 x 50mm	175 x 50mm	200 x 50mm
No. of Compartments	2	3	3
Chamfered	N/A	APDCT72/3	APDCT82/3



For Left or Right Hand add suffix /LH or /RH

RISING CORNER TEE



	150 x 50mm	150 x 50mm	200 x 50mm
No. of Compartments	2	3	3
Square	ASDRCT62/2	ASDRCT62/3	ASDRCT82/3

	150 x 50mm	175 x 50mm	200 x 50mm
No. of Compartments	2	3	3
Chamfered	N/A	APDRCT72/3	APDRCT82/3



For Left or Right Hand add suffix /LH or /RH

END CAP - Left or Right Handed



	150 x 50mm	150 x 50mm	200 x 50mm
No. of Compartments	2	3	3
Square	ASDEC62/2	ASDEC62/3	ASDEC82/3

	150 x 50mm	175 x 50mm	200 x 50mm
No. of Compartments	2	3	3
Chamfered	N/A	APDEC72/3	APDEC82/3

PEDESTAL BOXES

DESCRIPTION

A standard range of single and twin pedestal boxes augmented by a variety of alternative styles, finishes and socket outlets.

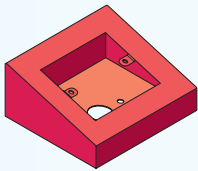
STANDARD SPECIFICATION

Material Electro coated steel: BS EN 10152:1994; DC01 ZE25/25AC; BS EN 10130:1991 18 gauge (1.2mm)
Finish Self-colour electro coated steel: BS EN 10152:1994; DC01 ZE25/25 AC; BS EN 10130:1991 or Epoxy powder coat in white, RAL 9003.

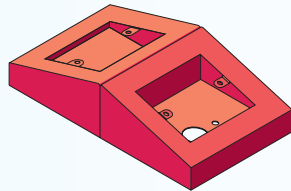
ALTERNATIVE SPECIFICATION

Finish Boxes may be epoxy powder coated in a wide range of colours.
Material Boxes may be manufactured in 1.2mm stainless steel to BS1449: Part 2:1983 Type 304, with mill finish 2A, bright, annealed or mill finish 2B, satin grained 180 to 220 grit size.

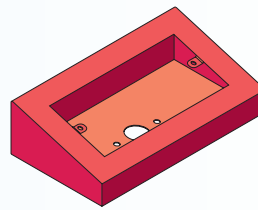
STANDARD RANGE OF SOCKETS



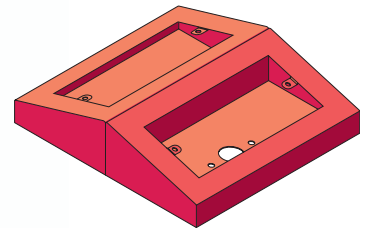
Single socket



Single socket back to back



Twin socket



Twin socket back to back

SINGLE SOCKET	
Order Code	APEDS/1

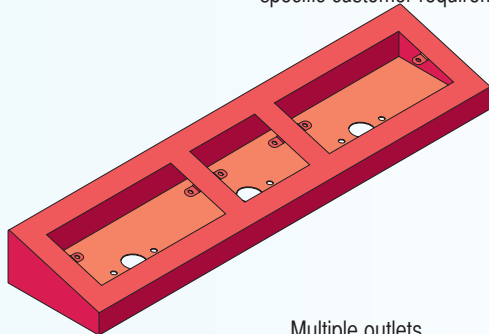
SINGLE SOCKET BACK TO BACK	
Order Code	APEDS/2

TWIN SOCKET	
Order Code	APEDT/1

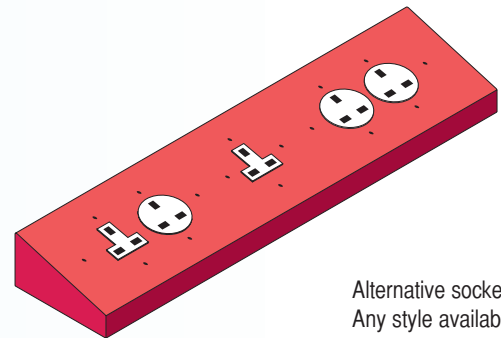
TWIN SOCKET BACK TO BACK	
Order Code	APEDT/2

OTHER STYLES

Armorduct has the capacity and skills necessary to manufacture a wide range of different pedestal boxes to meet specific customer requirements.



Multiple outlets

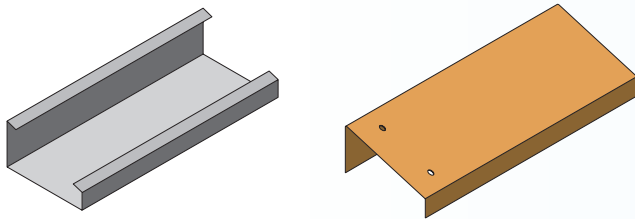


Alternative sockets
Any style available on request

BENCH TRUNKING STANDARD SPECIFICATION

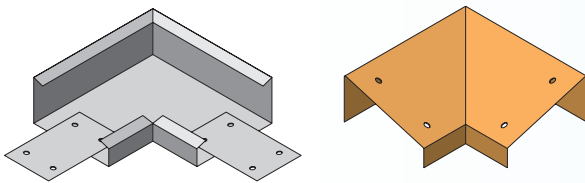
Material	Body:	Hot dipped galvanised sheet steel to BS EN10142:1991; Fe PO2G Z275NAC; BS EN 10143:1993 20 gauge (1.00mm)
	Lid:	Electro coated steel: BS EN 10152:1994; DC01 ZE25/25AC; BS EN 10130:1991; 18 gauge (1.2mm)
Finish	Body:	Self colour galvanised sheet steel to FePO2G. Z275NAC. Complies with BS4678 Part 1 1978 - Class 3 Heavy Protection against Corrosion.
	Lid:	Epoxy powder coat in white RAL 9003. 2c/3c Available upon request

BENCH TRUNKING



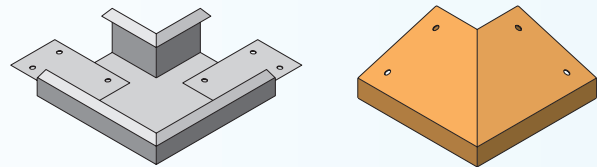
Size	140 x 70mm
No. of Compartments	1
	BT1

INTERNAL BEND



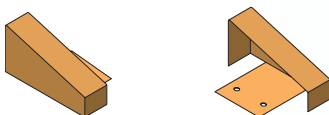
Size	140 x 70mm
No. of Compartments	1
	BTBI/1

EXTERNAL BEND




Size	140 x 70mm
No. of Compartments	1
	BTBE/1

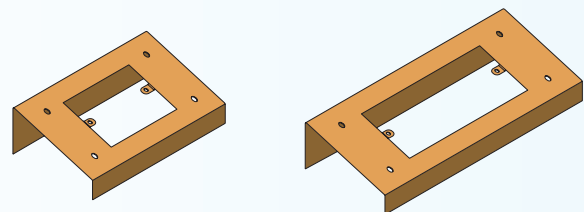
END CAP - LEFT AND RIGHT HANDED



Size	140 x 70mm
No. of Compartments	1
	BTEC/1

For Left or Right Hand add suffix /LH or /RH 

SURFACE MOUNTED SOCKET PLATES



Size	140 x 70mm
No. of Compartments	1
TWIN	BTTP/1
SINGLE	BTSP/1

Definitions

- 1.1 Buyer means the person who buys or agrees to buy the goods from the Seller.
- 1.2 Conditions mean the terms and conditions of sale set out in this document and any special terms and conditions agreed in writing by the Seller.
- 1.3 Delivery Date means the date specified by the Seller when the Goods are to be delivered.
- 1.4 Goods mean the Cable Management Products which the Buyer agrees to buy from the Seller.
- 1.5 Price means the price for the Goods excluding carriage, packing, insurance and VAT unless otherwise stipulated in writing.
- 1.6 Seller means Armorduct Systems Ltd.
- 1.7 Contract means the agreement entered into between the Seller and the Buyer for the sale and purchase of the Goods.

1. General

The Seller offers to sell the Goods described or referred to in the quotation submitted to the Buyer for the price or prices stipulated. Deliveries shall be made in accordance with the terms set out in the quotation or otherwise proposed by the Seller to the Buyer.

2. Variation

These Conditions of Sale apply to all Contracts for the sale of Goods and/or the supply of services entered into by Armorduct Systems Ltd. They shall apply to the exclusion of and in preference to all and any other terms, conditions or provisions enforced upon, delivered with or referred to in any purchase order, acceptance of order, letter or statement delivered or submitted by the Buyer on behalf of the Buyer or any counter offer made by the Buyer to the Seller whether in negotiation or at any stage in dealings between the Seller and the Buyer and the Seller will not be bound by any standard or printed terms, furnished by the Buyer in any of its documents at any stage in the negotiations or attached to any order submitted by the Buyer to the Seller Save to the extent that any amendment to or variation of the Seller's Terms and Conditions of Sale are expressly accepted in writing by the Seller.

3. Description

All descriptions of the Goods are given by way of identification only and the use of any such description shall not constitute a sale by description. The Seller maintains a policy of continuous product improvement and reserves the right to alter specifications of the Goods without notice at any time before delivery.

4. Sample

If a sample of the Goods has been exhibited to and inspected by the Buyer and/or has been seen working and in operation this Contract shall not constitute a sale by sample nor by reference to the working and operation of the Goods as seen by the Buyer.

5. The Price & Payment

- 5.1 The Price shall be the Seller's price quoted on any price lists available at the time of this quotation or the Price submitted by the Seller to the Buyer whichever shall be the higher and this shall remain valid for a period of 30 days from the date quoted to the Buyer.
- 5.2 Payment of the Price, VAT and all other monies due shall be made within 30 days of the date of invoice.
- 5.3 If the Buyer fails to pay for the Goods within the said 30 day period then the Seller may, without prejudice to any other such remedies available to it: by notice in writing to the Buyer withdraw all credit facilities then granted to the Buyer; and/or charge interest as the rate aforesaid; and/or enter any premises (whether or not of the Buyer) where any of the Goods which might not have been paid for in full (including Goods sold under other Contracts between the Seller and the Buyer) are stored or installed, and recover those Goods; and the Buyer shall use its best endeavours to procure (where required) a right of access for the Seller over any premises not owned or controlled by the Buyer and/or withhold further deliveries (or collections) of Goods ordered by the Buyer until all the Buyer's outstanding accounts with the Seller have been paid in full together with all interest.

6. Delivery

Delivery of the Goods shall be arranged by the Seller at the cost of the Buyer by carrier or such delivery service as the Seller shall nominate to the Buyer's address on the Delivery Date or to such other address as the Buyer shall have previously notified in writing to the Seller. The Buyer shall make all arrangements to take delivery of the Goods and shall ensure reasonable space and area and turning facilities for the delivery vehicles.

7. Acceptance of Goods

- 7.1 No Goods delivered to the Buyer which are in accordance with this quotation and the Contract will be accepted for return without the prior written approval of the Seller on terms to be determined at the absolute discretion of the Seller.
- 7.2 If the Seller agrees to accept any such Goods for return the Buyer shall be liable to pay (in addition to any other charges) a re-stocking and storage charge. Such Goods must be returned by carriage paid to the Seller in their original shipping carton or crate.
- 7.3 Goods returned without the prior written approval of the Seller may at the Seller's absolute discretion be returned to the Buyer or stored at the Buyer's cost without prejudice to any other rights or remedies the seller may have.
- 7.4 If the Buyer properly rejects any of the Goods which are not in accordance with the contract and the agreed specification for the Goods the Buyer shall nevertheless, pay the full price for such Goods unless the Buyer gives written notice of rejection of the Goods to the Seller within three days of delivery to the Buyer's premises (as to which time shall be of the essence)
- 7.5 Returns must be actioned within 30 days of the delivery date.
- 7.6 Any items defined by the Seller as a special or non-standard are non-refundable.

8. Warranties Description and Liability

- 8.1 The Goods shall be manufactured and supplied in accordance with the description contained or described in the Seller's brochures and/or specification (which have been supplied or made available to the Buyer).
- 8.2 The Seller may from time to time make changes in the specification of the Goods which are required to comply with any applicable safety or statutory requirement or which do not materially reduce the quality or fitness for purpose of the Goods.
- 8.3 The Goods are sold with the benefit of the terms of the appropriate Warranty for the Goods supplied to the Buyer: -
a) from the date of shipment to the Buyer
- 8.4 If the Seller's engineer upon request of the Buyer is requested to attend the Buyer's premises and inspect the Goods and installation thereof but no fault is found then the Buyer will be charged for the cost incurred by the Seller for the visit and inspection of such engineer.
- 8.5 Except where the Buyer is dealing as a consumer as defined in the Unfair Contract Terms Act 1977 as amended or varied from time to time all other warranties conditions or terms relating to fitness for purpose merchantability description condition or otherwise and whether applied by statute or implied by Common Law or otherwise are hereby excluded.

9. Loss or Damage in Transit

The Seller shall not be liable for any damage, loss, non-delivery or shortage suffered by the Goods whilst in transit unless the Buyer has given written notice of any claim to the Seller within 3 days of delivery (or of the scheduled delivery date in the case of total non-delivery), or within such longer period as the Seller may notify to the Buyer which is sufficient to enable the Seller to comply with its carrier's requirements for claims.

10. Retention of Title

- 10.1 The Goods shall be at the Buyer's risk from the time of delivery.
- 10.2 Notwithstanding the delivery of the Goods to the Buyer the property and title in the Goods shall remain with the Seller and shall not pass to the Buyer until:

- (a) The Buyer shall have paid the Price plus VAT and all other monies due in full; and
- (b) Shall have paid all other sums outstanding and due from the Buyer to the Seller.
- 10.3 Until the title, property and the Goods are passed to the Buyer in accordance with these provisions the Buyer shall:
- (a) Hold the Goods in a fiduciary capacity as the Seller's bailee;
- (b) Where this is practicable shall store the Goods separately from other goods, so that they may be readily identified as the Seller's property;
- (c) Upon demand, return the Goods to the Seller or allow the Seller's authorised personnel and vehicles access to any premises where they may be stored in order to recover them and provide facilities for their collection and recovery as may be reasonable and properly required.
- (d) Not resell or otherwise deal with the Goods, except with the written consent of the Seller provided that if the Buyer shall nevertheless deal with or sell the Goods whether or not with the Seller's consent the entire proceeds of sale or otherwise of the Goods shall be held in trust for the Seller and shall not be mixed or intermingled with any other money of the Buyer or paid into any overdrawn Bank Account and shall be maintained separately and at all material times shall be identified as the Seller's money.
- (e) The Buyer shall not pledge or in any way charge by way of security any of the Goods.
- (f) The Buyer shall insure and keep insured the Goods to their full price and value against all reasonable risk to the reasonable satisfaction of the Seller until the date when the property and title in the Goods passes from the Seller to the Buyer and shall produce evidence thereof to the Seller upon request.
- (g) The Buyer shall keep the Goods in good order and repair and functioning properly pending the date when the property entitlement shall pass to the Buyer.

11. Trade Marks

The Buyer shall not remove, alter, deface or tamper with any of the marks, names or numbers affixed to or marked on the Goods, or allow anyone else to do so.

12. Force Majeure

If manufacture and/or delivery is delayed by any cause beyond the reasonable control of the Seller a reasonable extension of time for delivery shall be granted and the Buyer shall (if reasonably required) pay such reasonable extra charges as shall have been occasioned by the delay.

13. Installation

The Seller will only be liable in respect of installation for the Goods carried out by itself, its employees, agents or authorised or approved contractors or sub-contractors, but will not be liable in any case where there are direct contractual relations between the Buyer and any other party not being the Seller. The Buyer shall be responsible for the safety of the personnel of the Seller or of its sub-contractors whilst on the Buyer's premises or the premises where the Goods are being installed, and shall comply with all relevant statutory requirements and shall maintain adequate insurance against the appropriate risks and as required by law.

14. Liability and Limitation

The Seller shall be under no liability whatever to the Buyer for any indirect loss and or expense (including loss of profit) suffered by the Buyer rising out of a breach by the Seller of this Contract and in the event of any breach of this Contract by the Seller the remedies of the Buyer shall be limited to damages only and in no circumstances shall the liability of the Seller exceed the price of the Goods.

15. Jurisdiction

This Contract is subject to the law of England and Wales.



MANUFACTURING the **difference**

All information is believed to be correct at the time of publication.
Errors and omissions excepted.

We reserve the right to alter technical details without prior notice.
© Armorduct Systems Limited 2021



Building 9 The Pensnett Estate Kingswinford West Midlands DY67TG
sales@armorduct.com **01384 233445** www.armorduct.com