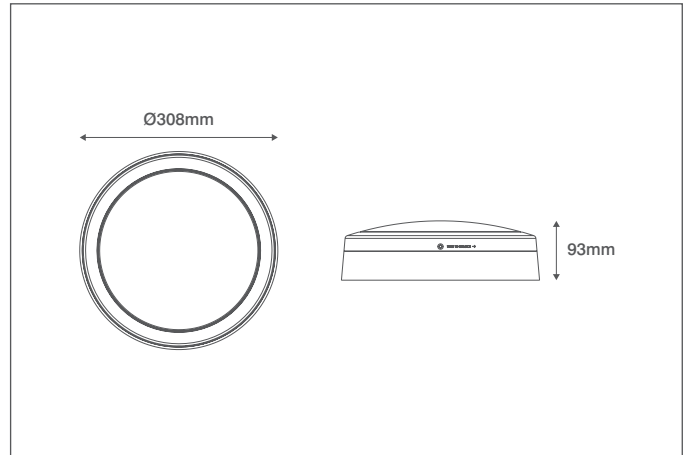


INCEPTOR® EVO

Technical Specification

Product Code: OV9500WH9

Description: 10W LED Utility Bulkhead IP65 CW White



General Information

Dimensions (mm)	308 (Dia.) x 93 (D)
Materials	Base, Outer Ring, Circular Facia & Diffuser: Polycarbonate (UV Stabilised); Gear Tray, Driver Housing & Cable Grip: Polycarbonate (UV Stabilised); LED Array: Aluminium Substrate; Moisture Seal: Silicone
Finish	White (RAL 9010)
Product Weight (Kg)	1.41
Cutout Diameter (mm)	282
Recess Depth (mm)	80
Ingress Protection	IP65
Impact Rating (IK)	08
Flammability Rating	Tp(a)
Mounting	Ceiling or Wall and Surface or Semi-recessed
Warranty (Years)	5

Supply & Power Information

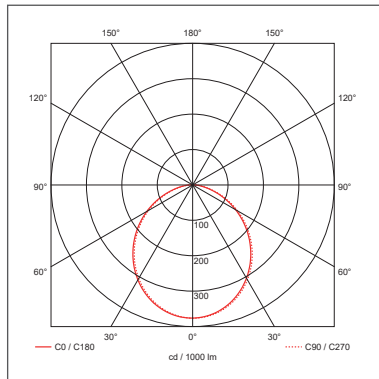
Input Voltage & Frequency (V~ / Hz)	220-240 50/60
Safety Class	II
Circuit Wattage (W)	10
LED Wattage (W)	10
Input Current (mA)	148
Operating Temperature (°C)	-5 to +45
Driver Information	Integrated
Prewired Flow™ Connector	4 Pole CT203-F With Loop Screw Terminals

Luminaire Output

Colour Temperature (K)	4200
Colour Render Index (CRI)	68.4
Typical Luminous Flux (lm)	1210
Efficacy (lm/W)	121
Beam Angle (°)	120
LED Lifetime (L70) (Hours)	50000

Compatible Accessories

- OV9001BK/WH - Circular Metal Housing For Inceptor® EVO - Black or White
- OV9002BK/WH - Eyelid Metal Housing For Inceptor® EVO - Black or White
- OV9003BK/WH - Grille Metal Housing For Inceptor® EVO - Black or White



Ovia Limited, Scolmore House, Mariner, Lichfield Road Industrial Estate, Tamworth, Staffordshire, B79 7UL United Kingdom

T: +44 (0)1827 300640

E: sales@oviaUK.com | W: oviaUK.com