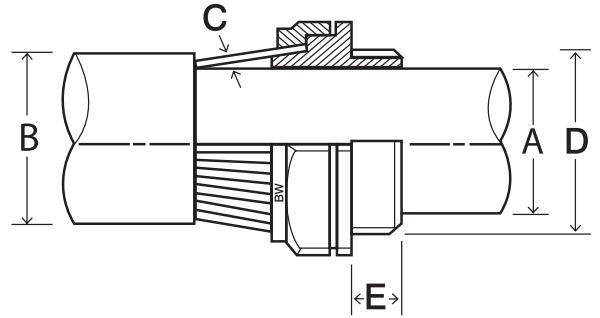
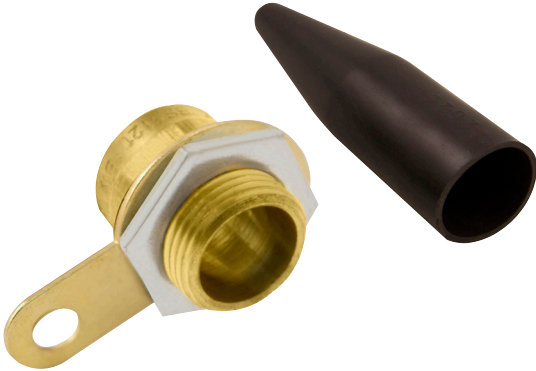


Product Code: QBW32

Description: BW Armoured Industrial Brass Glands 32mm (PK2)

**Dimensions**

Cable Dia. Max. (A)	26.2mm
Cable Dia. Max. (B)	34.4mm
Armour Wire Dia. (C)	1.6/2.0mm
Gland Size (D)	32mm
Entry Thread (E)	10mm

**Materials**

Gland Body & Earth Tag: Brass  
Locknut: Steel  
Sleeve: PVC (Polyvinyl Chloride)

**General Information**

Ingress Protection	IP30
Temperature Rating	-80°C - +600°C

**Packaging Overview**

Polybag Of 2 Gland Kits

**Standards**

BS 6121-1:2005  
BS EN 60529: 1992 + A2: 2013

**Directives**

RoHS 2: 2011/65/EU & RoHS 3: 2015/863/EU  
REACH: 1907/2006/EU

