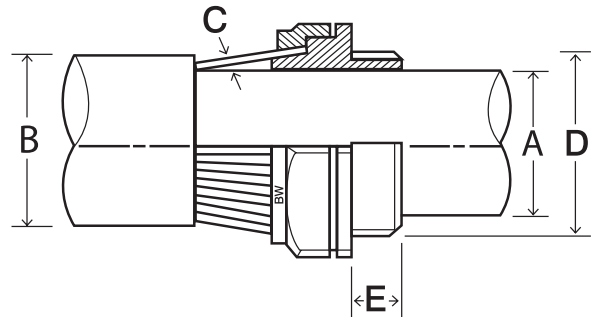


Product Code: QBW50

Description: BW Armoured Industrial Brass Gland 50mm (PK1)



Dimensions

Cable Dia. Max. (A)	44mm
Cable Dia. Max. (B)	55.7mm
Armour Wire Dia. (C)	2.0/2.5mm
Gland Size (D)	50mm
Entry Thread (E)	15mm

Materials

Gland Body & Earth Tag: Brass
 Locknut: Steel
 Sleeve: PVC (Polyvinyl Chloride)

General Information

Ingress Protection	IP30
Temperature Rating	-80°C - +600°C

Packaging Overview

Polybag Of 1 Gland Kit

Standards

BS 6121-1:2005
 BS EN 60529: 1992 + A2: 2013

Directives

RoHS 2: 2011/65/EU & RoHS 3: 2015/863/EU
 REACH: 1907/2006/EU

