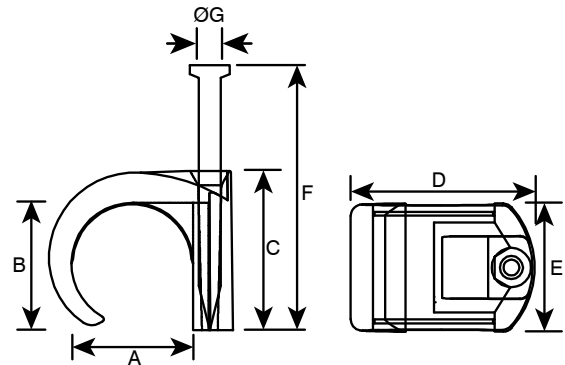


Product Code: QRC14

Description: 14 - 20mm (Round Cable) Cable Clips - White



Dimensions (mm)

A	B	C	D	E	F	ØG
13.1	13.7	17.1	19.8	13.7	35	2

Materials

Body: Polypropylene

Nail: Hardened Steel Plated

General Information

Colour:	White
Suitable Cable Sheathing Size	14mm - 20mm Diameter
Temperature Rating	-20°C - +70°C

Additional Information

- High grade tough polyethylene for low temperature flexibility
- Long nail for good pull out value
- Thick steel nail prevents snapping
- Stress crack resistant
- Chemical inertness

Packaging Overview

Box Of 50 Clips

Directives

RoHS 2: 2011/65/EU & RoHS 3: 2015/863/EU

REACH: 1907/2006/EU