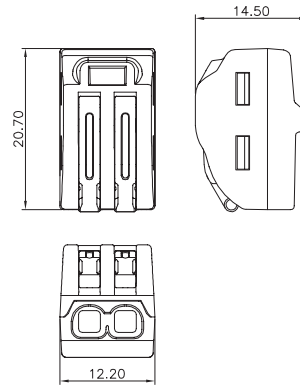


Product Code: QL2322

Description: 32A 450V Transparent 2 Port Lever Wire Connectors

**Dimensions (mm)**

Width	12.2mm
Height	14.5mm
Depth	20.7mm

Materials

Body: Polycarbonate
Levers: Polyamide 66
Terminals: Tinned Copper

General Information

Conductor Strip Length	10mm
Number of Ports	2 Inline
Current Rating (Max)	32A
Voltage (Max)	450V~
Conductor Cable Size Range	0.2 - 4.0mm ² Stranded or Solid Core
Temperature Rating	85°C Max.
Flammability Rating	UL94V-0

Packaging Overview

Box Of 50 Connectors

Standards

EN 60998-1:2004
EN 60998-2-2:2004

Directives

RoHS 2: 2011/65/EU & RoHS 3: 2015/863/EU
REACH: 1907/2006/EU

