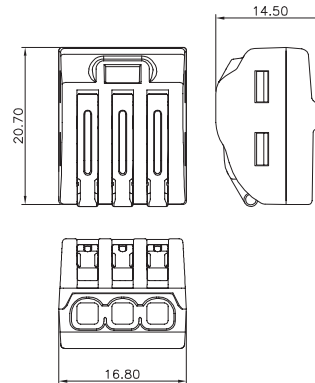


Product Code: QL3322

Description: 32A 450V Transparent 3 Port Lever Wire Connectors



**Dimensions (mm)**

Width	16.8mm
Height	14.5mm
Depth	20.7mm

**Materials**

Body: Polycarbonate  
Levers: Polyamide 66  
Terminals: Tinned Copper

**General Information**

Conductor Strip Length	10mm
Number of Ports	3 Inline
Current Rating (Max)	32A
Voltage (Max)	450V~
Conductor Cable Size Range	0.2 - 4.0mm <sup>2</sup> Stranded or Solid Core
Temperature Rating	85°C Max.
Flammability Rating	UL94V-0

**Packaging Overview**

Box Of 50 Connectors

**Standards**

EN 60998-1:2004  
EN 60998-2-2:2004

**Directives**

RoHS 2: 2011/65/EU & RoHS 3: 2015/863/EU  
REACH: 1907/2006/EU

