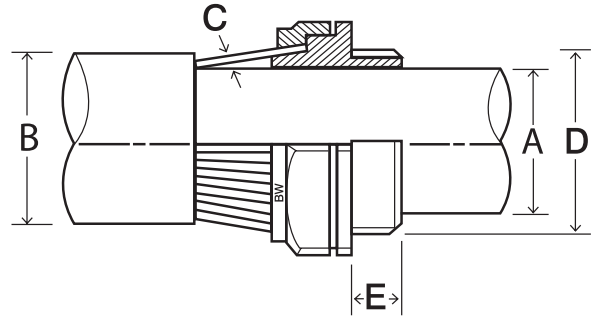


Product Code: QBW20S

Description: BW Armoured Industrial Brass Glands 20(S)mm (PK2)

**Dimensions**

Cable Dia. Max. (A)	11.6mm
Cable Dia. Max. (B)	16.1mm
Armour Wire Dia. (C)	0.9/1.25mm
Gland Size (D)	20mm
Entry Thread (E)	10mm

Materials

Gland Body & Earth Tag:	Brass
Locknut:	Steel
Insert & Sleeve:	PVC (Polyvinyl Chloride)

General Information

Ingress Protection	IP30
Temperature Rating	-80°C - +600°C

Packaging Overview

Polybag Of 2 Gland Kits

Standards

BS 6121-1:2005
BS EN 60529: 1992 + A2: 2013

Directives

RoHS 2: 2011/65/EU & RoHS 3: 2015/863/EU
REACH: 1907/2006/EU

