

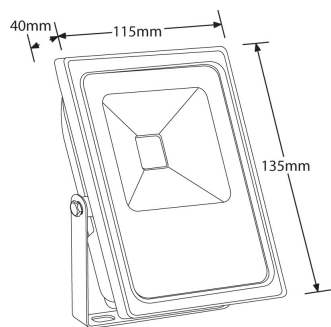


**Product Description:** Helius™ 10W Adjustable IP65 Floodlight

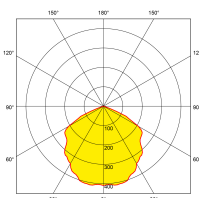
The Helius™ range of floodlights are perfect for both residential and commercial IP65 applications. Their slim profile and clean black finish make them as unobtrusive as possible. Available in 10W, 30W, 50W, 100W, 200W and 300W versions with black housing.

SKU Code	Wattage	Colour	Lumens	Lumens/Watt	Beam Angle	Finish Colour	SKU Type
EN-FL10A/40	10	4000	750	75	120	Black	Non Dimmable

**Line Drawing**



**Polar Curve**



**Color**

## Product Features:

- IP65 rated LED floodlight rated with slim design
- Durable high quality paint minimises impact of corrosion
- Tempered glass provides excellent protection
- Die-cast aluminium housing
- Pre-wired with 800mm of cable
- 1.5kV surge protection
- Warning Note: Not suitable for post top mounting
- 3 year warranty

## Product Specs:

Input Voltage	110~240V AC	Input Frequency	50/60HZ
Power Factor	0.9	IP Rating	IP65
Lifetime L70 (hrs)	25000	IK Rating	IK08
Lamp Base	None	Width (mm)	115
Height (mm)	135	Weight (Kg)	0.584
Product Type	Floodlights		

## Compliance & Approvals:



## Warranty:

This product has a warranty period of 3 Years. Warranties may be available on certain products as indicated in the product description. Warranties are valid from the date of purchase. The warranty is invalid in the case of improper use, installation, tampering, removal of the Q.C. date label or installation in an improper working environment or installation. Should this product fail during the warranty period it will be replaced free of charge, subject to the correct installation of the original product and subsequent return of the faulty unit. Aurora does not accept responsibility for any installation costs associated with the replacement of this product and Aurora reserves the right to alter specifications without prior notice.