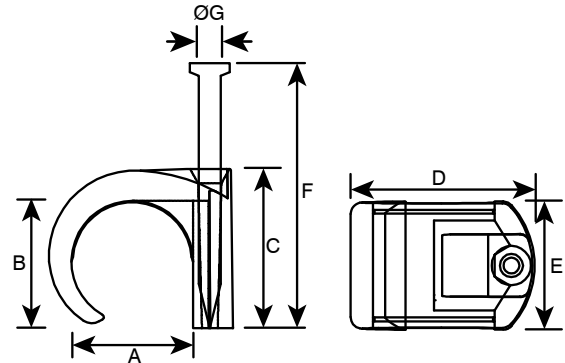


Product Code: QRC13

Description: 14 - 20mm (Round Cable) Cable Clips - Black



Dimensions (mm)

A	B	C	D	E	F	ØG
13.1	13.7	17.1	19.8	13.7	35	2

Materials

Body: Polypropylene

Nail: Hardened Steel Plated

General Information

Colour:	Black
Suitable Cable Sheathing Size	14mm - 20mm Diameter
Temperature Rating	-20°C - +70°C

Additional Information

High grade tough polyethylene for low temperature flexibility
 Long nail for good pull out value
 Thick steel nail prevents snapping
 Stress crack resistant
 Chemical inertness

Packaging Overview

Box Of 50 Clips

Directives

RoHS 2: 2011/65/EU & RoHS 3: 2015/863/EU

REACH: 1907/2006/EU