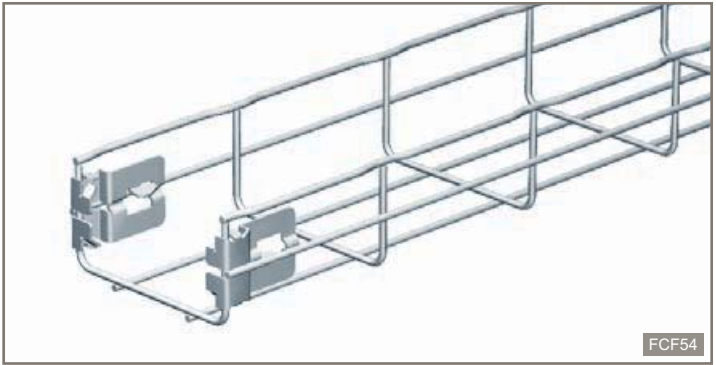
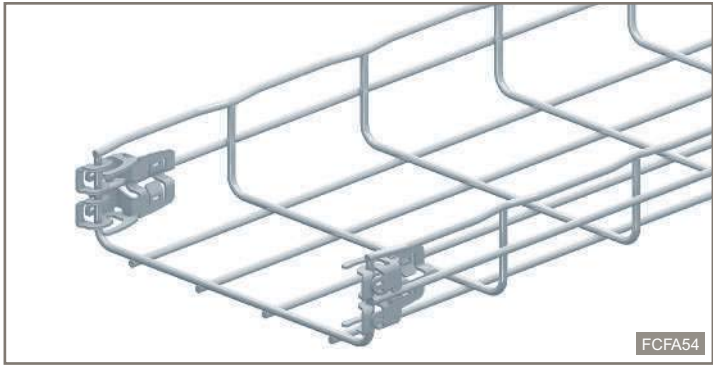


**NEW**

**straight lengths – FCFA54 (FASCLIC AUTO)**

**straight lengths – FCF54 (FASCLIC)**



Loading graphs **p. 40**  
Dimensions and technical information **p. 40**

Loading graphs **p. 41**  
Dimensions and technical information **p. 41**

**NOTE : please use Cat. No. when placing your order**

**NOTE : please use Cat. No. when placing your order**

Pack	Cat. Nos.		<b>FCFA54 – straight lengths (3 m)</b>	
	<b>EZ</b>	<b>GC</b>	$\updownarrow 54 \text{ mm}$	$\curvearrowright 50 \text{ mm} \rightarrow 600 \text{ mm} \rightleftarrows 3 \text{ m}$
				Width (mm)
1	CM082061	-	FCFA54/50	50
1	CM082071	-	FCFA54/100	100
1	CM082081	-	FCFA54/150	150
1	CM082091	-	FCFA54/200	200
1	CM082101	-	FCFA54/300	300
1	CM082201	-	FCFA54/400	400
1	CM082251	-	FCFA54/450	450
1	CM082301	-	FCFA54/500	500
1	CM082401	-	FCFA54/600	600

Pack	Cat. Nos.		<b>FCF54 stainless steel – straight lengths (3 m)</b>	
	<b>304L</b>	<b>316L</b>	$\updownarrow 54 \text{ mm}$	$\curvearrowright 50 \text{ mm} \rightarrow 300 \text{ mm} \rightleftarrows 3 \text{ m}$
				Width (mm)
1	CM081068	CM081064	FCF54/50	50
1	CM081078	CM081074	FCF54/100	100
1	CM081088	CM081084	FCF54/150	150
1	CM081098	CM081094	FCF54/200	200
1	-	CM081104	FCF54/300	300

**Key :**

<b>EZ</b> Electrogalvanising after manufacture	<b>304L</b> Stainless steel 304L
	<b>316L</b> Stainless steel 316L

For detailed information related to finishes, refer to **p. 116-117**

All dimensions (mm) are nominal