

Architectural Exterior Range

Installation guide for exterior In-ground light range

JCC | a **LEVITON** company

Important information

- It is recommended that luminaires are installed by a qualified electrician to ensure the installation complies with the local current wiring regulations.
- Any broken or damaged parts should be replaced as soon as possible. JCC will not accept responsibility for claims arising from sub-standard installations.
- These products are designed for connection to a 100-277V~ 50/60Hz supply.
- The light source of this luminaire is not replaceable: When the light source reaches the end of its life, the whole of the luminaire must be replaced.
- This luminaire is suitable for indoor and outdoor use.
- It may be necessary to upgrade your MCBs to allow for increased inrush current.

INSTALLATION

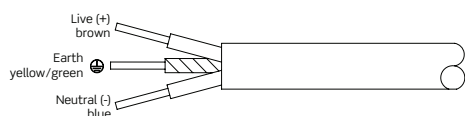
ENGLISH

Specifications Colour temp: 3000K Ra: 80

Product code	Wattage	Lumens	LpcW
JC17026	7W	100	14
JC17027	7W	150	21
JC17028	7W	200	29
JC17029	7W	600	86
JC17034	24W	1800	75

100-277V~ 50/60Hz / Class I

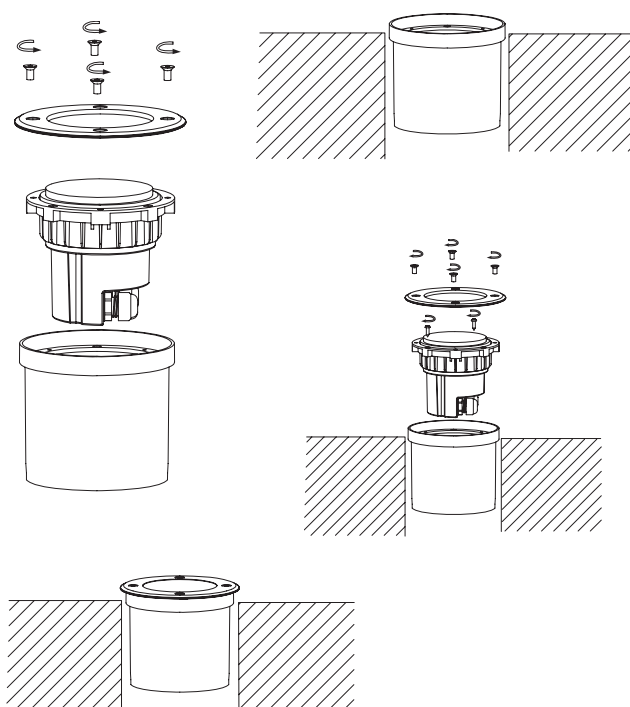
Figure 1. Mains input



Terminal block must comply to EN 60998-2-1 or EN 60998-2-2

Terminal block specification:

Number of Ways	3
Mounting Type	Through Hole
Pitch	8mm
Current Rating	24A
Termination Method	Screw Down
Wire Size	2.5 mm ²
Material	Nylon
Voltage Rating	380 V
Maximum Operating Temperature	+125°C
Contact Material	Brass
Contact Plating	Nickel

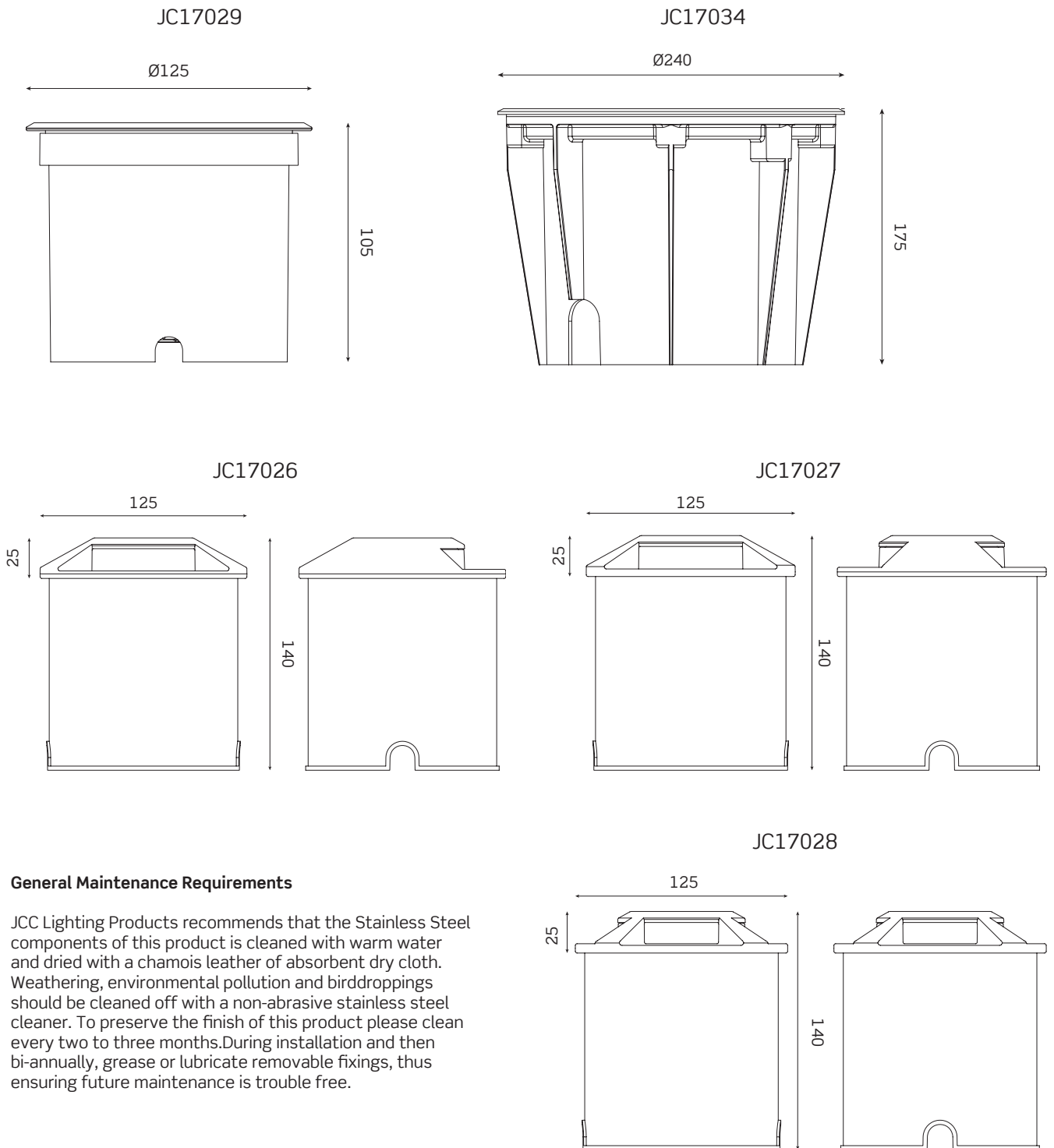


- Read instructions and check that you have all of the tools and accessories required to complete the installation correctly. Isolate power supply before starting the installation.

Installation procedure

1. Remove body and main head from the outer casing. Do this by removing screws for JC17029/34 to remove chrome plate or firming pulling head from body for other fittings.
2. Secure the outer housing into position with concrete or cement.
3. Terminate wiring using suitable IP connector.
5. Re-secure the body to the housing.
6. Wipe clean surfaces with a clean dry cloth.
7. Turn mains supply on and test luminaire.

Profile & Dimensions



General Maintenance Requirements

JCC Lighting Products recommends that the Stainless Steel components of this product is cleaned with warm water and dried with a chamois leather or absorbent dry cloth. Weathering, environmental pollution and bird droppings should be cleaned off with a non-abrasive stainless steel cleaner. To preserve the finish of this product please clean every two to three months. During installation and then bi-annually, grease or lubricate removable fixings, thus ensuring future maintenance is trouble free.

All dimensions in millimetres

Important warranty information

The Architectural exterior range is supported by a 3 year warranty; which must be registered online at jcc.co.uk/warranty.

The installer will be asked to provide the following information, which is detailed on a label attached to the luminaire's chassis: Product Code/Batch Code.