

AL900 Series Electric Releases



The AL900 series electric releases are an ANSI style door release, complete with stainless steel short or long faceplates for use in metal or timber frame applications. The electric release is designed to work with most leading brand mortice night latch locks.



For fire rating please order intumescent pack SINAL900-1MM.

Features & Benefits

- 1000lbs Holding Force (4448N / 434kgf)
- Fire rated for use on 30min timber doors opening inward and outward – Fire Test Assessment Report No WF 432 749 by Warrington Fire
- Fire rated for use on 60 min timber doors (Report with GE Door Manufacturer)
- Performance tested to EN14846
- CE marked and EMC tested
- Easy installation
- 12/24V AC / DC on site settable
- AC Fail Secure only selectable
- DC Fail Safe/Fail Secure selectable
- Long and short faceplates are included
- Easy replacement for most leading brand ANSI electric releases
- Supplied with 250mm of cable
- 10, 25 & 50mm extension lips available
- Dimensions – H 201.5 x W 32 x D 33mm

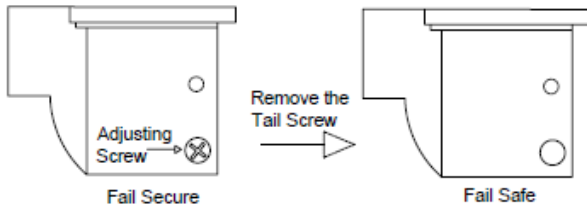
Each electric release is supplied as fail secure operation but can easily be changed to fail safe by the simple removal of a screw. The releases is also available two forms of monitoring, latch (AL900M) or latch with door position versions (AL900DM). The electric releases can also be set 12V or 24V by simply reconfiguring the wires in a different order.

Stock Code	Description
AL900	Fail Locked/Unlocked with long and short face plate
AL900M	Fail Locked/Unlocked (Monitored) with long and short face plate
AL900DM	Fail Locked/Unlocked (Dual Monitored) with long and short face plate
SINAL900-1MM	Intumescent for FD30 & FD60 Fire Doors
AL900-EL10	Extension Lip (10mm)
AL900-EL25	Extension Lip (25mm)
AL900-EL50	Extension Lip (50mm)

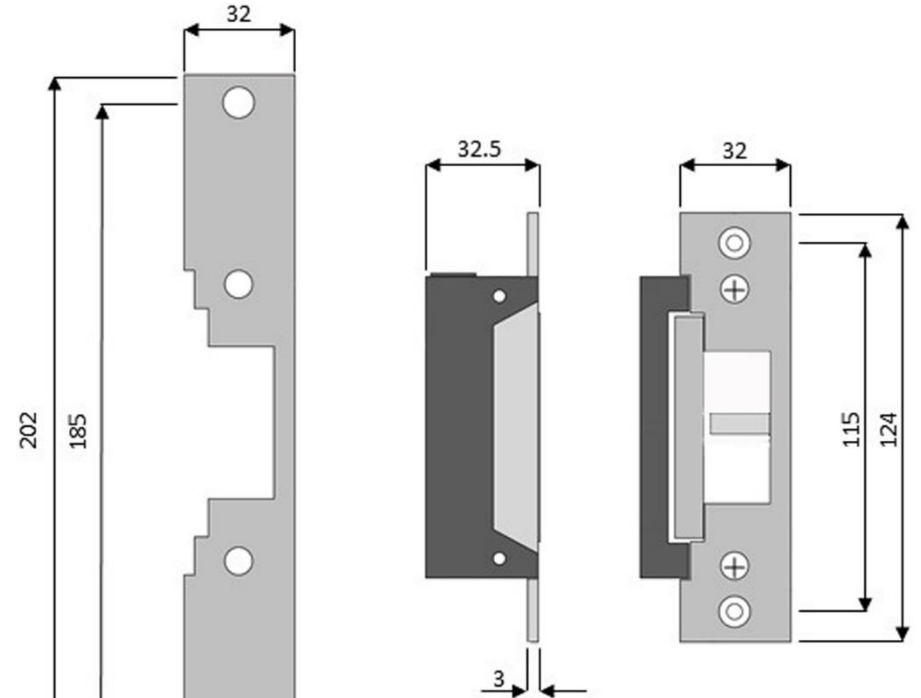
AL900 Series Electric Releases

Changing from Fail Secure to Fail Safe

Default Setting is for Fail Secure Mode.



Compatible Mortice Night latches			
Securefast	Alpro	Adams Rite	Assa
SEU511/2/3/4	A5245101/2/3/4	AAR4710/1/2/3/400	SA8761/50/70
SEU771	A5245701/2/3/4	AAR4750/1/2/3/400	
SEU1092.2			
SEU1094.2			
SM1230			
SLA520			



For further information contact:

Securefast plc
 6, The Cedars Business Centre
 Avon Road, Cannock
 Staffordshire
 WS11 1QJ



Call > +44 (0) 1704 502 801

Email > sales@securefast.co.uk

Visit > www.securefast.co.uk