

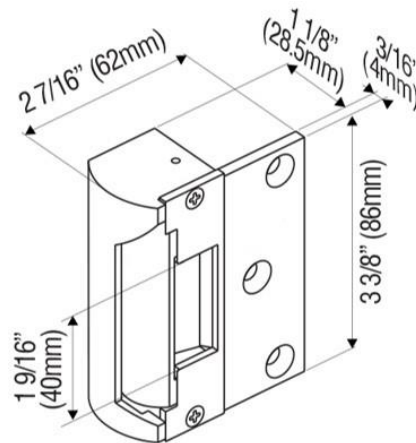
AH113 Deedlock Rim Electric Release for Timber Frames



AH113

The Deedlock Rim Electric Release can be used on 12V DC systems, and are fail lock/fail unlock changeable in the field. Suitable for use with most rim night latches on Inward opening doors.

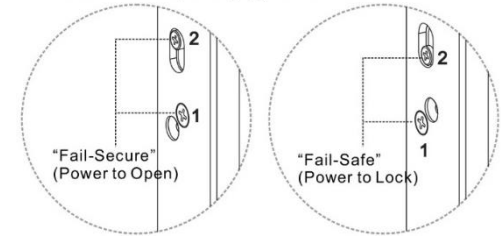
The electric release is designed to be used with rim night latches with a maximum latch bolt projection of 15mm.



Features & Benefits

- Holding Force – 4448N (1000lbf / 434kgf)
- Voltage 12V DC – 250mA current draw
- Fail lock/Fail unlock changeable on site
- CE Marked
- Suits inward opening timber door
- Black finish with stainless steel jaw
- Tested to over 1 million cycles
- Operating temperature: -10°C~+45°C
- Net weight 220g

Field selectable by changing position of screws



For further information contact:

Securefast plc
 6, The Cedars Business Centre
 Avon Road, Cannock
 Staffordshire
 WS11 1QJ



Call > +44 (0) 1704 502 801

Email > sales@securefast.co.uk

Visit > www.securefast.co.uk

Stock Code	Description
AH113	Rim Electric Release 12V DC Fail Locked/Unlocked for Inward Opening Timber Doors