

# iCONstant

Continuous Ventilation - suitable for any room



## Key Features

- From 10dB(A) the quietest dMEV fan available
- Selectable trickle flow rates 22/29/47 m<sup>3</sup>/hr. Boost up to 72 m<sup>3</sup>/hr
- Just over £1.00 per year to run on trickle speed
- Constant volume - Guaranteed to deliver installed performance
- The only IPX5 dMEV fan rated for both wall and ceiling installs
- Timer and Humidity versions. Two minute delay start (boost) option
- Memory retained in event of a power cut
- LED self diagnostics and 'fine tune' commissioning option of flow rate
- Complies with Building Regulations
- SAP Appendix Q eligible
- 3 year warranty

## iCONstant.

Based on our very successful iCON brand, we have developed the quietest dMEV fan available for toilet/bathroom and utility room installation bringing incredibly low sound levels to this market sector. The fan is perfect in the kitchen too. Utilizing the very latest motor technology and incorporating advanced features we have been able to produce an energy efficient fan that will help eliminate the problems of condensation by continuously extracting the damp air that is the source of the problem.

The iCONstant boasts features that reduce human intervention and ensure the fan is always operating at the optimum level whatever the circumstances of the installation. This is perfect for the social housing sector where specifiers, landlords and tenants all seek a ventilation solution that is energy efficient, economical to run and quiet to operate.

iCONstant, the virtually silent, low energy dMEV fan from Airflow – packed with features – results guaranteed.



## Models

<b>Timer</b>	On boost timer can be set to run on for 2, 15, 30 or 40 minutes
<b>Humidity Timer</b>	Intelligent humidity sensor adjustable between 60% and 90%. On boost, timer can be set to run on for 2, 15, 30 or 40 minutes

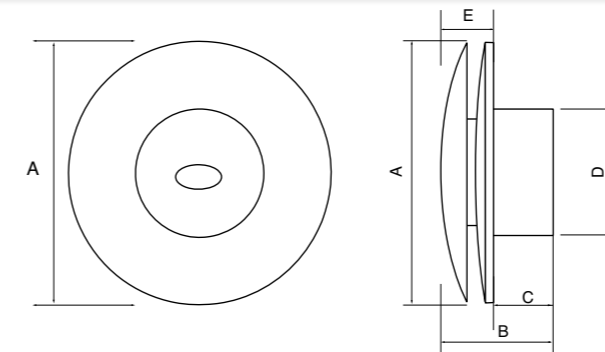


Cover removed showing LED self diagnostics and 'fine tuning' commissioning functionality

## Technical Data

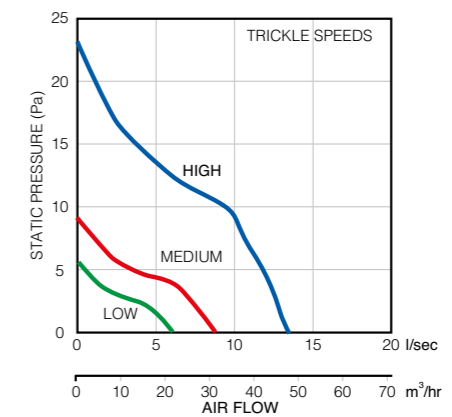
Specification	iCONstant		
Air flow m <sup>3</sup> /hr (trickle/boost)	22 / 29	29 / 47	47 / 72
Air flow l/sec (trickle/boost)	6 / 8	8 / 13	13 / 20
Fan type	Axial		
Controls	Timer/ Humidity Timer		
Sound pressure dB(A)@3m	10 / 15	15 / 28	28 / 38
Power watts	1.07 / 1.21	1.21 / 1.68	1.68 / 2.90
Amps	3		
Calculated Specific Fan Power (SFP)	0.18 / 0.15	0.15 / 0.13	0.13 / 0.14
Building Regulations ADF	Yes		
Duct diameter (mm)	100		
Voltage	100/240V-50/60Hz		
Rating (wall and ceiling)	IPX5		
Weight (kg)	0.55		
Dimensions (H x W x D) mm	197 x 197 x 120		
Part No.	72687117 (T)	72687118 (HT)	

## Dimensions (mm)



Model	A	B	C	D	E
iCONstant	197	120	70	100	50

## Performance



## SAP Appendix Q Performance

Unit configuration	Location	Fan speed setting	Specific fan power (W/l/s)
In room (rigid duct)	Kitchen	13 l/s	0.18
	Wet room	8 l/s	0.19
In room (flexible duct)	Kitchen	13 l/s	0.20
	Wet room	8 l/s	0.19
Through wall (rigid duct)	Kitchen	13 l/s	0.15
	Wet room	8 l/s	0.16

source: BRE

## Controls and Accessories

A range of accessories including flexible and rigid ducting kits, controls, switches and grilles are available.

See accessories for more details.