

CHOICE - FSTAT1 - Frost Room Thermostat

User Instructions

Bimetallic frost room thermostat designed to give automatic frost protection to boilers and pipework. The thermostat should be fitted in the coldest areas, eg:- loft space, floor voids, garages etc.

Specification

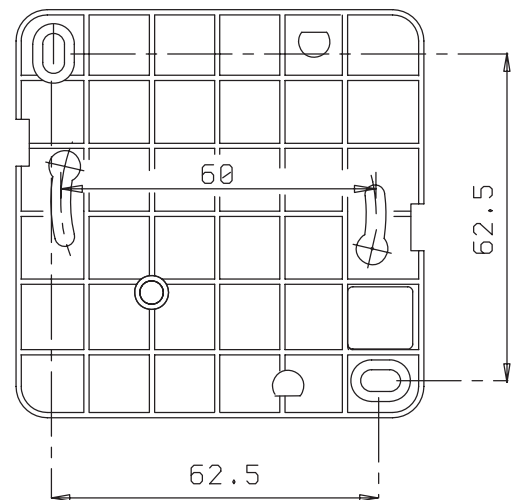
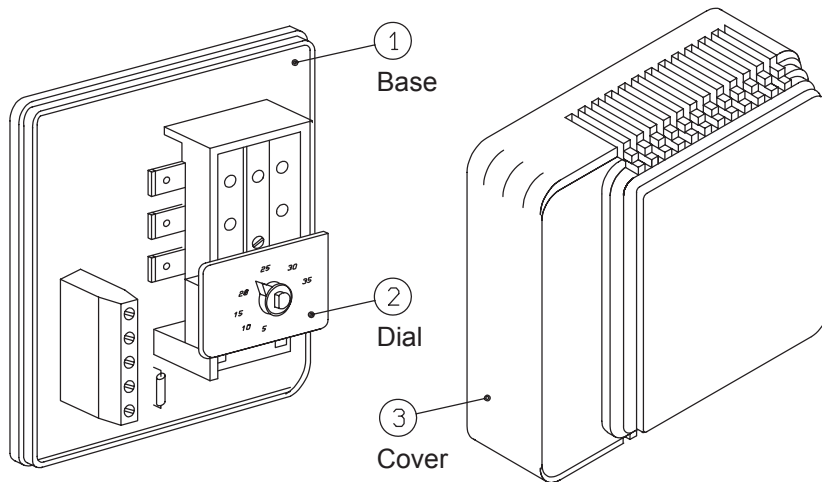
Temperature Control Range:	-5 to 25°C
Power Source:	230Vac, 50Hz
Load Rating (1-3):	10A / 250Vac
Ambient Max:	T50
Protection Rating:	IP20

The Product must be installed by a competent person in line with the latest IEE regulations. Isolate mains before commencing installation.

Wiring

- Terminal 1 = Live In
- Terminal 2 = Not Used
- Terminal 3 = Heater Load
- Terminal 4 = Neutral

The thermostat is provided with an accelerating resistance which must be connected in order to obtain the accurate performance. The terminal 4 has thus to be connected to the neutral.



Technical Helpline: 01475 745131



SERVICE AND WARRANTY

Your product is not user serviceable. PLEASE DO NOT TRY TO DISMANTLE THE UNIT. This product is guaranteed by your supplier for 5 years from the Date of Manufacture. If it should become defective, please contact your installer or supplier for a replacement unit or visit www.sangamo.co.uk/returns.

CUSTOMER CARE POLICY

As part of Sangamo's continuous improvement program, the Company operates a Customer Care Policy. This means that we welcome your comments and complaints, as it can help us to improve our services to you, our customer.

Due to our policy of continuous product improvement and development, the specifications in this guide may be subject to change without prior notice.

Sangamo Limited, Industrial Estate, Port Glasgow, Renfrewshire PA14 5XG

Tel: 01475 745131 Fax: 01475 744567

Email: enquiries@sangamo.co.uk Web: www.sangamo.co.uk