

Wall detectors - Motion detectors 1-channel

Indoor180N-R/2W



pure white glossy, similar to RAL9010 , Part No. 92716

Product Information

- Wall motion detector with acoustic sensor
- With removable frame cover
- Relay version with 2-wire technology thanks to inbuilt battery
- Acoustic sensor independently adjustable
- Noise automatically extends follow-up time
- Mounted frame, removable cover and arc extinction kit included
- **Application examples:** monitoring of public lavatories, corridors, archive rooms, conference rooms

Technical Data

Voltage:	110 - 240 V AC 50 / 60 Hz 4xNiMH / 1.2V / 200mAh
Dimensions:	88 x 88 x 46 mm
Power consumption:	< 1 W
Detection area:	horizontal 180° (Wall mounting)
Range:	max. 10 m across max. 3 m towards
Monitored area (tangential movement):	150 m ² / 1.1 m mounting height

Mounting height min./max./recommended: 1 m / 2.2 m / 1.1 m

Degree / class of protection: IP20 / Class II

Ambient temperature: +5 °C to +45 °C

Housing: polycarbonate, UV-resistant

Channel 1 (lighting control)

Switching power: 2300 W, $\cos \varphi = 1$ (at <30 W with added arc extinction kit)
1150 VA, $\cos \varphi = 0.5$ (< 4 ballasts, added arc extinction kit required)
300 W LED
max. inrush current I_p (20 ms) = 165 A
max. inrush current I_p (200 μ s) = 800 A

Type of contact: μ -contact, NO contact with tungsten pre-make contact

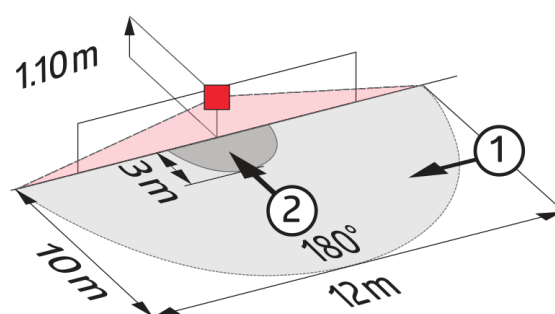
Follow-up time: 15 sec - 60 min

Switch-on threshold: 10 - 2000 Lux

Description

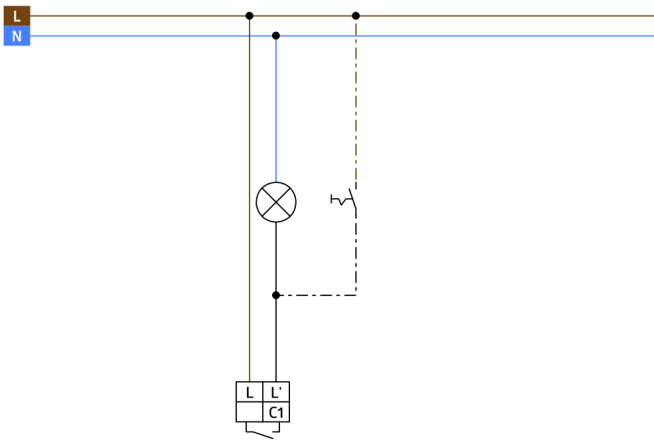
Description	Colour	Part number	EAN number
Indoor 180N-R/2W-UK covering included	pure white glossy, similar to RAL9010	92716	4007529927166

Dimensions 92716



Range diagram

- 1: Walking across
- 2: Walking towards



Wiring diagramms

© 2021 B.E.G. Brück Electronic GmbH