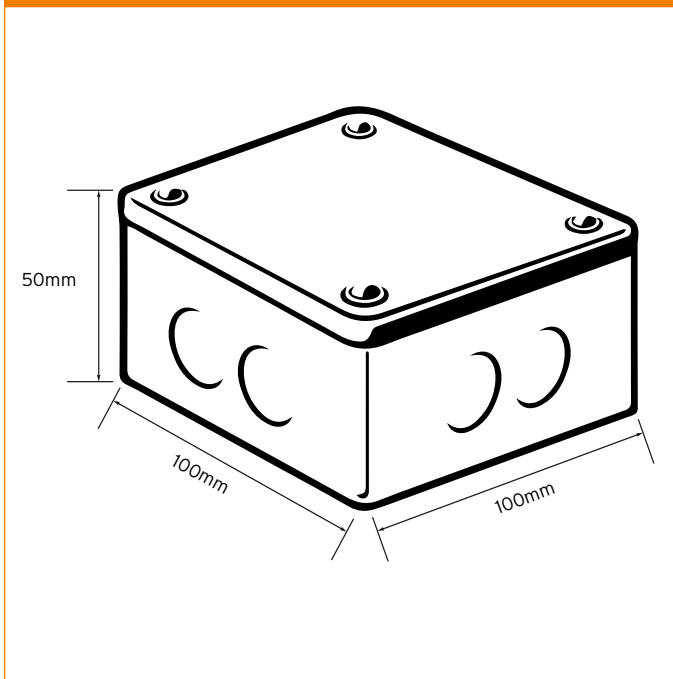




ABG442

Adaptable Box

Technical Drawing



Technical Specifications

Finish	Galvanised
Material	Steel
Type	12 x M20
IP Rating	IP54 (when used with rubber seal)
Standard of Compliance	BS 4568
Dimensions	100 x 100 x 50 (L x W x D)