

PANEL COMPONENTS

PUSH-BUTTON STATION MHSS1NC



Control station for surface mount. Mushroom headed pushbutton with twist to release operation. ABS plastic construction

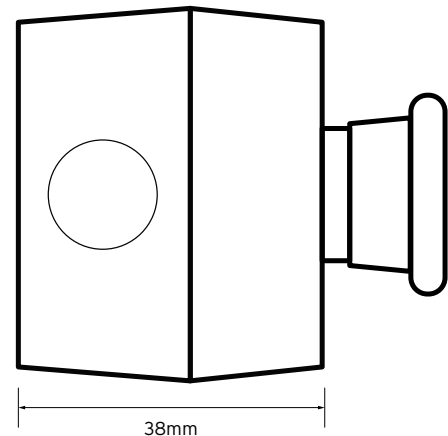
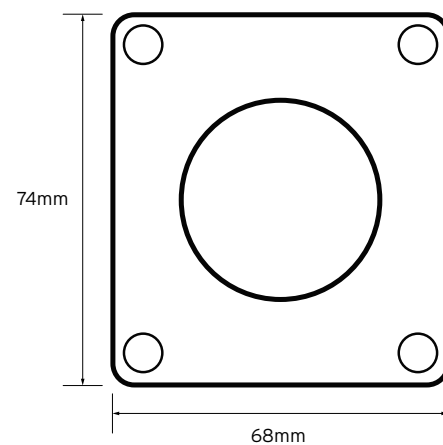
General Characteristics

Standard	EN 60947-5-1
Contact configuration	1 NC
Rated current I _m	10A
Rated voltage U _i	500V
Operating force	10N; additional 5N
Contact operation	Slow action / positive opening
Knockouts	1 x 20mm top and bottom
Terminal Capacity	up to 1.5mm ²
Ingress protection	IP65
Height	74mm
Width	68mm
Depth	38mm
Depth including head	70mm
Construction	ABS Plastic
Weight	0.25Kg

Available Accessories

PA-CB1NC	Contact block 1N/O
PA-CB1NO	Contact block 1N/C

Technical Drawing



Additional Information

This product is for use by skilled persons or instructed persons. The installation of this product must comply with current IEE regulations. Terminals, including those factory fitted, must be checked for correct tightness before commissioning. All terminals should be periodically checked for correct tightness. The data herein serves only to describe the product and should not be regarded as representing guaranteed properties in the legal sense. We reserve the rights of modification, whilst every care has been taken in ensuring the accuracy of this catalogue, the Supplier accepts no liability whatsoever for any eventuality arising from errors or omissions within its catalogues, brochures or within any online presence.