

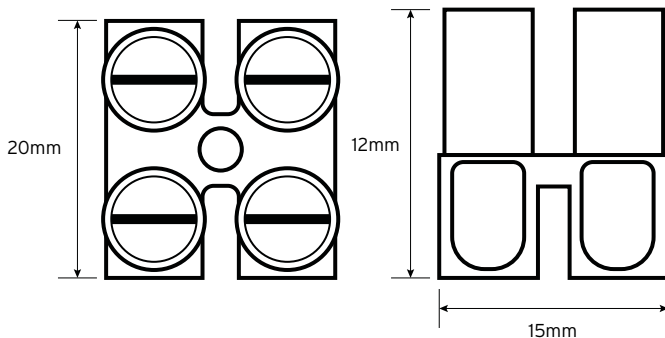
niglon

Wiring Accessories

PN2 12 Way Connector Terminal Economy Range



Technical Drawing



Technical Specifications

Rated insulation voltage	450V
Rated current	32A
Rated connecting capacity	4.0mm ²
Smallest cross-sectional area	0.5mm ²
Screw terminals	Screw Connection
Number of conductors in clamping unit	1x
Number of poles	2 - 12
Ambient temperature	T110/T135/T150
Screw diameter	2.5mm
Material of insulation	PP/PA66V2/PA66V0
Size	12mm High x 15mm Wide x 20mm Deep