



APRILEDP/G/SC



Features

220-240V dimmable LED 4 CCT selectable fire rated gimbal

30° tilt angle

Remote driver with 2x1.5mm² + CPC loop-in, loop-out colour coded push fit piano terminals provide an easy and efficient installation

Detachable LED driver for fast fix install

Low profile design and remote driver allow installation into shallow ceiling voids

Fully tested for 30, 60 and 90 minute ceiling types to meet Part B of building regulations

Fully tested to meet Part E (acoustic) and Part L (energy) of Building Regulations

Wide 60° beam angle for increased light distribution

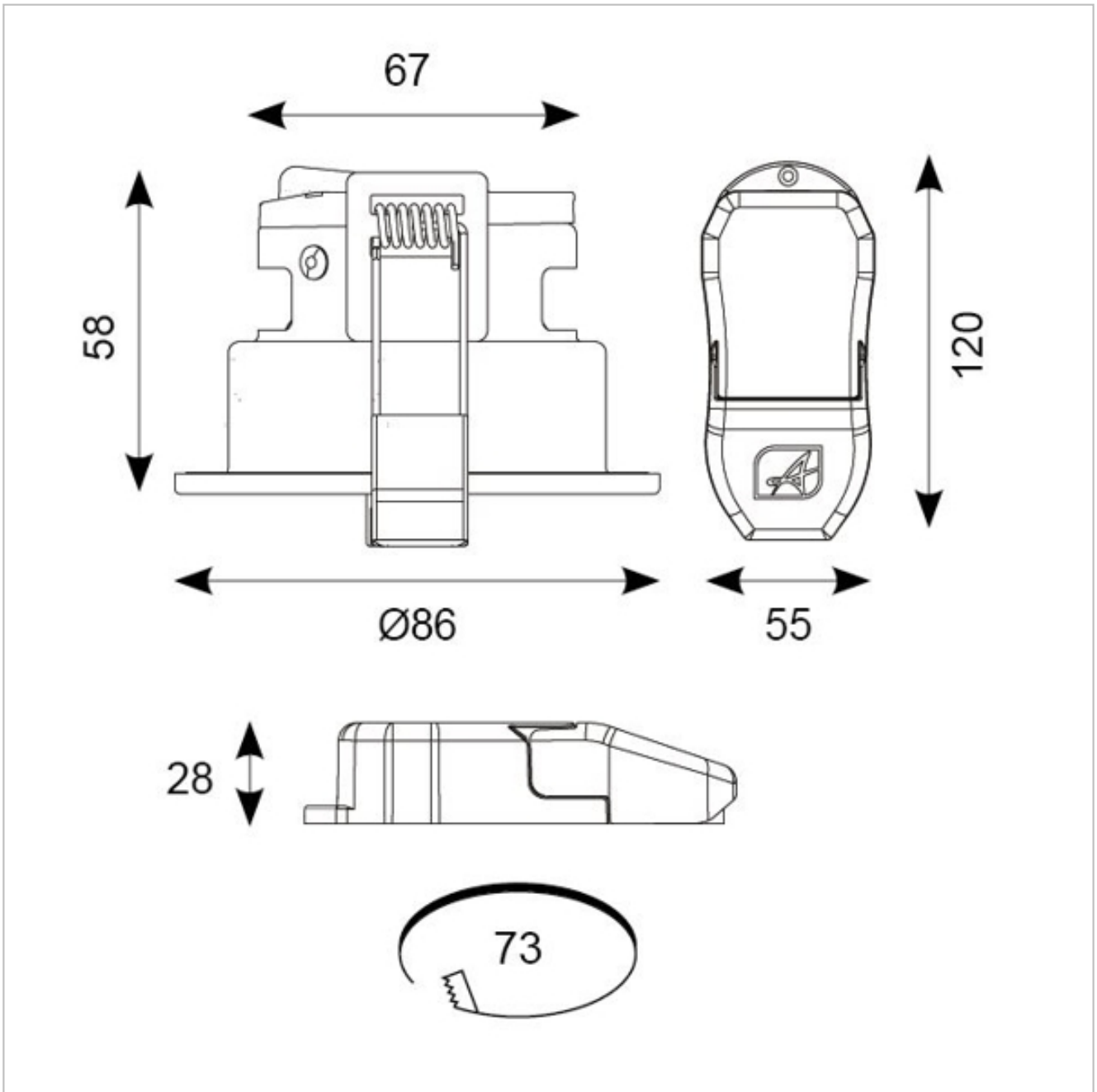
LED lifespan L70 60,000 hours

General Information

Lamp Type	LED
Colour / Finish	Satin Chrome
Dimmable	Yes
Fire Rated	Yes
OCTO Compatibility	Smart Indoor controller
IP Rating	IP20
Class Protection	1
Internal / External	Internal
Surface / Recessed / Suspended	Recessed
Warranty (Years)	5
CE Mark	Yes
Diameter (mm)	86
Height (mm)	58
Accessories	AORBLED/DIMMER

Technical Information

Wattage	7W
Lumens Delivered	620lm(2700K) 655lm(3000K) 698lm(4000K) 659lm(6000K)
Lm/W	89lm(2700K) 94lm(3000K) 100lm(4000K) 94lm(6000K)
Beam Angle	60
CRI	Ra 80
CCT	2700K/3000K/4000K/6000K
Input	230V
Hertz	50/60Hz
Operating Temp	-5°C to 25°C



Datasheet generated from <https://onetimepim.com> last updated Friday, July 30, 2021 11:32:14 AM